

**Serie | 2, wall-mounted cooker hood,
60 cm, Stainless steel
DWB65BC50A**



Optional accessories

DHZ5325 : Standard recirculation kit
DSZ6200 : CleanAir Recirculation Kit

**Canopy rangehood: performance and
matching kitchen design bundled in one
rangehood.**

- **LED lighting:** for perfect, energy-efficient illumination of the cooktop.
- With exhaust, the air is cleaned by a grease filter and then ducted to the outside which ensures optimal kitchen air quality.
- 3-Speed Power Level Options To Suit Your Cooking Style And Recipes

Technical Data

Typology :	Chimney
Approval certificates :	CE
Length electrical supply cord (cm) :	150
Height of the chimney (mm) :	655-1035/655-1035
Height of product, without chimney (mm) :	53
Minimum distance above an electric hob :	650
Minimum distance above a gas hob :	750
Net weight (kg) :	16.413
Type of control :	mechanical
Number of speed settings :	3
Maximum output air extraction (m3/h) :	612
Number of lights :	2
Noise level (dB) :	69
Diameter of air outlet (mm) :	150
Grease filter material :	Washable aluminium
EAN code :	4242005184941
Connection Rating (W) :	216
Voltage (V) :	220-240
Frequency (Hz) :	50
Plug type :	AU plug
Installation typology :	Wall-mounted



4 242005 184941

Serie | 2, wall-mounted cooker hood, 60 cm, Stainless steel DWB65BC50A

Canopy rangehood: performance and matching kitchen design bundled in one rangehood.

Design & Innovation

- Box design
- Appliance colour: Stainless steel

Power and Mode of Operation

- 3 power settings
- Push button controls for power and light
- Extraction rate exhaust air according to EN 61591: max. 580 m³/h
- Extraction rate in recirculation mode: Max. normal use: 278 m³/h
- Ducted and recirculated-air operation
- For recirculated extraction optional recirculation kit (accessory) needed
- Noise level according to EN 60704-3 und EN 60704-2-13 at max. normal use exhaust air: 69 dB(A) re 1 pW (55 dB(A) re 20 µPa sound pressure)
- Noise level in recirculation mode: Max. normal use: 66 dB(A) re 1 pW (52 dB(A) re 20 µPa sound pressure)

Convenience

- 2 x 3 Watt LED Lights
- Dishwasher safe metal grease filters
- Noise min./max. Normal Level: 48/69 dB

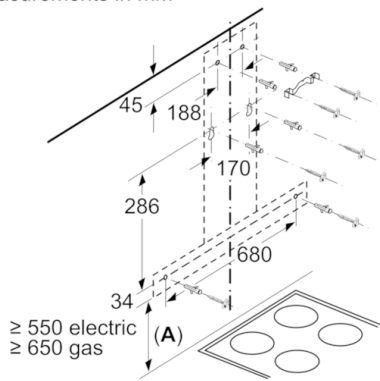
2 year warranty

Technical Information

- Appliance width: 598 mm
- Dimensions exhaust air (HxWxD): 450-830 x 598 x 500 mm
- Dimensions recirculating (HxWxD): 550-830 x 598 x 500 mm
- Energy Efficiency Class: C (at a range of energy efficiency classes from A++ to E)
- Average Energy Consumption: 91 kWh/year
- Diameter pipe Ø 150 mm (Ø 150 mm enclosed)
- Power rating: 216 W
- Electrical cable length 1.5 m

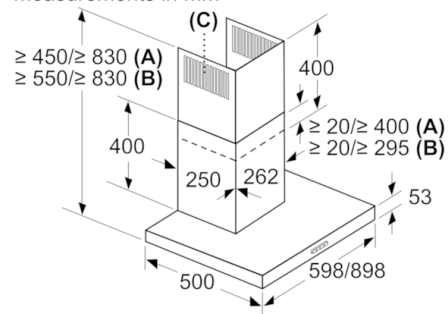
**Serie | 2, wall-mounted cooker hood, 60 cm,
Stainless steel
DWB65BC50A**

measurements in mm



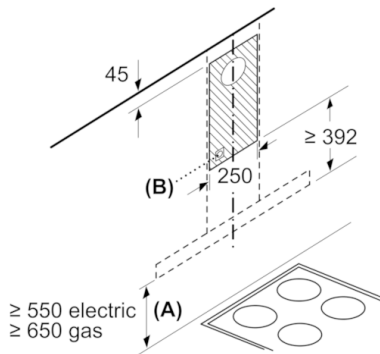
A: from upper edge of pan support

measurements in mm



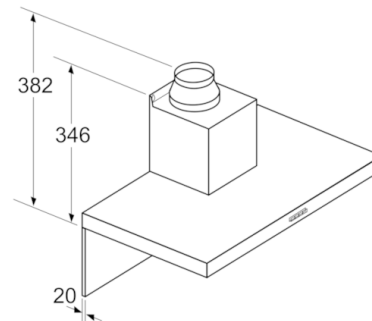
A: Exhaust air
B: Circulated air
C: Air outlet – slots for exhaust air
to be mounted facing down

measurements in mm



A: from upper edge of pan support
B: Socket

measurements in mm



If a back panel is used, the design
of the appliance must be considered.