

CVIA618RNX2

45CM DOLCE STIL NOVO WINE CELLAR
RIGHT-HAND HINGE

MADE IN ITALY

Since 1948



EXTERNAL TEMPERATURE CONTROL

Smeg wine cellars feature a user-friendly touch-control display on the outside of the door glass, which allows access to change temperature, humidity and light without opening the door. This prevents changes in the internal temperature, reduces vibration and exposure to UV rays.

18 BOTTLE CAPACITY

Storage of up to 18 Bordeaux (750ml) bottles. Perfectly shaped housings provide ample storage for different shaped bottles. Champagne and magnums can be stored horizontally without risk of sliding.

PREMIUM OAK SHELVES

Telescopic sliding oak shelves allow for easy placement, storage and removal. The smooth movement prevents disturbance of wine sediment. Made in Italy, these racks are crafted from the same oak as traditional wine barrels.

UV RESISTANT GLASS

Thanks to Smeg's Eclipse black-glass technology, wine is perfectly shielded. The layered glass protects wine from damaging light and gives maximum transparency. Solar light and UV rays can alter a wine's structure, ruining its balance and flattening its scent.

VIBRATION PROTECTION

Smeg wine cellars are equipped with an ultra-quiet cooling system which keeps vibrations down to a minimum. Even the smallest vibrations can affect wine by lifting sediments. This causes different components to mix, altering the balance developed during the ageing period.

Dimensions	596mmW x 448mmH x 554mmD
Finish	Black eclipse glass with stainless steel trim
Display	LED Display with External touch control
Warranty	Five years parts and labour

Colours Available



CVIA618RNR2
Copper Trim
Right Hinge



CVIA618RNX2
Stainless Steel Trim
Right Hinge



CVIA618LNR2
Copper Trim
Left Hinge



CVIA618LNX2
Stainless Steel Trim
Left Hinge



CVIA618RNX2 shown with CPS615NX sommelier drawer

CVIA618RNX2

45CM DOLCE STIL NOVO WINE CELLAR

RIGHT-HAND HINGE

MADE IN ITALY
Since 1948

WINE CELLAR FEATURES

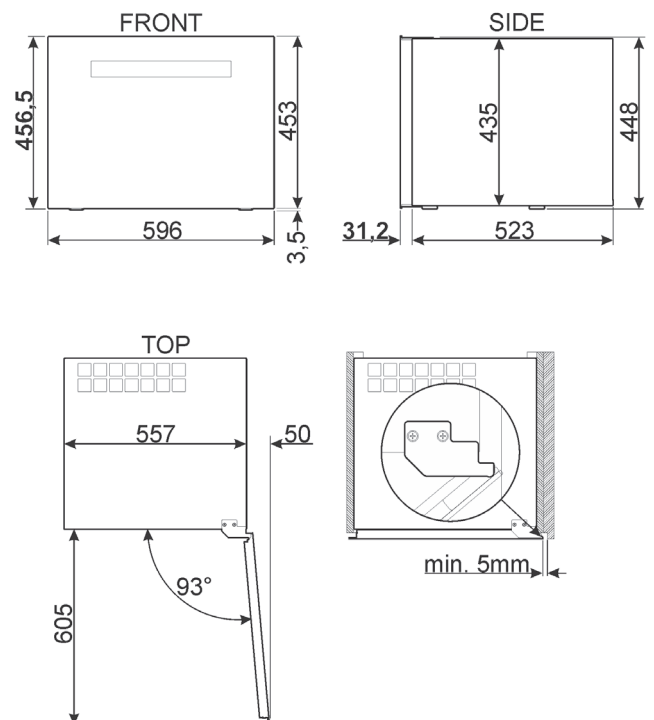
Dimensions	596mmW x 448mmH x 554mmD
Finish	Black eclipse glass with stainless steel trim
Display	LED Display with External touch control
Capacity	18 bottles (750ml)
Door Type	Push to open UV resistant Eclipse Black Glass Double glazed
Shelves	1 x fixed wooden shelves 2 x removable wooden shelves on telescopic guide rails
Thermostat	5-20°C
Installation	Built-in
Cooling	Fan-assisted
Air Filter	Active carbon filter
Lighting	LED internal light
Safety	Control lock Door open alarm
Power	220-240V, 50/60Hz 40W 0.4A Connection
Warranty	Five years parts and labour



CVI618NX shown with CVI638N wine cellar

SUPPLIED ACCESSORIES

Telescopic guide rails



CVIA618RNx2
45CM DOLCE STIL NOVO WINE CELLAR
RIGHT-HAND HINGE

MADE IN ITALY
Since 1948



Dimensions	596mmW x 448mmH x 554mmD (excluding handle)
Power	220-240V, 50/60Hz 40W 0.4A Connection
Warranty	Five years parts and labour

