

SFPA6300TVX 60CM CLASSIC THERMOSEAL PYROLYTIC OVEN



THERMOSEAL

The seal of Smeg's quality, technical excellence and taste: succulent roasts, crisp pastry and impressive baking is achieved in Smeg's unique, perfectly controlled cooking environment. Thermoseal maintains the perfect atmospheric balance in the cavity for optimum cooking conditions.



DIGISCREEN

Simply set timer, cooking duration and end of cooking using the LED display.

EAN 8017709289300

Dimensions	597mmW x 592mmH x 548mmD
Finish	Fingerprint proof stainless steel Eclipse high visibility black glass
Total functions	8
Display	DIGIscreen
Capacity	79L
Cooking levels	5
Thermostat	50 - 280°C
Installation	Built-in
Programmability	Fully programmable
Cleaning	Pyrolytic cleaning
Lighting	2 x 40W halogen
Supplied accessories	2 x Chrome shelf 1 x Chrome grill insert 1 x 20mm enamelled baking tray 1 x 40mm enamelled baking tray 1 x GT1P-2 - Partial telescopic guides
Optional accessories	PRTX - Pizza Stone PPR2 - Gourmet Cooking Stone PALPZ - Single-handle pizza paddle 38508/510 - Baking Dish GT1T-2 - Total telescopic guides
Safety	Cool Door technology, thermal protection system
Power	220-240V, 50/60Hz 3000W 13A Connection
Warranty	Two years parts and labour

PYROLYTIC CLEANING

Smeg's pyrolytic cycle locks the door and heats the oven to around 500°C. This process carbonises any food residue or burnt-on grease to a small amount of ash, which can be simply wiped away with a damp cloth. Smeg also has Eco Pyro - the low energy option.



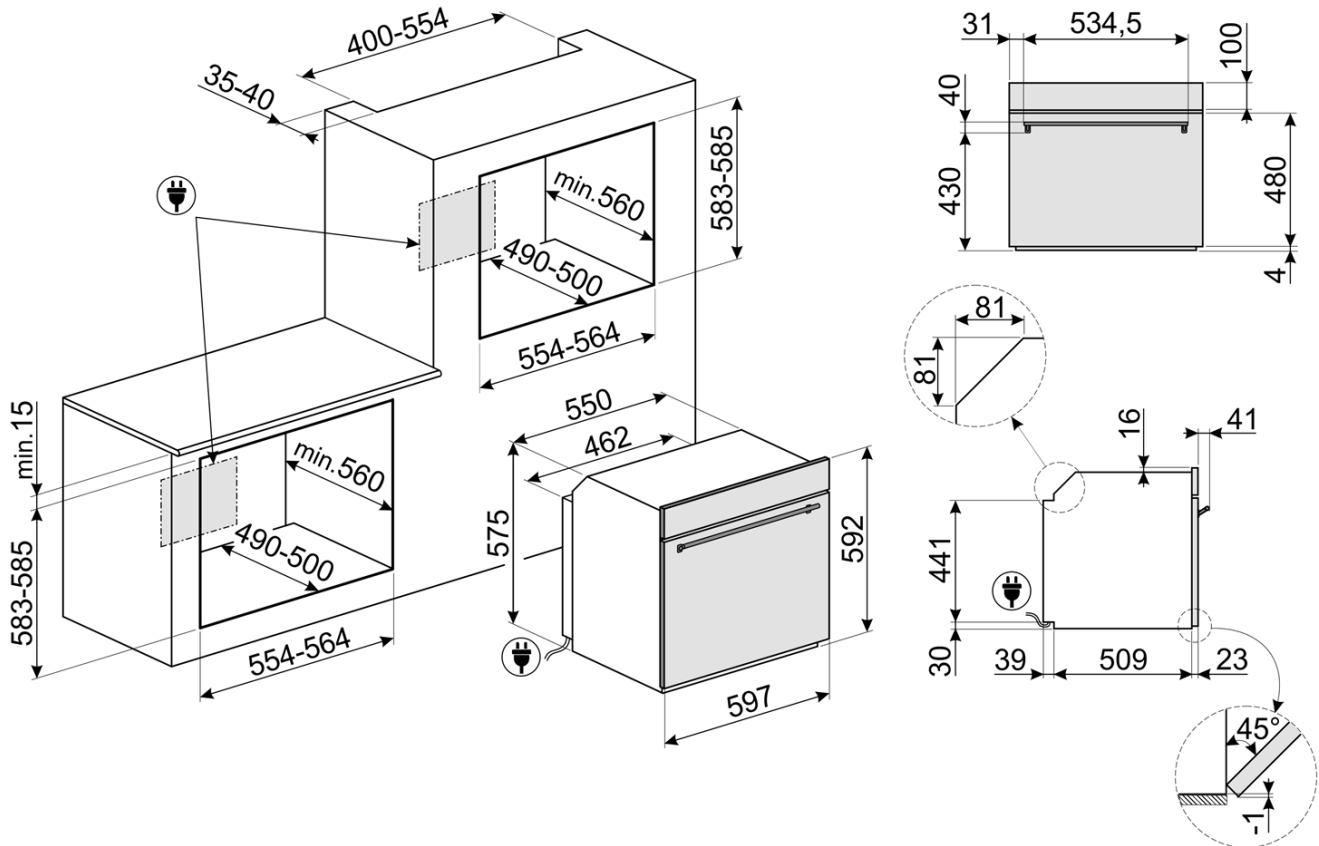
COOL DOOR TECHNOLOGY

Smeg's Cool Door system is a combination of technologies which is driven by a 22 blade tangential fan and includes a heat exchange baffle system. It draws cool air up through the panes of heat-reflective glass in the door, making it safe to the touch even when the oven is at pyrolytic temperatures of around 500°C.



SFPA6300TVX
60CM CLASSIC THERMOSEAL PYROLYTIC OVEN

FUNCTIONS



PLEASE NOTE: drawings are not to scale. They are to assist only.
WARNING: technical specifications and product sizes can be varied by the manufacturer without notice.
Cutouts for appliances should only be by physical product measurements. The above information is indicative only.