

SILT 26

Ceramic Rangehood



THE FUTURE
OF STUNNING
RANGEHOOD
DESIGN *is here.*



Available in Gold, Copper, Silver & White

Warranty	3 Year Warranty
Designer Canopy Range	Sleek and contemporary design with superior power and performance available in copper, white, silver and gold.
LED Lighting	Energy efficient with better illumination of cooking area and longer life span than standard globes.
Aluminium Internal Filter	Replaceable charcoal filter which purifies re-circulating air.
Induction Countdown Control	10 minute auto function used at the end of cooking to reduce condensation build up common to induction cooking.
EBM Motor Options	Single aluminium EBM Motor
4 Speed Extraction	4 speed extraction provided in rangehood to allow you to control air extraction levels.
MADE IN ITALY	Units are designed and handcrafted in Deruta, a small city in the province of Perugia, Italy. With its 9 thousand inhabitants, Deruta is the place where wise handicraftsmen have preserved and handed down their ceramic work from generation to generation.

Note: Electrician is required during installation as power plug is fitted post install due to the nature of the design.

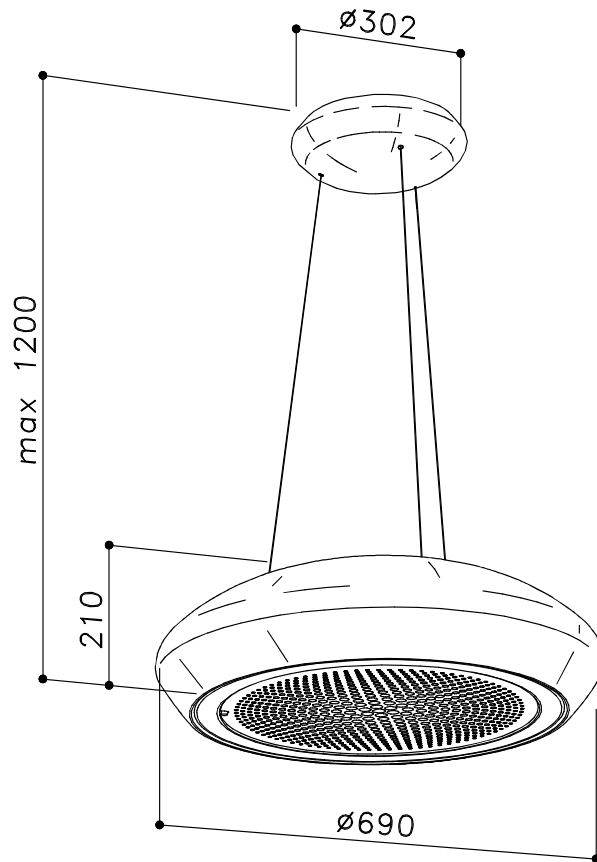
Distributed by Arisit Pty Ltd

40-44 Mark Anthony Drive, Dandenong South VIC 3175 Phone: 1300 762 219 Fax: 03 9706 6904 Website: www.arisit.com

www.siriusbrand.com

SILT 26

Ceramic Rangehood



Model	SILT 26
Control	Remote Control
Motor	Single Aluminium EBM
Extraction	600 m ³ /h
Absorption	100 w
Noise Level	68 dBA
Ducting Diameter	N/A
Lighting	1 x Rounded LED 20W
Filter	Hybrid Aluminium Filter (Charcoal Filter)
Electrical Requirement	10 AMP
Product Dimensions	(W) 690mm x (H) Max. 1200mm x (D) 690mm

WARNING: Technical specifications and product sizes can be varied by the manufacturer, without notice. Cut outs for appliances should only be physical product measurements. The above information is indicative only.

NOTE: An electrician is required during installation as power plug is fitted post install due to the nature of the design.

Distributed by Arisit Pty Ltd

40-44 Mark Anthony Drive, Dandenong South VIC 3175 Phone: 1300 762 219 Fax: 03 9706 6904 Website: www.arisit.com

www.siriusbrand.com

MEET THE DESIGNER

GIACOMO FAVA

Giacomo Fava was born in Fabriano (Marche region, Italy) in 1978. After the degree in Architecture at the University of La Sapienza in Rome, he obtained a Master's Degree in Industrial Design from the Scuola Politecnica di Design in Milan. He has lived and worked in Rome, New York, Hong Kong and Milan where he is now based, and he continues to travel widely. His works range from architecture projects to design, graphics and communication. In addition to his core business, he has also held senior management positions at client companies; including currently being Creative Director Sirius Spa.



ABOUT

MY PHILOSOPHY

Make it as simple as it can be.

Our work combines technology and economic sustainability for fulfilling human aspirations.

Identifying new demands, understanding the underlying needs as well as thinking out brands, spaces, products and services that will satisfy such needs is paramount in every project that we embark on.

Work hard, have fun and love it.

The designer's scope of work is interpreting good ideas and making them become part of peoples' everyday life.

Good and innovative ideas originate from inspiration and turning such ideas into reality is a fascinating and long journey, which will eventually bring answers to some problems.

WORKS

SELECTED PROJECTS

(Click on attached images to find out more about each project)