





# IVN900 CANOPY RANGE HOOD

## LOW NOISE, MAXIMUM EXTRACTION



-   
**24 MONTH**  
WARRANTY
-   
**90CM**  
WIDE
-   
**LOW**  
NOISE
-   
**LED**  
LIGHT



Pictured: IVN900 hood With Stainless Steel Facia



Pictured: IVN900 hood With Black glass Facia



### Available Colours



Stainless Steel  
with Black Glass



Stainless Steel  
with Black panel

12112017

EXCLUSIVE TO

IVN900X: EAN 9341584032263

IVN900N: EAN 9341584032256



# IVN900 CANOPY RANGE HOOD

## LOW NOISE, MAXIMUM EXTRACTION



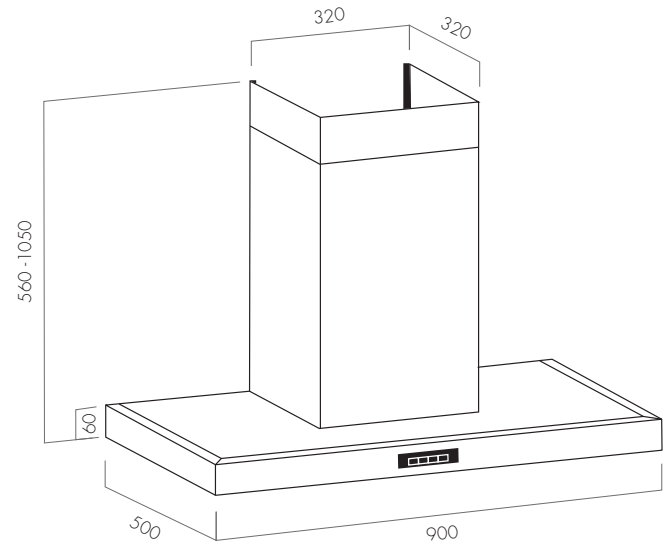
LIVE WITH  
**ILVE**

### IVN900 N/X 90cm Canopy Hood

#### Available in Stainless Steel with: Black Glass Facia or Stainless Steel only

- Designed to suit NEW Narta Series of ILVE appliances.
- Built to exacting professional cooker hood standards
- Single motor
- Double turbine fan
- Low decibel rating,
- Supplied with Baffle and Aluminium mesh filters
- Charcoal filter insert also supplied for re-circulating
- 950 m<sup>3</sup>/h air extraction
- LED lighting
- Touch control operation
- Size: 90cm
- Colour: Stainless Steel with a black control panel
- Ducting size: 150mm

Available Flue & Charcoal filter  
flue: EFIVN900N  
charcoal filter: HXT600B



Model: IVN900 Canopy Hood Dimensions

Type: Canopy Range Hood  
Size: 90cm  
Power standard: 10 Amp plug  
Ducting size: 150mm

\*Range Hood extraction rate m<sup>3</sup>/h reading is measured at: 1m duct up, 1 x 90°C bend & 1m vertical duct

\*\*Using the conversion *back* to 125mm may effect performance

\*\*\*Optional recirculating kit and accessories are available (consult with ILVE)

EXCLUSIVE TO



12112017

Australia National Telephone Number 1300 MYILVE (694 583) New Zealand Telephone Number 0508 458 369  
ILVE showrooms are open daily from 9am-5pm and Saturdays 10am-4pm (WA by appointment only on Saturdays)

[ilve.com.au](http://ilve.com.au)

**NSW & ACT (Head Office)**  
48-50 Moore Street  
Leichhardt  
F 02 8569 4699

**VIC, TAS & SA**  
1211 Toorak Road  
Camberwell  
F 03 9809 2155

**QLD**  
1/42 Cavendish Road  
Coorparoo  
F 07 3397 0850

**WA & NT**  
Unit 10/55 Howe Street  
Osborne Park  
F 08 9201 9188

**New Zealand**  
PO Box 11.160  
Sockburn Christchurch  
F 03 344 5906

#### DISCLAIMER

Eurolinx PTY LTD, trading as ILVE Appliances, is continually seeking ways to improve the design specifications, aesthetics and production techniques of its products. As a result alterations to our products and designs take place continually. Whilst every effort is made to produce information and literature that is up to date, this brochure should not be regarded as an infallible guide to the current specifications, nor does it constitute an offer for the sale of any particular product. Product dimensions indicated in our literature is indicative only. Actual product only should be used to define dimension cutouts. Distributors, and retailers are not agents of ILVE Appliances and are not authorized to bind ILVE Appliances by any express or implied undertaking or representation.