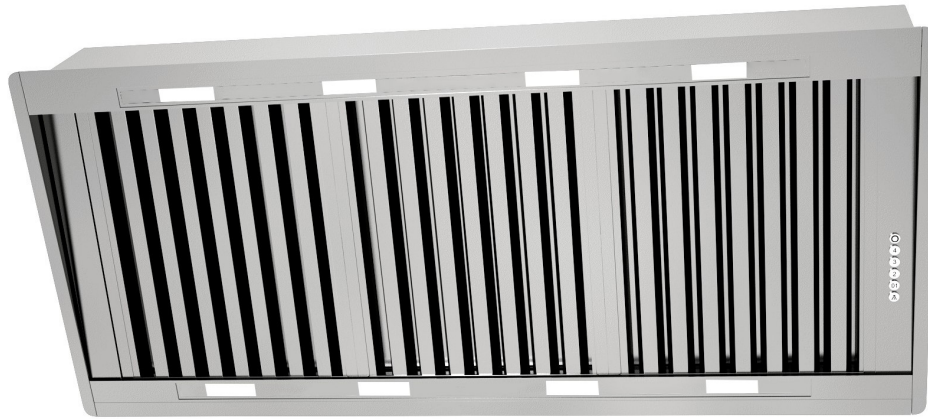


SL920 FRESCO 1200

120CM ALFRESCO UNDERMOUNT HOOD



let's get
Sirius
with rangehood design



SL920 FRESCO 1200

Features and Benefits:

UNDERMOUNT DESIGN	Streamline, modern and unobtrusive design.
LED LIGHTS	Energy efficient, Better illumination of cooking area, Longer life span than standard globes or Halogen, Modern aesthetic
25MM COMMERCIAL STAINLESS STEEL BAFFLE FILTERS	Commercial design, Dishwasher safe, Designed for greatest air movement for maximum performance, Easy to fit and remove, Lifetime filters: last the life of the hood
10-MINUTE RUN-ON FUNCTION	Clears smells and smoke for 10 minutes, then turns off unit automatically.
LARGER DUCTING DIAMETER	Greater extraction and lower dB rating due to less air flow restriction.
CLEAN FILTER INDICATOR	Takes the guessing game out of maintaining your hood. Buttons light up to remind you to clean your filters.
REMOTE CONTROL	Allows for easy use of the rangehood controls. Great for hard-to-access applications.
MADE IN ITALY	Units are designed specifically for the Australian market and manufactured in Italy by dedicated boutique specialist manufacturer
WARRANTY	Warranty is 6 years only when Sirius ducting is used. Sirius strongly recommend to use the correct ducting as to not void warranty and to achieve the ideal result

Distributed by Arisit Pty Ltd

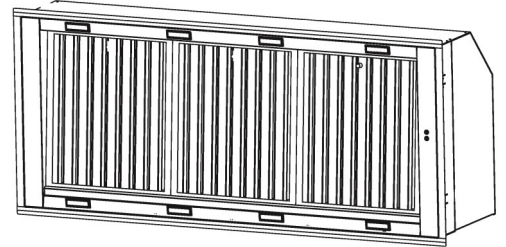
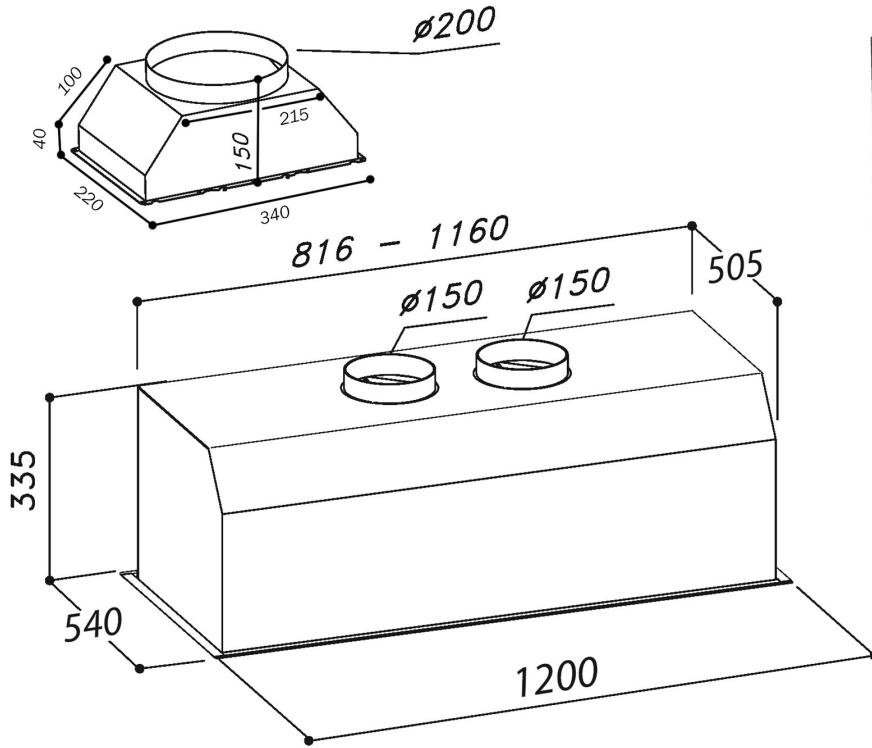
40-44 Mark Anthony Drive, Dandenong South VIC 3175 Ph: 1300 762 219 Fax: 03 9768 0838 Website: www.arisit.com

SL920 FRESCO 1200

120CM ALFRESCO UNDERMOUNT HOOD



let's get
Sirius
with rangehood design



Technical Specifications:

MODEL	SL920 FRESCO1200
CONTROL PANEL	ELECTRONIC (with remote control)
MOTOR	Twin Aluminium
EXTRACTION	2400 m ³ /h
DUCTING DIAMETER	200mm, or 2x150mm
LIGHTS	8 x LED Lights
FILTER	25mm STAINLESS STEEL BAFFLE
ELECTRICAL REQUIREMENT	10A
PRODUCT DIMENSIONS	335mm (H) x 540mm (D) X 1200mm (W)
WARRANTY	3 YEARS - (6 YEARS WHEN SIRIUS DUCTING IS USED)

WARNING: technical specifications and product sizes can be varied by the manufacturer, without notice. Cut outs for appliances should only be by physical product measurements. The above information is indicative only.

Distributed by Arisit Pty Ltd

40-44 Mark Anthony Drive, Dandenong South VIC 3175 Ph: 1300 762 219 Fax: 03 9768 0838 Website: www.arisit.com