

Dishwasher

Series 5 | Contemporary

Stainless Steel

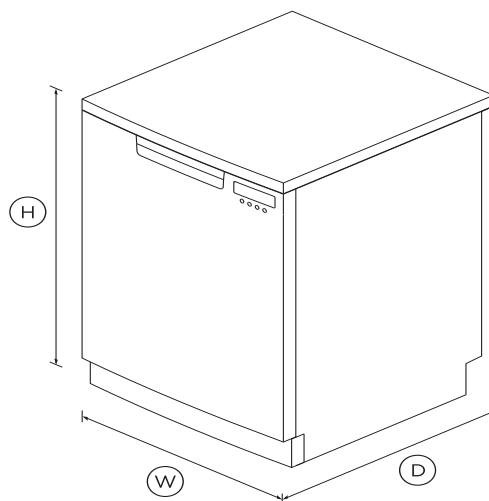


With flexible racking you can adjust to suit your load, and multiple wash features for beautifully clean dishes.

- Six wash programs to suit any load, from Eco to Heavy
- Auto option senses the optimum wash cycle for your dishes
- Flexible racking allows you to customise internal shelves to suit your needs

DIMENSIONS

Height	820 - 870 mm
Width	597 mm
Depth	600 mm



FEATURES & BENEFITS

A reliable wash

A three stage filtration system results in a superior clean. Cup racks, wine glass supports and cutlery basket allow safe and easy cleaning of everyday items. A rinse aid indicator reminds you to top up for squeaky-clean dishes.

SPECIFICATIONS

Accessories

- Cutlery basket
- Kickstrip **proud-grey**

Capacity and loading

- Accommodates round plates **260mm**
- Cup racks
- Fold down tines
- Height adjustable top basket
- Place settings **14**
- Utensil tray
- Wine glass supports

Consumption

- Energy star rating **3.5 star**
- Energy usage **271kWh/year**
- Water rating (WELS) **5 star (WELS)**
- Water usage **11.5 litres per wash cycle**

Controls

- Child lock
- End of cycle beeps
- Energy saving delay start
- Rinse aid indicator light
- Time remaining LED display

Features

- Quiet operation
- ThermoDry system
- Three-stage filtration system
- Variable wash pressure

PerformanceNoise emissions **47dBA**

Power requirementsAmperage **10A**

Product dimensionsDepth **600 mm**Height **820 - 870 mm**Width **597 mm**

WarrantyParts and labour **2 years**

Wash programs

Auto •

Eco •

Fast **30 minutes**

Heavy •

Medium **90 minutes**Number of wash programs **6**

Rinse •

Water connectionWater pressure **0.03 - 1Mpa**

SKU **81130**

The product dimensions and specifications in this page apply to the specific product and model. Under our policy of continuous improvement, these dimensions and specifications may change at any time. You should therefore check with Fisher & Paykel's Customer Care Centre to ensure this page correctly describes the model currently available. Â© Fisher & Paykel Appliances Ltd 2019.

Other product downloads available at fisherpaykel.com[↓](#) User Guide[↓](#) Customer Information Sheet[↓](#) Quick Start Guide[↓](#) Service & Warranty Booklet[↓](#) Installation Guide**A PEACE OF MIND SALE****24 Hours 7 Days a Week Customer Support****T 1300 650 590 W www.fisherpaykel.com**