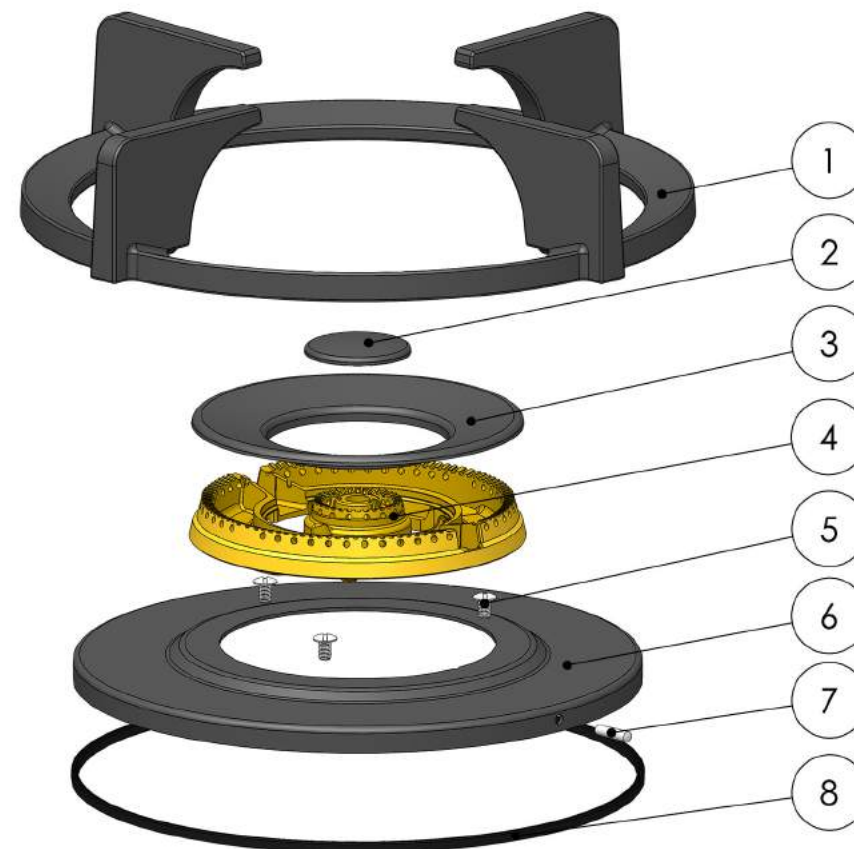
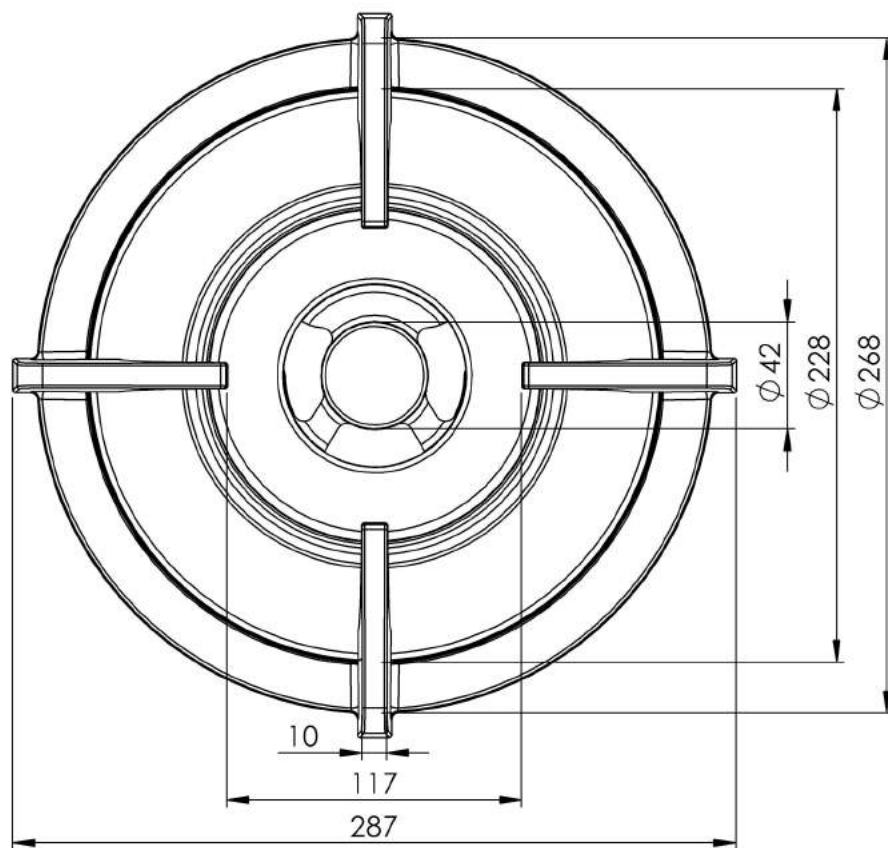


Reference Number	Component number	Description	Amount
1	30.08.205	Burner top 5kW brass	2
2	30.08.103	Burner top 3kW black/brass	1
3	02.00.011	Alu. heat conductor for Cusin	1
4	13.00.001	Control knob + sealing scale	3
5	30.08.001	Wokring	1

30.08.205 - Burner top 5kW brass

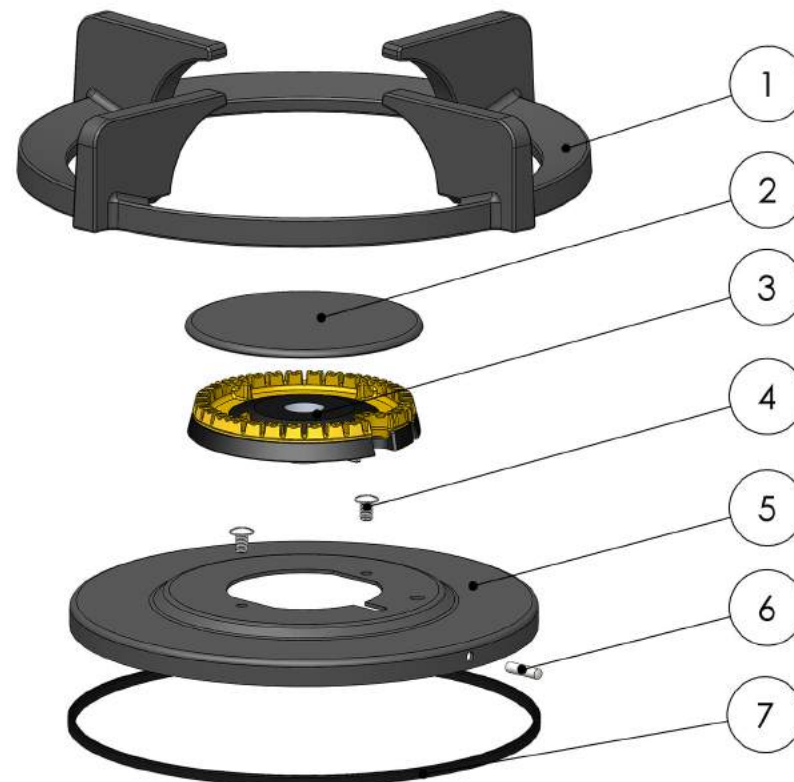
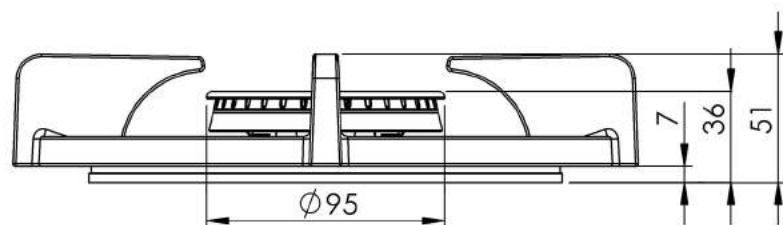
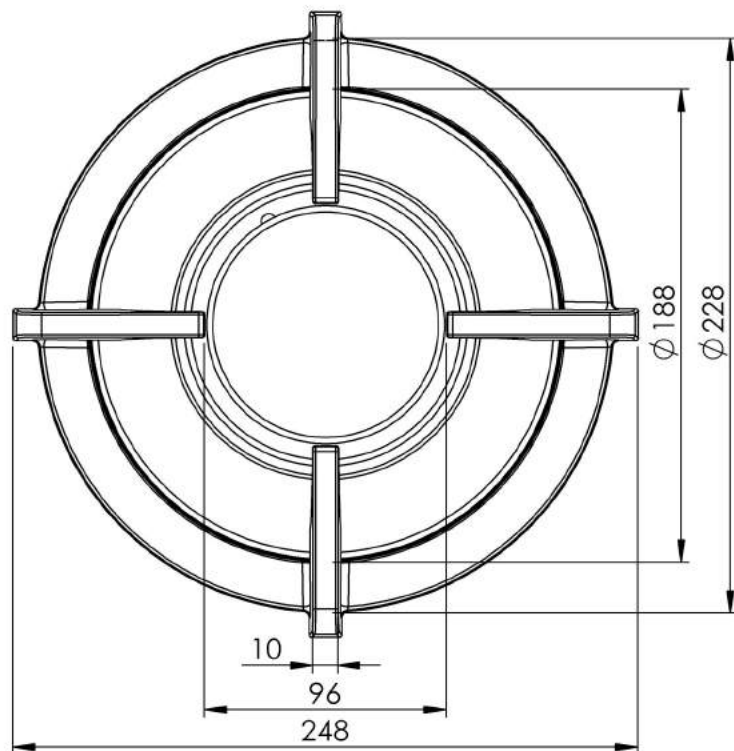
PITT
COOKING



Reference Number	Component number	Description	Material
1	10.00.003	Pan support PITT cooking 5kW	Enamelled cast iron
2	04.04.006	Flame spreader 5kW (shell)	Enamelled cast iron
3	04.04.105	Flame spreader 5kW (big ring)	Enamelled cast iron
4	04.02.205	Flame distributor 5kW	Brass
5	14.04.001	Buffer bolt with saw cut A2 M4x8	Stainless steel
6	11.00.005	Heat shield enameled 5kW	Enamelled steel
7	14.11.001	Conical fixation pin for pan support	Stainless steel
8	12.00.003	Silicone ring 5kW	Silicone

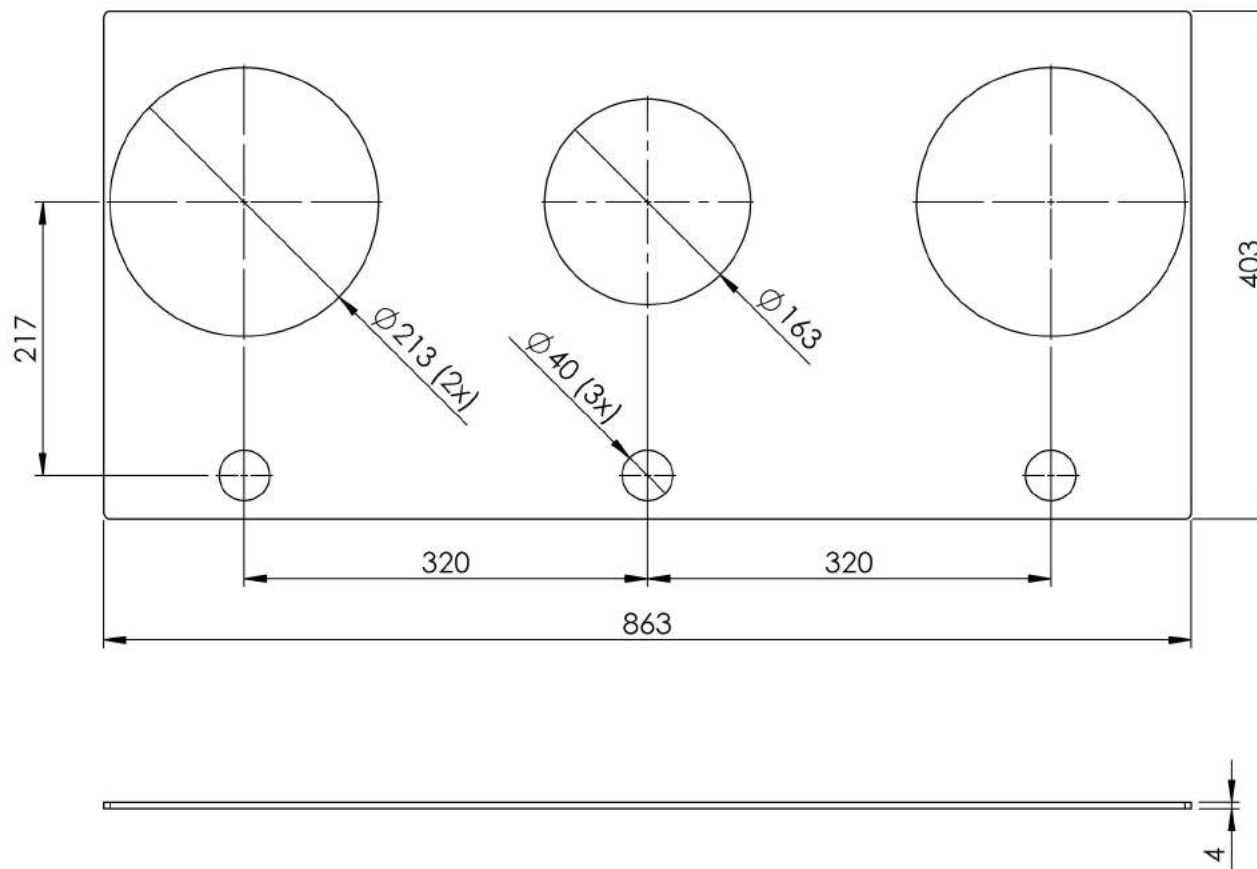
30.08.103 - Burner top 3kW black-brass

PITT
COOKING

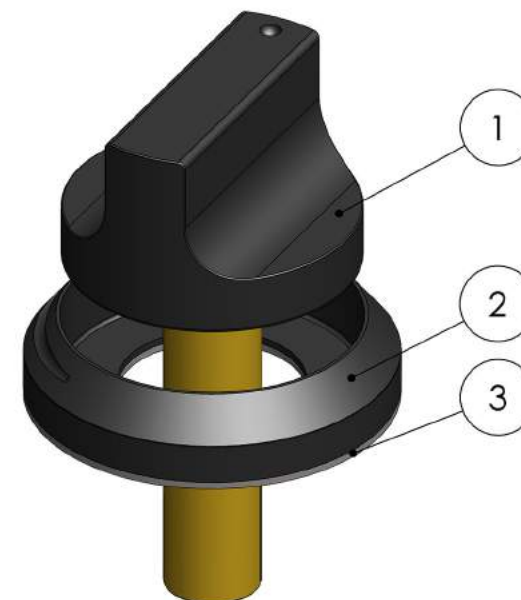
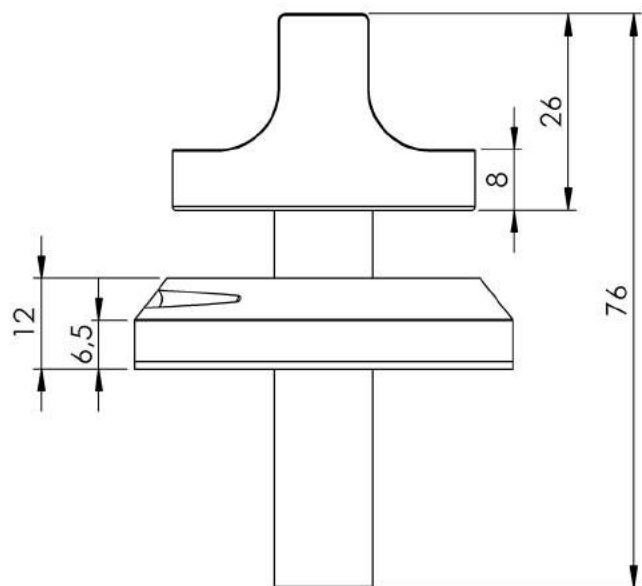
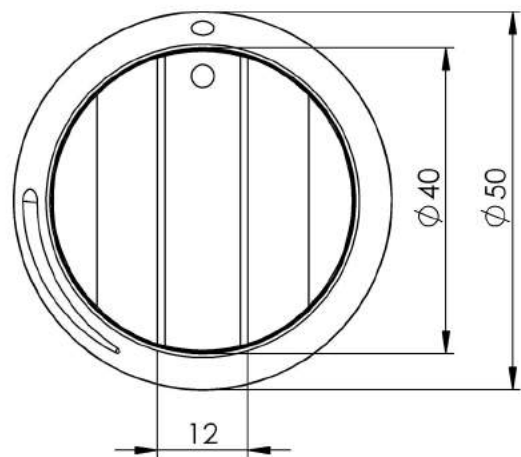


Reference Number	Component number	Description	Material
1	10.00.001	Pan support PITT cooking 2&3kW	Enamelled cast iron
2	04.04.103	Flame spreader 3kW (shell)	Enamelled cast iron
3	04.02.103	Flame distributor 3kW	Painted brass
4	14.04.001	Buffer bolt with saw cut A2 M4x8	Stainless steel
5	11.00.002	Heat shield enameled 2kW	Enamelled steel
6	14.11.001	Conical fixation pin for pan support	Stainless steel
7	12.00.001	Silicone ring 2&3kW	Silicone

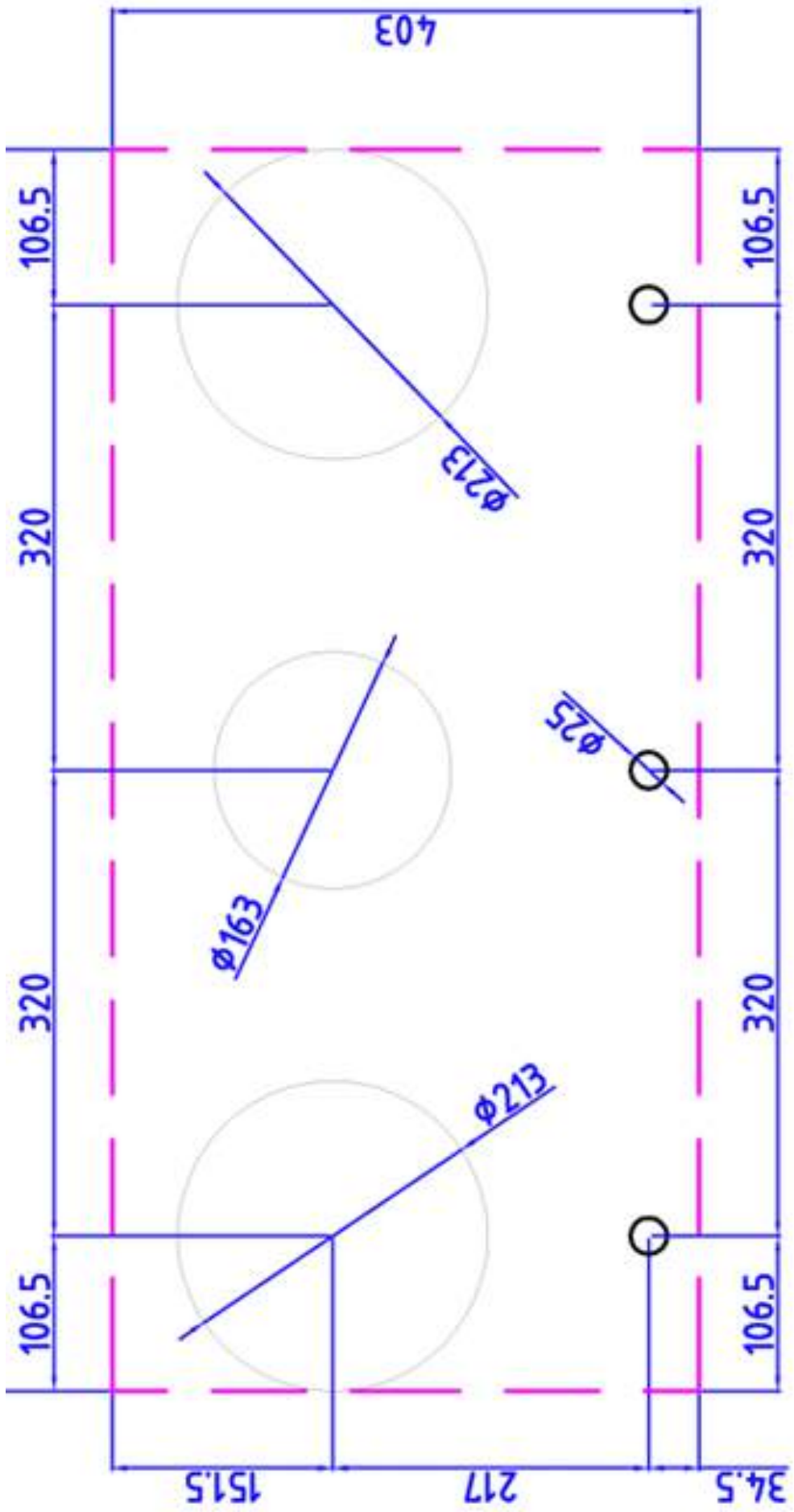
02.00.011 - Alu Heat Conductor for Cusin



13.00.001 - Control knob + sealing scale



Reference Number	Component number	Description	Material
1	13.00.005	Control knob	Anodized aluminum & brass
2	13.00.003	Sealing scale	Anodized aluminum
3	18.03.001	Adhesive strip	-



Cusin