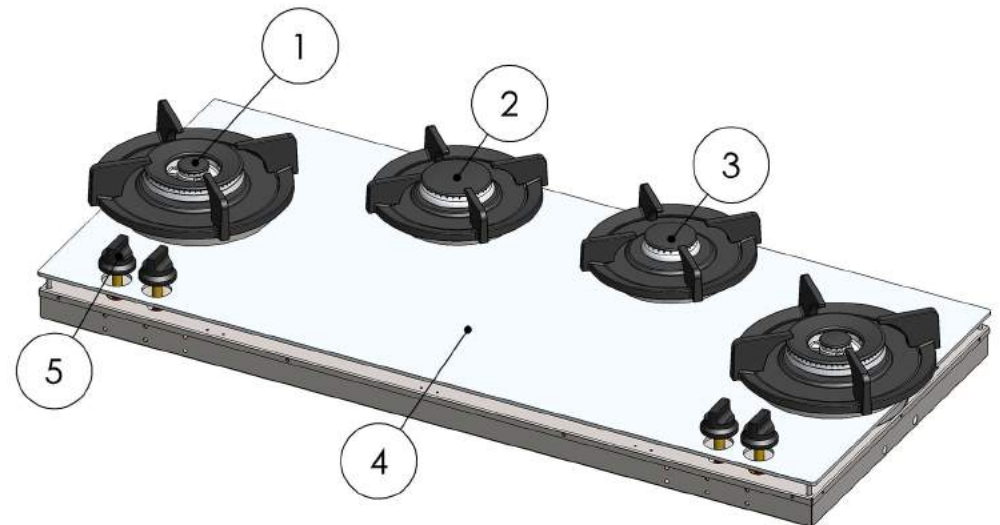
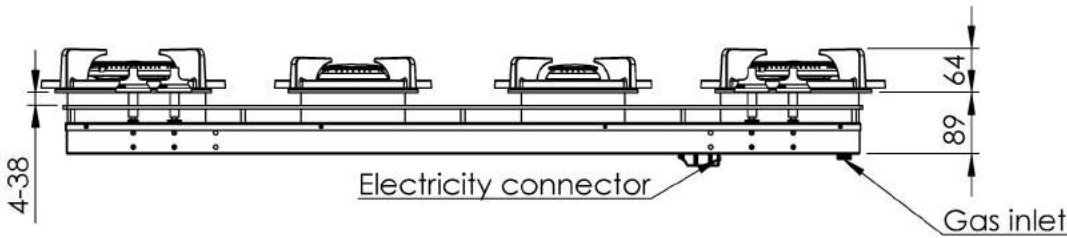
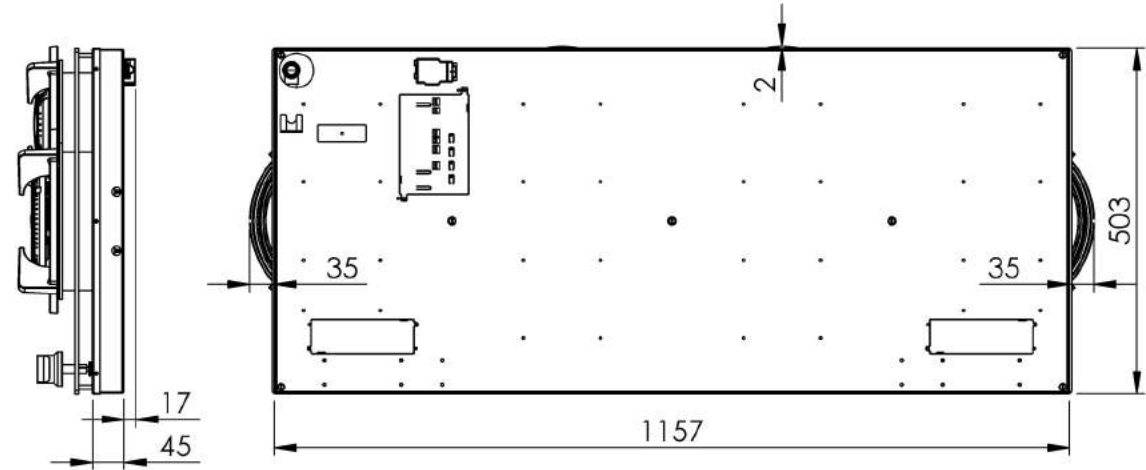
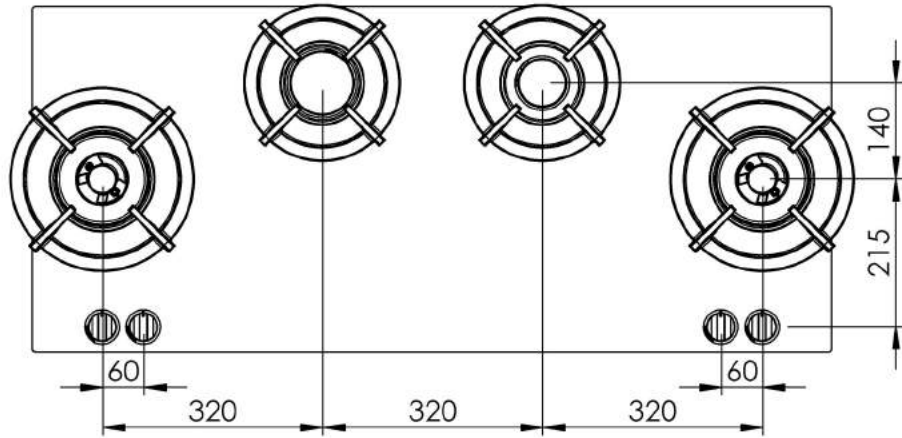


Drum

PITT

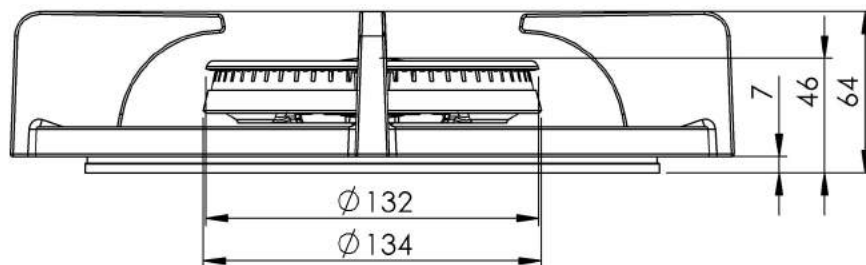
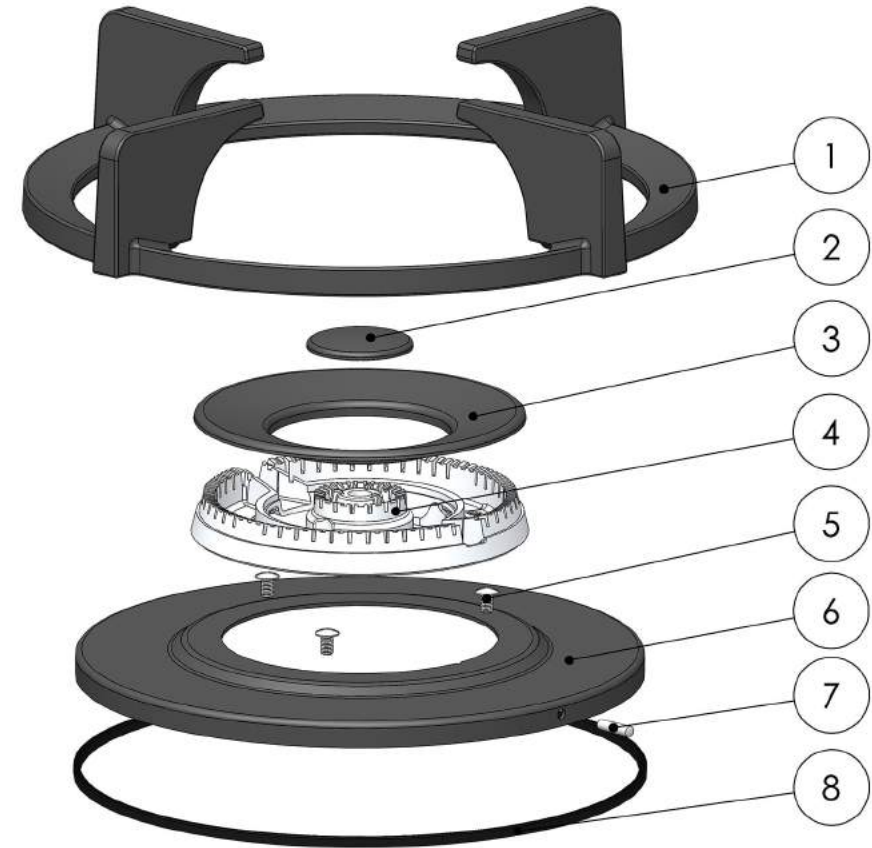
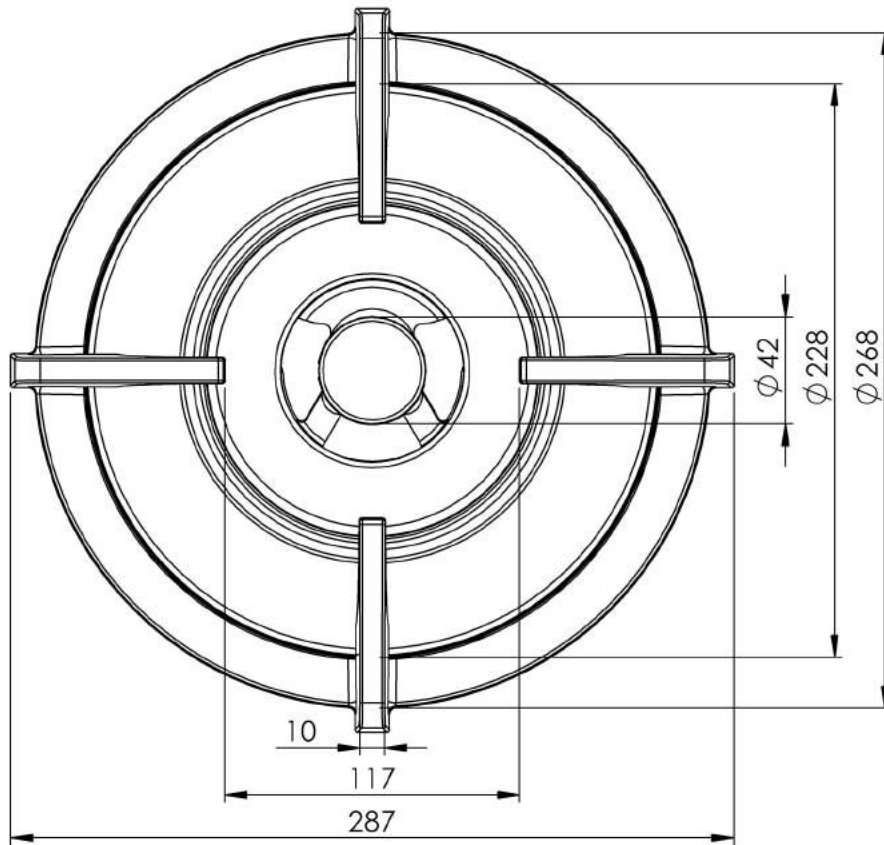
COOKING



Reference Number	Component number	Description	Amount
1	30.08.005	Burner top 5kW	2
2	30.08.003	Burner top 3kW	1
3	30.08.002	Burner top 2kW	1
4	02.00.014	Alu. heat conductor for Drum	1
5	13.00.001	Control knob + sealing scale	4

30.08.005 - Burner top 5kW

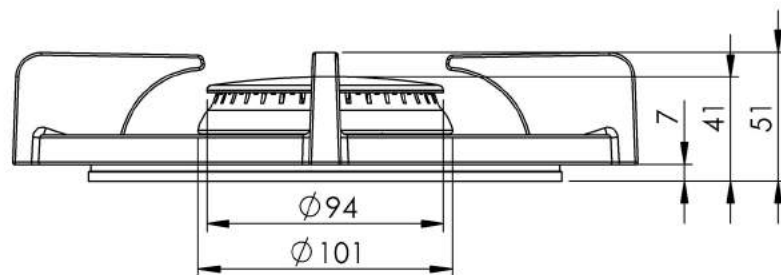
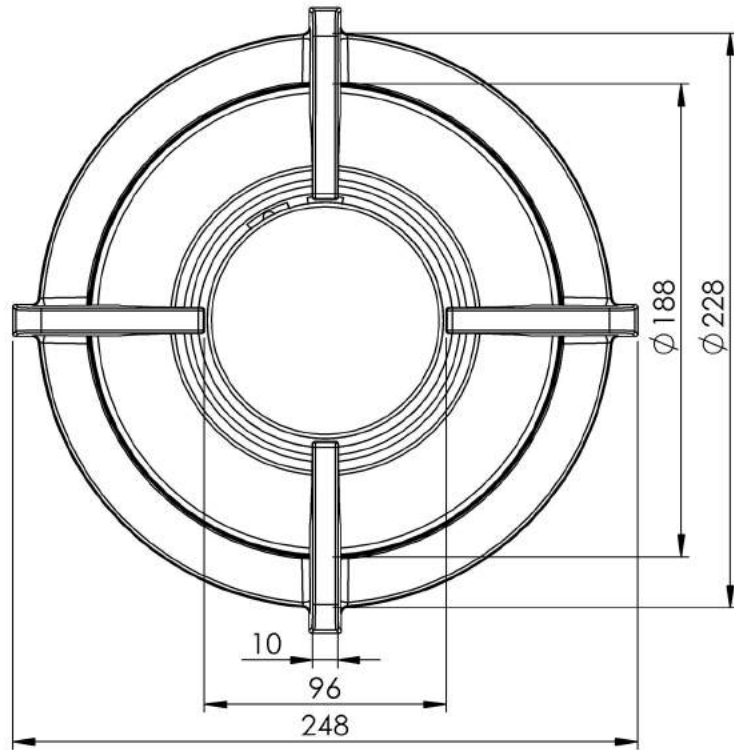
PITT
COOKING



Reference Number	Component number	Description	Material
1	10.00.003	Pan support PITT cooking 5kW	Enamelled cast iron
2	04.04.006	Flame spreader 5kW (shell)	Enamelled cast iron
3	04.04.005	Flame spreader 5kW (big ring)	Enamelled cast iron
4	04.02.005	Flame distributor 5kW (aluminum)	Aluminum
5	14.04.001	Buffer bolt with saw cut A2 M4x8	Stainless steel
6	11.00.005	Heat shield enameled 5kW	Enamelled steel
7	14.11.001	Conical fixation pin for pan support	Stainless teel
8	12.00.003	Silicone ring 5kW	Silicone

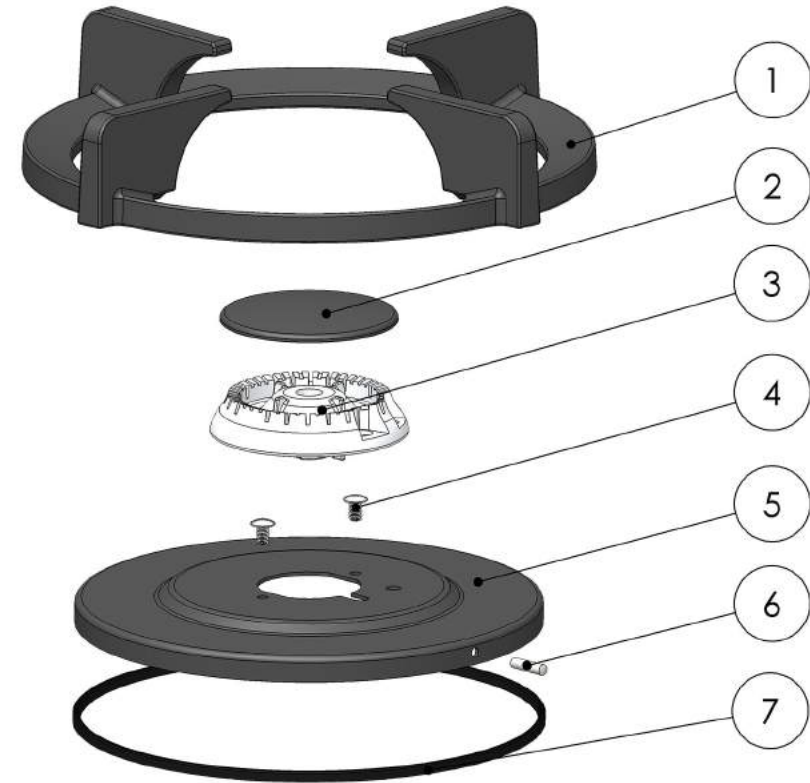
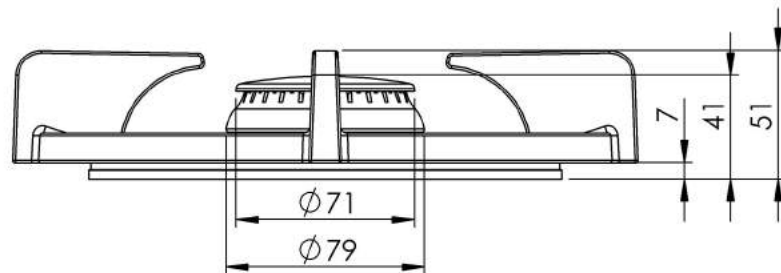
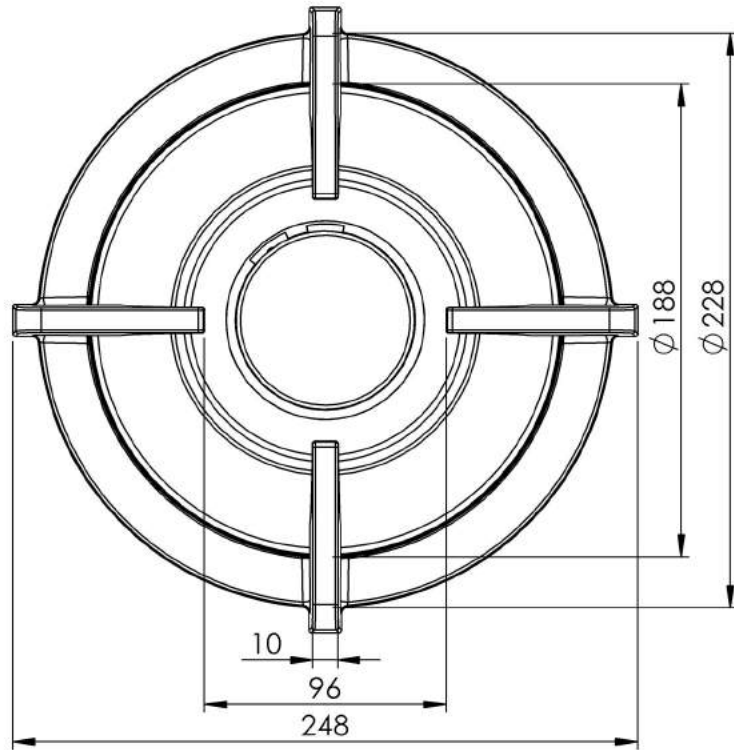
30.08.003 - Burner top 3kW

PITT
COOKING



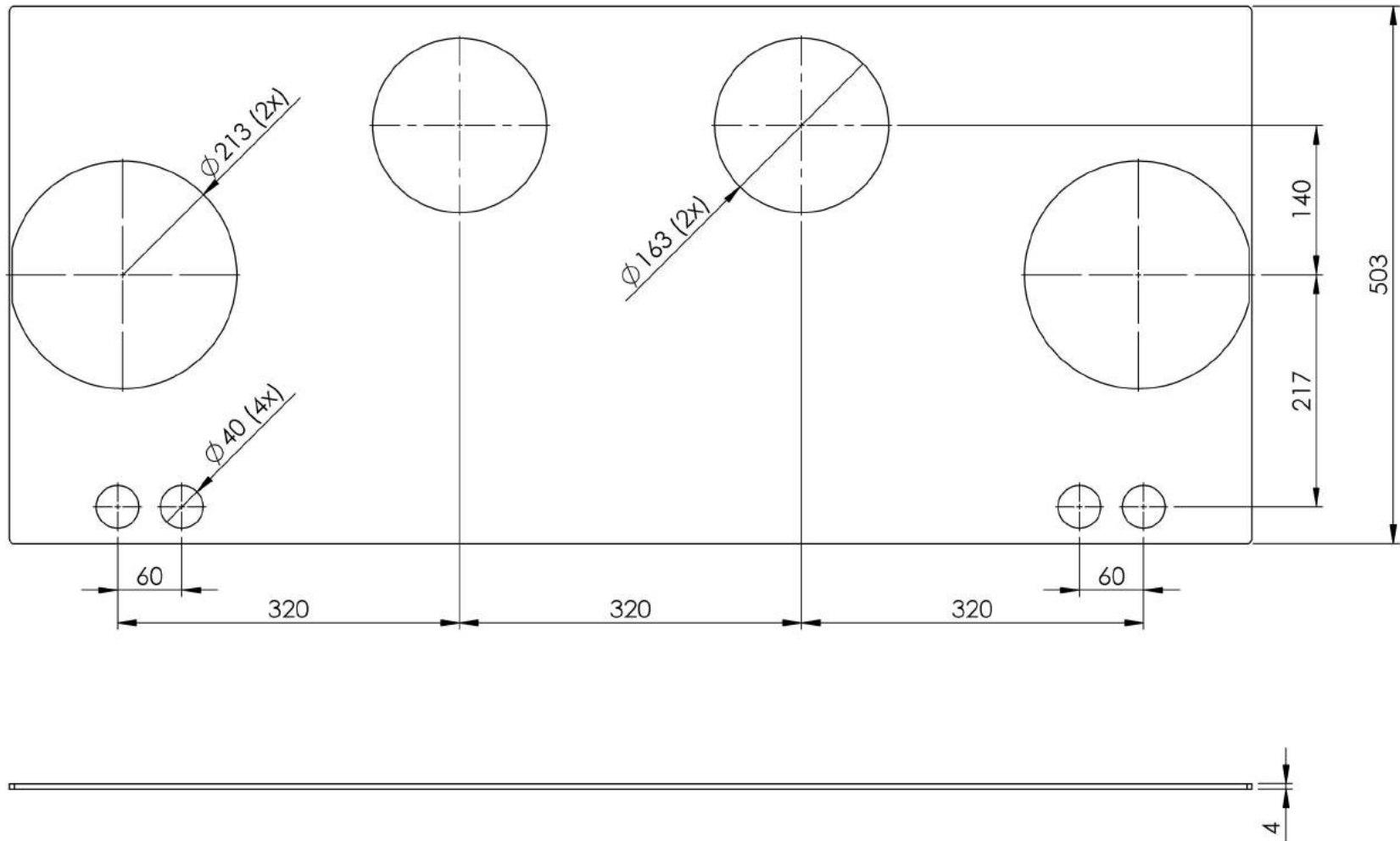
Reference Number	Component number	Description	Material
1	10.00.001	Pan support PITT cooking 2&3kW	Enamelled cast iron
2	04.04.003	Flame spreader 3kW (shell)	Enamelled cast iron
3	04.02.003	Flame distributor 3kW (aluminum)	Aluminum
4	14.04.001	Buffer bolt with saw cut A2 M4x8	Stainless steel
5	11.00.003	Heat shield enameled 3kW	Enamelled steel
6	14.11.001	Conical fixation pin for pan support	Stainless steel
7	12.00.001	Silicone ring 2&3kW	Silicone

30.08.002 - Burner top 2kW

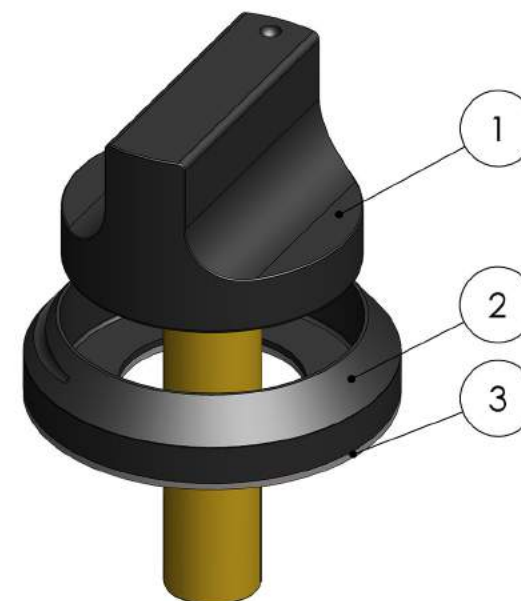
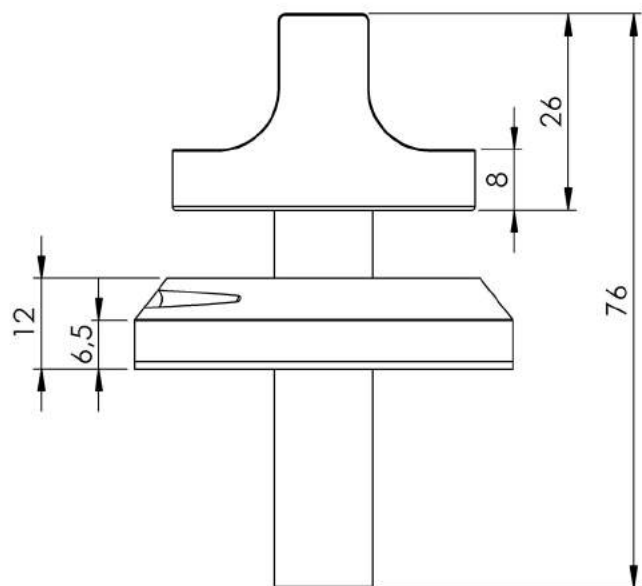
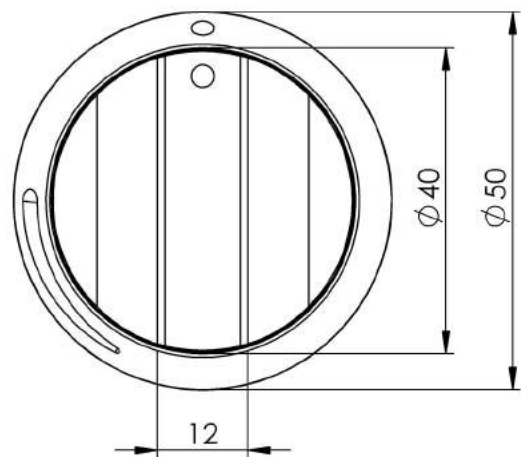


Reference Number	Component number	Description	Material
1	10.00.001	Pan support PITT cooking 2&3kW	Enamelled cast iron
2	04.04.002	Flame spreader 2kW (shell)	Enamelled cast iron
3	04.02.002	Flame distributor 2kW (aluminum)	Aluminum
4	14.04.001	Buffer bolt with saw cut A2 M4x8	Stainless steel
5	11.00.002	Heat shield enameled 2kW	Enamelled steel
6	14.11.001	Conical fixation pin for pan support	Stainless steel
7	12.00.001	Silicone ring 2&3kW	Silicone

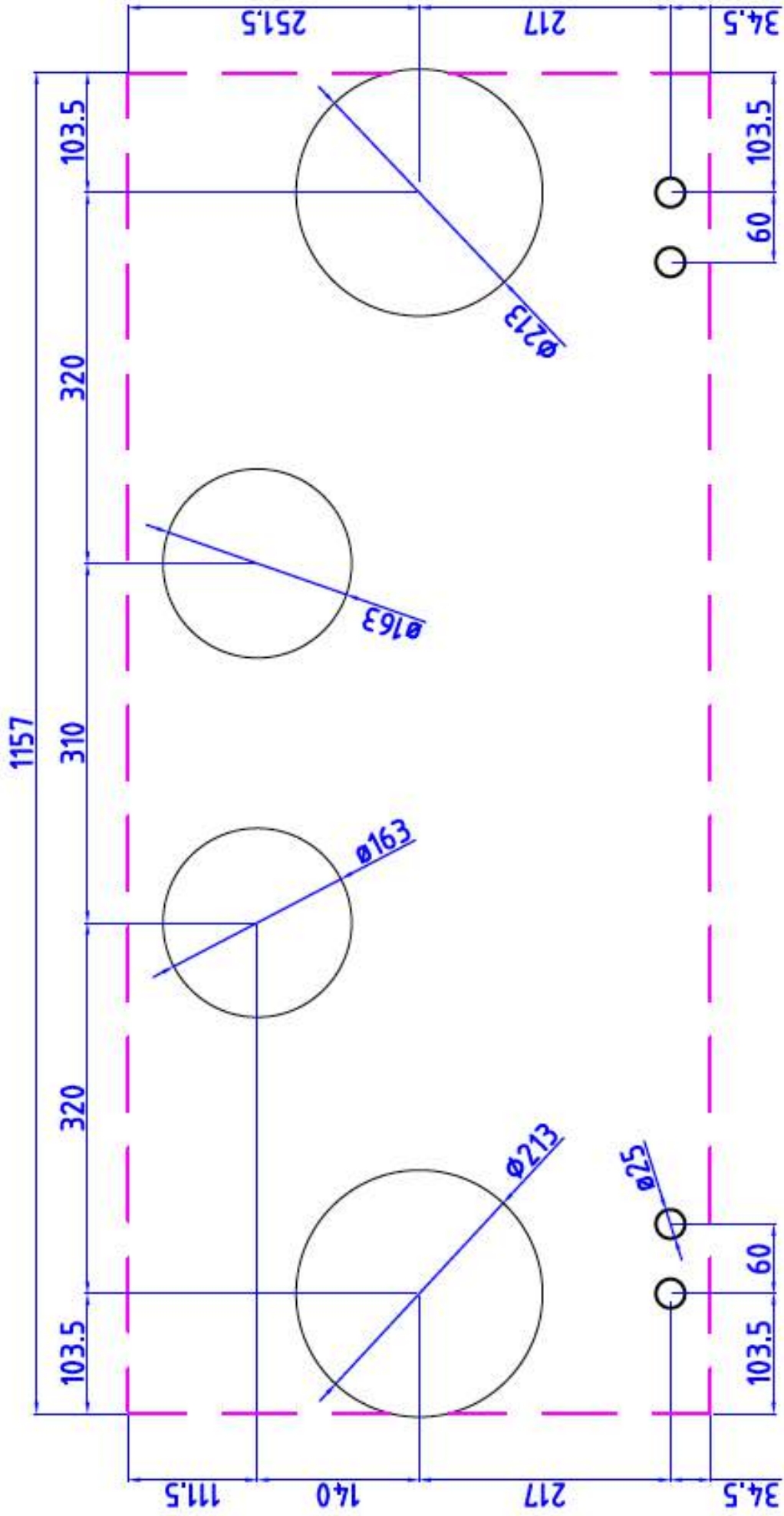
02.00.014 - Alu Heat Conductor for Drum



13.00.001 - Control knob + sealing scale



Reference Number	Component number	Description	Material
1	13.00.005	Control knob	Anodized aluminum & brass
2	13.00.003	Sealing scale	Anodized aluminum
3	18.03.001	Adhesive strip	-



DRUM