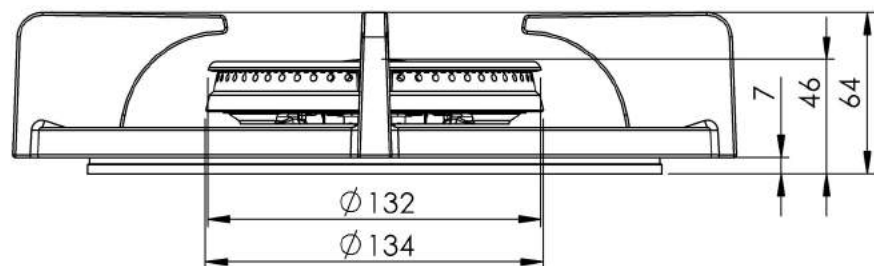
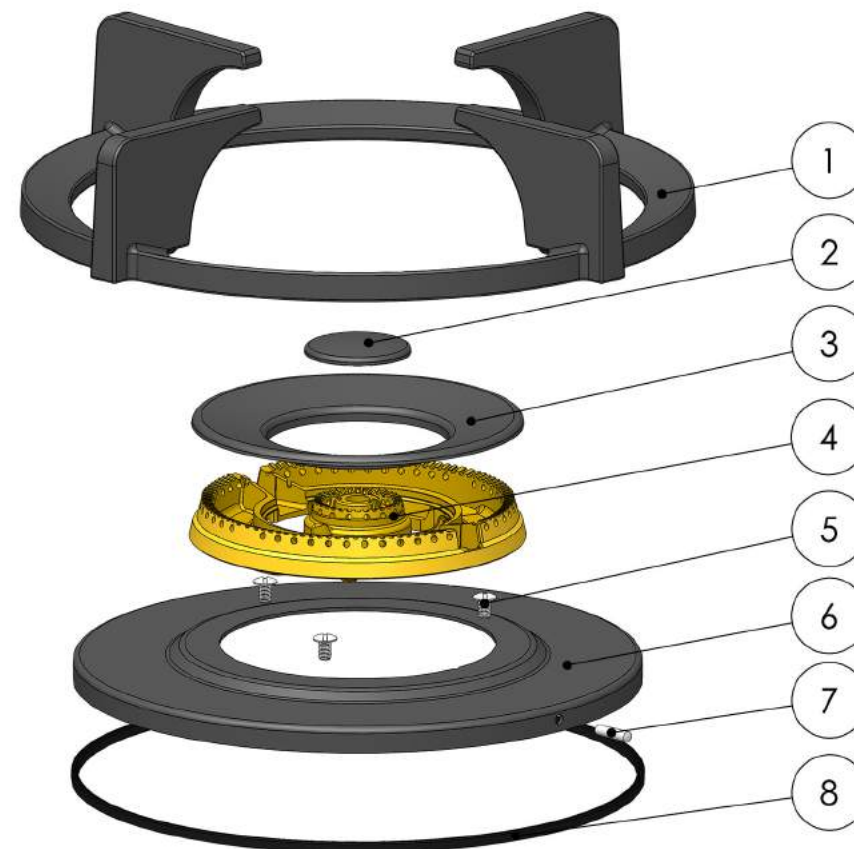
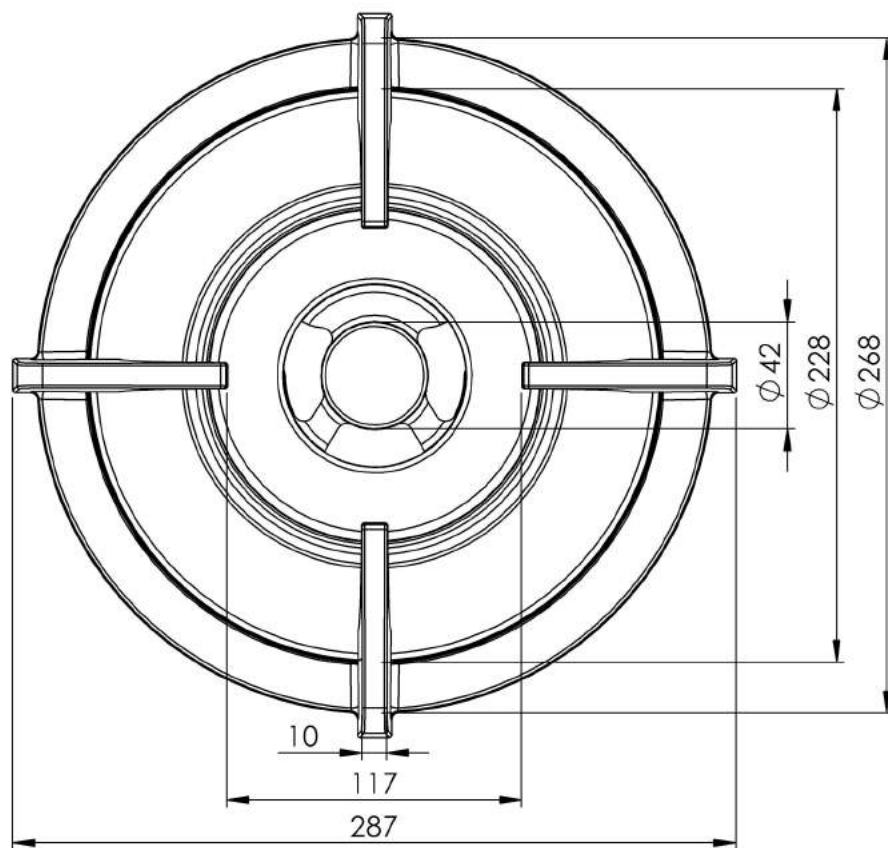


| Reference Number | Component number | Description | Amount |
|------------------|------------------|-------------------------------|--------|
| 1 | 30.08.205 | Burner top 5kW brass | 1 |
| 2 | 02.00.006 | Alu. heat conductor for Azuma | 1 |
| 3 | 13.00.001 | Control knob + sealing scale | 1 |
| 4 | 30.08.001 | Wokring | 1 |

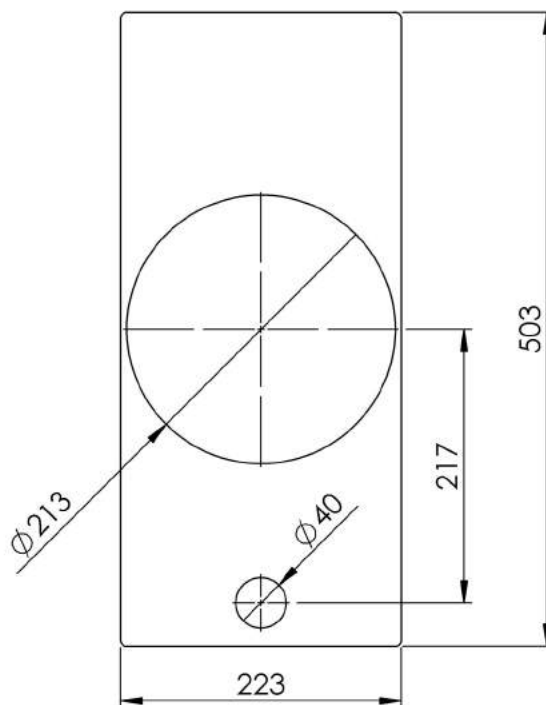
30.08.205 - Burner top 5kW brass

PITT
COOKING

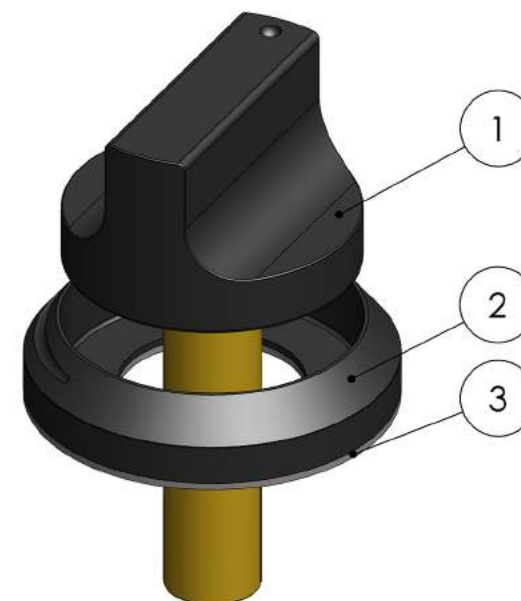
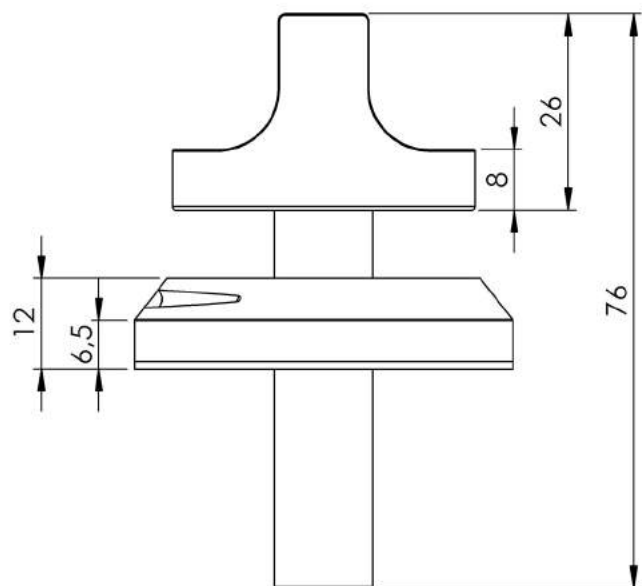
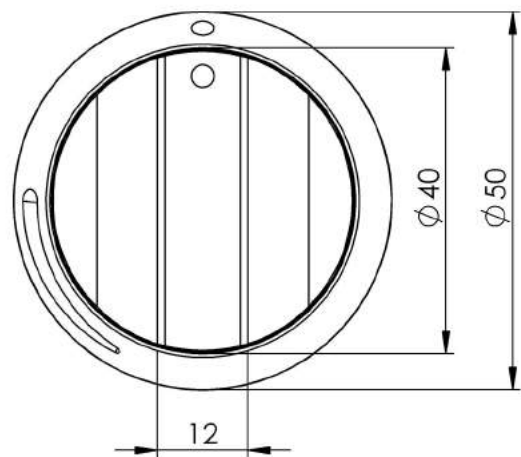


| Reference Number | Component number | Description | Material |
|------------------|------------------|--------------------------------------|---------------------|
| 1 | 10.00.003 | Pan support PITT cooking 5kW | Enamelled cast iron |
| 2 | 04.04.006 | Flame spreader 5kW (shell) | Enamelled cast iron |
| 3 | 04.04.105 | Flame spreader 5kW (big ring) | Enamelled cast iron |
| 4 | 04.02.205 | Flame distributor 5kW | Brass |
| 5 | 14.04.001 | Buffer bolt with saw cut A2 M4x8 | Stainless steel |
| 6 | 11.00.005 | Heat shield enameled 5kW | Enamelled steel |
| 7 | 14.11.001 | Conical fixation pin for pan support | Stainless steel |
| 8 | 12.00.003 | Silicone ring 5kW | Silicone |

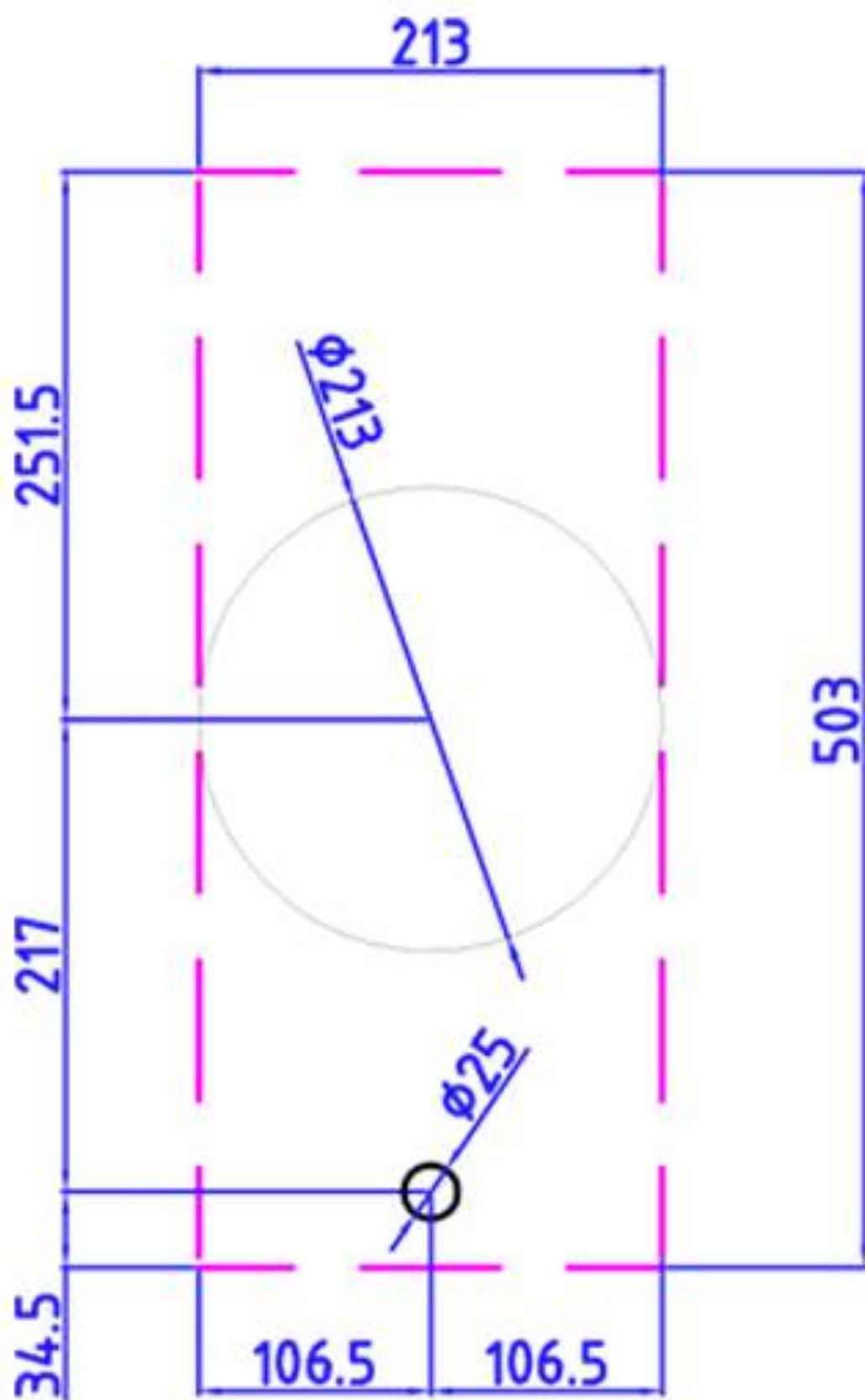
02.00.006 - Alu Heat Conductor for Azuma



13.00.001 - Control knob + sealing scale



| Reference Number | Component number | Description | Material |
|------------------|------------------|----------------|---------------------------|
| 1 | 13.00.005 | Control knob | Anodized aluminum & brass |
| 2 | 13.00.003 | Sealing scale | Anodized aluminum |
| 3 | 18.03.001 | Adhesive strip | - |



Azuma