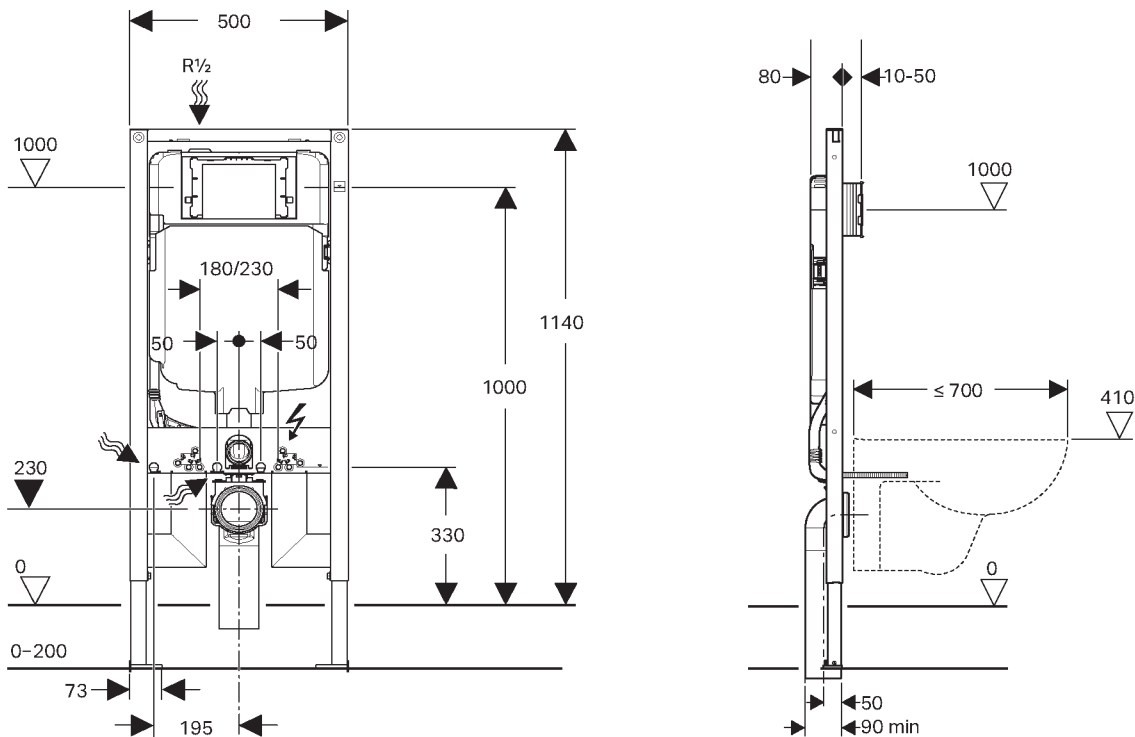


# Sigma8 Duofix Concealed Cistern with Frame

WH Cistern 4 Star 111.698.00.1



<b>Article No.</b>	111.697.00.1 (6/3L)   111.698.00.1 (4.5/3L)
<b>Installation type</b>	In-wall, stud 90mm
<b>WELS rating</b>	3 Star (6/3L) or 4 Star (4.5/3L)
<b>Pan type</b>	Wall hung, suits all major brands
<b>Standards</b>	Watermark
<b>Operating Pressure</b>	10-1000Kpa
<b>Operation</b>	Mechanical Front Flush
<b>Load rating</b>	400Kg
<b>Warranty</b>	15 years on cistern tanks and frames, 3 years on internal components

Sigma plates compatible with Sigma cisterns.

Sigma60: Requires minimum 30mm wall thickness

\* Separate service access required with pneumatic buttons

Quick Tip: To prevent Kee Seals and Flush Pipe going missing, the safe place to store them is in the transmission duct during rough-in stage.