

Product

- Stance® Slim wall mount basin mixer

Kohler Code

76695T-4ND-CP

**Optional Accessories**

- Concealed breach piece

Features

- Polished chrome
- Metal construction
- Ceramic disc valve
- Suitable for mains pressure
- Kohler finishes resist tarnishing and corrosion



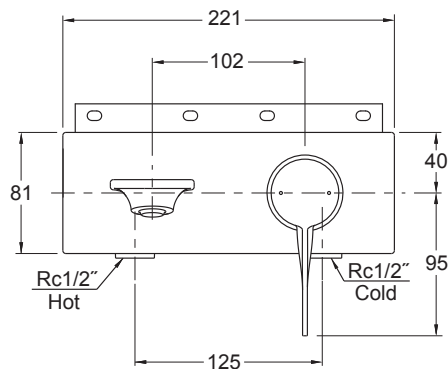
WELS RATING
(5 Star 6 Litres / min)

Related Products

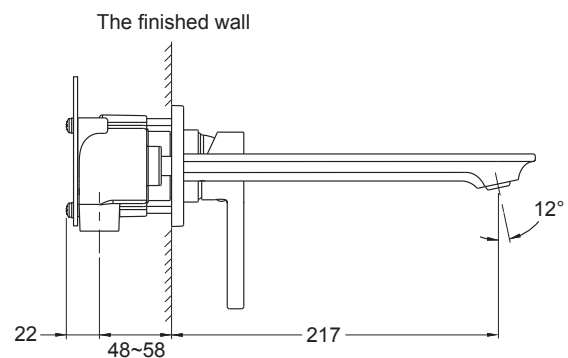
- Stance® Slim tapware

Technical Details

Front View



Side View

**Installation Notes:**

- Female Rc1/2" inlets.
- Optimum working pressure 300-500 kPa.
- Maximum hydrostatic pressure 800 kPa (This pressure may be exceeded only under test conditions).
- Maximum temperature 80°C.
- Where normal working pressure exceeds the maximum, pressure limiting valves should be installed.
- Inline filters should be used to protect tapware from debris that may be present within the plumbing.