

G 4203 SCU Active

Built-under dishwashers

with cutlery tray for maximum convenience at an attractive entry level price.



- Save up to 50 % more electricity – hot water connection
- Easy loading and unloading – Cutlery tray
- Very easy door opening and closing – ComfortClose
- Space for each individual item of cutlery – Miele basket design

Price \$ 1,599.00**

** GST inclusive

Construction type	
Built-under dishwasher	•
60 cm dishwasher	•
Design	
Colour	Stainless steel/CleanSteel
Control panel version	Straight fascia
Control type	Programme selector button
Display	3-digit 7-segment display
Display colour	Yellow
Convenience	
Door closing aid	ComfortClose
Operating noise dB(A) re 1 pW	46
Time left display	•
Delay start up to 24 hours	•
In-operation indicator light	Control indicator
Efficiency and sustainability	
Water consumption in the Automatic programme in l from	13.5
Consumption values with ThermoSave® in ECO programme in kWh	0.38
Hot water connection	•
Gentle treatment of crockery and glassware	
Active condensation drying	•
Wash programmes	
ECO	•
Automatic	•
Intensive 75 °C	•
Light soiling 50 °C	•
Gentle	•
Dishwashing options	
Short	•
Basket design	
Cutlery loading	Cutlery tray
FlexCare cup rack	1
Basket design	Comfort
Safety	
Waterproof system	•
Safety lock	•

G 4203 SCU Active

Built-under dishwashers

with cutlery tray for maximum convenience at an attractive entry level price.

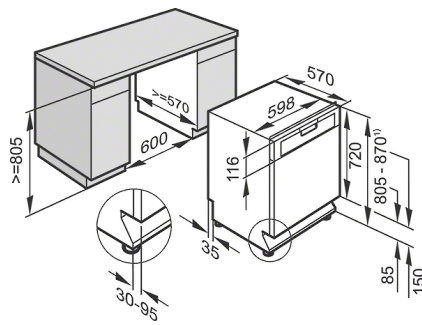


Technical data	
Niche width in mm	600
Niche height in mm	805
Niche depth in mm	570
Appliance width in mm	598
Appliance height in mm	805
Appliance depth in mm	570
Depth with door open in cm	116.5
Net weight in kg	47.5
Total rated load in kW	2.2
Voltage in V	230
Fuse rating in A	10
Number of phases	1
Length of water inlet hose in m	1.50
Length of water drain hose in m	1.50
Length of supply lead in m	1.90

G 4203 SCU Active

Built-under dishwashers

with cutlery tray for maximum convenience at an attractive entry level price.



G1000er, G5000er, G6000er built-under dishwashers
(installation drawing) with footnote

1) Appliance height max. 930 mm with plinth height
conversion kit (Mat.-Nr. 6.394.761)