

EMF2529DSD

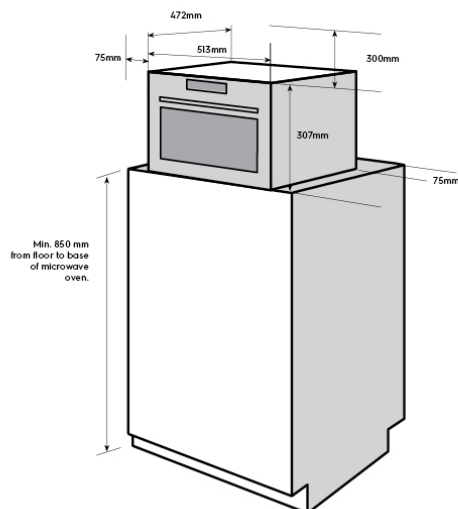
25L Dark stainless steel 7 function freestanding combination microwave, 10 auto cook programs and save your favourite program.

Features

- 10 auto cook programs
- Fan forced and grilling with microwave function
- Quick start reheat
- Save your favourite program
- Auto defrost by weight
- Childproof lock
- 5 power levels



Model:
EMF2529DSD



Product

Total height (mm) - 307, Total width (mm) - 513, Total depth (mm) - 472

Internal

Internal depth (mm) - 346, Turntable diameter (mm) - 315