

DA 2360

Extractor unit

with energy-efficient LED lighting and light-touch switches for easy use.



- Customised kitchen design – fully integrated in 584mm width
- Space-saving – suitable for narrow wall units over 30 cm deep
- Powerful – 600m³/h on the booster setting
- Efficient filtration – 10-layer stainless-steel grease filter
- Safe and easy to clean – Miele CleanCover

Price \$ 1,599.00**

** GST inclusive

Construction type	
Integrated extractor	•
Design	
Colour	No colour
RAL colours available as customisation on request	•
Customisation possible on request	•
Operating modes	
Type of air guide	Convertible
Active charcoal filter (order separately)	DKF19-1
User convenience	
Electronic controls	•
Light-touch controls	•
Power levels (number without Booster level)	3
Booster level	•
Cleaning convenience	
Easy-to-clean canopy interior – CleanCover	•
Filter system	
Number of dishwasher safe stainless steel grease filters	1
Lighting	
LED	•
Light intensity in Lx	350
Colour temperature in K	3,000
Fan	
Dual-action fan	•
AC motor	•
Air throughput with max. duct diameter in extraction mode (not for external version)	
Air throughput in Level 1 (m ³ /h)	250
Air throughput in Level 2 (m ³ /h)	300
Air throughput in Level 3 (m ³ /h)	360
Air throughput in Booster level (m ³ /h)	600
Sound power in Level 1 (dB(A) re 1 pW)	47
Sound power in Level 2 (dB(A) re 1 pW)	48
Sound power in Level 3 (dB(A) re 1 pW)	52
Sound power in Booster level (dB(A) re 1 pW)	64
Sound pressure in Level 1 (dB(A) re 20 µPa)	31
Sound pressure in Level 2 (dB(A) re 20 µPa)	34
Sound pressure in Level 3 (dB(A) re 20 µPa)	38
Sound pressure in Booster level (dB(A) re 20 µPa)	50

DA 2360

Extractor unit

with energy-efficient LED lighting and light-touch switches for easy use.

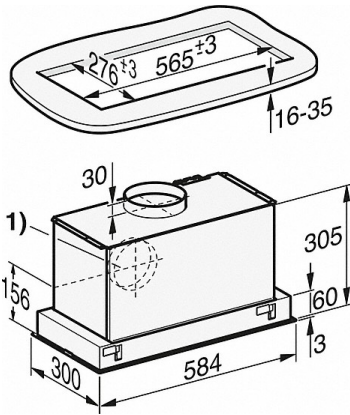


Air throughput in recirculation mode	
Air throughput in Level 1 (m ³ /h)	190
Air throughput in Level 2 (m ³ /h)	250
Air throughput in Level 3 (m ³ /h)	320
Air throughput in Booster level (m ³ /h)	500
Sound power in Level 1 (dB(A) re 1 pW)	54
Sound power in Level 2 (dB(A) re 1 pW)	60
Sound power in Level 3 (dB(A) re 1 pW)	64
Sound power in Booster level (dB(A) re 1 pW)	72
Sound pressure in Level 1 (dB(A) re 20 µPa)	39
Sound pressure in Level 2 (dB(A) re 20 µPa)	45
Sound pressure in Level 3 (dB(A) re 20 µPa)	49
Sound power in Booster level (dB(A) re 1 pW)	57
Safety	
Safety switch-off	•
Technical data	
Canopy width in mm	584
Canopy height in mm	63
Canopy depth in mm	297
Net weight in kg	11.0
Length of supply lead in m	1.5
Standard plug fitted	•
Total rated load in kW	0.23
Voltage in V	230
Fuse rating in A	10
Number of phases	1
Installation notes	
Extraction ducting connection at top	•
Extraction connection at top and rear	•
Diameter of extraction ducting connection in mm	150
Standard accessories	
Non-return flap	•
Adapter to reduce ducting diameter from 150 mm to 125 mm Ø	•

DA 2360

Extractor unit

with energy-efficient LED lighting and light-touch switches for easy use.



DA 2360 (Installation drawing)

1) Vent connection alternatively to rear

Miele Australia Pty Ltd

ACN 005 635 398
ABN 96 005 635 398

Miele Australia Pty Ltd

Head Office
1 Gilbert Park Drive
Knoxfield VIC 3180

Telephone: 1300 4 MIELE (1300 464 353)

www.miele.com.au

Miele Experience Centre Knoxfield

1 Gilbert Park Drive
Knoxfield VIC 3180

**Miele Experience Centre
South Melbourne**

206-210 Coventry Street
South Melbourne VIC 3205

**Miele Experience Centre
and Office Sydney**

3 Skyline Place
Frenchs Forest NSW 2086

Miele Experience Centre Brisbane

Tenancy 4C, 63 Skyring Terrace
Newstead QLD 4006

Miele Experience Centre Gold Coast

131 Ferry Road
Southport QLD 4215

**Miele Experience Centre
and Office Adelaide**

83-85 Sir Donald Bradman Drive
Hilton SA 5033

**Miele Experience Centre
and Office Perth**

205-207 Stirling Highway
Claremont WA 6010

Miele New Zealand Limited

IRD 98 463 631

Miele New Zealand Limited

Head Office
Level 2, 10 College Hill
Freemans Bay, Auckland 1011

Telephone: 0800 4 MIELE (0800 464 353)

www.miele.co.nz

Miele Experience Centre Auckland

8 College Hill
Freemans Bay Auckland 1011

Miele Experience Centre Wellington

183 Featherston Street
Wellington 6011

Miele & Cie. KG

Carl-Miele-Straße 29
33332 Gütersloh
Postfach, 33325 Gütersloh
Telefon +49 5241 89-0
Telefax +49 5241 89-2090
E-Mail: info@miele.de



shop.miele.com.au



shop.miele.co.nz