



**BS484112**  
**Combi-steam oven 400 series**  
**Stainless steel-backed full glass door**  
**Width 76 cm**  
**right-hinged**  
**Controls at the bottom**

Handleless door / automatic door opening  
 Fixed inlet and outlet water connection  
 Cleaning system, fully automatic  
 Large cavity  
 2 LED light sources  
 External steam generation  
 Steaming without pressure  
 Hot air 30 °C to 230 °C can be combined with chosen humidity level of 0%, 30%, 60%, 80% or 100%  
 Sous-vide cooking with accurate temperature regulation  
 Full surface grill behind glass ceramic, combinable with circulated air up to 230 °C and steam  
 Automatic programs  
 Core temperature probe with estimation of cooking time  
 Hot air fan rotates in both directions for ideal heat distribution  
 TFT touch display  
 Panel-free appliance with surface control module  
 Electronic temperature control from 30 °C to 230 °C  
 Net volume 50 litres

**Heating methods**  
 Hot air + 100 % humidity. Hot air + 80 % humidity. Hot air + 60 % humidity. Hot air + 30 % humidity. Hot air + 0 % humidity. Low temperature cooking. Sous-vide cooking. Full surface grill level 1 + humidity. Full surface grill level 2 + humidity. Full surface grill + circulated air. Dough proofing. Defrosting. Regenerating.

**Handling**  
 Automatic door opening. Rotary knob and TFT touch display operation. Clear text display. Option to save individual recipes (incl. core temperature probe). Personalisation of automatic programs. Information key with use indicators. Side-opening door opens up to 180° angle.

**Features**  
 Full surface grill 2000 W behind glass ceramic.  
 Steam removal.  
 Misting.  
 Three-point core temperature probe with automatic shut-off and estimation of cooking time.  
 Automatic programs.  
 Actual temperature display.  
 Timer functions: cooking time, cooking time end, timer, stopwatch, long-term timer.  
 Automatic boiling point detection.  
 Capacity display for filter cartridge (if connected to GF 111 100 descaling system).  
 2 x LED lights on the side.  
 Hygienic stainless steel cooking interior.  
 3 tray levels.  
 Home network integration for digital services (Home Connect) either via cable connection LAN (recommended) or wireless via WiFi.

**Characteristics**  
**Color / Material Front**  
 Stainless steel  
**Built-in / Free-standing**  
 Built-in  
**Door opening**  
 Lateral  
**Required niche size for installation (HxWxD)**  
 450-450 x 724-724 x 550  
**Dimensions of the product (mm)**  
 455 x 752 x 540  
**Dimensions of the packed product (HxWxD) (mm)**  
 600 x 825 x 700  
**Control Panel Material**  
 Door Material  
 Stainless steel behind glass  
**Net weight (kg)**  
 52.282

**Approval certificates**  
 Australia Standards, CCC, CE, China, China ROHS 20, Eurasian, G-Mark, Ukraine, VDE  
**Length electrical supply cord (cm)**  
 175  
**EAN code**  
 4242006277611

**Consumption and connection features**  
**Electrical connection rating (W)**  
 Current (A)  
 16  
**Voltage (V)**  
 220-240  
**Frequency (Hz)**  
 50  
**Plug type**  
 Gardy plug w/ earthing  
**Approval certificates**  
 Australia Standards, CCC, CE, China, China ROHS 20, Eurasian, G-Mark, Ukraine, VDE  
**Number of cavities (2010/30/EC)**  
 1  
**Usable volume (of cavity) - NEW (2010/30/EC)**  
 50  
**Energy efficiency class (2010/30/EC)**  
 A  
**Energy consumption per cycle conventional (2010/30/EC)**  
**Energy consumption gas oven per cycle conventional (2010/30/EC)**  
**Energy consumption per cycle forced air convection (2010/30/EC)**  
 0.72  
**Energy consumption gas oven per cycle forced air convection (2010/30/EC)**  
**Energy efficiency index (2010/30/EC)**  
 94.7

**2020-03-05**  
 Page 1

The use of the Home Connect functionality depends on the Home Connect services, which are not available in every country. For further information please check: home-connect.com.

**Safety**  
 Child lock.  
 Safety shut-off.  
 Cooled housing with temperature protection.

**Cleaning**  
 Cleaning program, fully automatic.  
 Descaling program for the steam generator.  
 Drying program.  
 Automatic drying of the cavity at the end of the cooking process.  
 Strainer filter, removable.  
 Demo cleaning program.

**Planning notes**  
 Door hinge not reversible.  
 No other electrical appliances should be installed above the BS.  
 At no point may the outlet hose be positioned higher than the bottom edge of the appliance. The outlet hose must also be at least 100 mm lower than the appliance outlet (see drawing "drainage connection").  
 Inlet hose can be extended once. The outlet hose must not be longer than a maximum of 5 m.  
 The water connection (1) for the inlet hose must always be accessible and not located directly behind the appliance.

The connection of the outlet hose to the siphon (2) must not be directly behind the appliance and should be accessible.  
 The descaling system GF 111 100 (3) must be installed when connecting the appliance if the water hardness exceeds 7° dH.  
 The door panel surface of the appliance extends 47 mm from the furniture cavity.  
 Consider the overhang when planning to open drawers next to the appliance.  
 When planning a corner solution, pay attention to the 90° door opening angle.

The mains socket needs to be planned outside the built-in niche.

**Connection**  
 Total connected load 3.1 KW.  
 Only cold water connection.  
 Inlet hose 3.0 m with 3/4 " (26,4 mm) connection, extendable.  
 Outlet hose (ø 24 mm) 3.0 m (HT-Hose).  
 Connecting cable 1.8 m without plug.  
 Plan a LAN cable.  
 Power consumption standby/display on 0.8 W.  
 Power consumption standby/display off 0.5 W.  
 Power consumption standby/network 1.8 W.  
 Time auto-standby/display on 20 min.  
 Time auto-standby/display off 20 min.  
 Time auto-standby/network 20 min.  
 Please check the user manual for how to switch off the WiFi module.

**Color Variants**  
**BS484112**  
**Stainless steel-backed full glass door**  
**Width 76 cm**

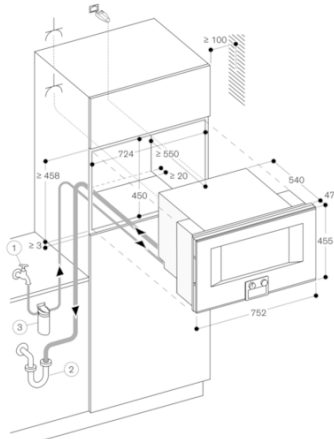
**Included accessories**  
 1 x outlet hose 3m.  
 1 x grid.  
 1 x pluggable meat probe.  
 1 x water inlet hose 3m.  
 1 x STS tray.  
 punched.  
 40 mm deep.

**Optional accessories**  
**BA010301**  
**3-level telescopic rails**  
**BA020360**  
**BA020370**  
**BA020380**  
**Cooking container, non-stick, unperforated, 40 mm deep, 5 l.**  
**BA020390**  
**Insert, non-stick, perforated, 40 mm deep, 5 l.**  
**CLS10040**  
**Cleaning cartridges, set of 4**  
**CLS30040**  
**GN010330**  
**GN114130**  
**GN114230**  
**GN124130**  
**GN124230**  
**GN340230**  
**Gastronorm roaster in cast aluminium.**

**Installation Accessories**  
**GZ010011**

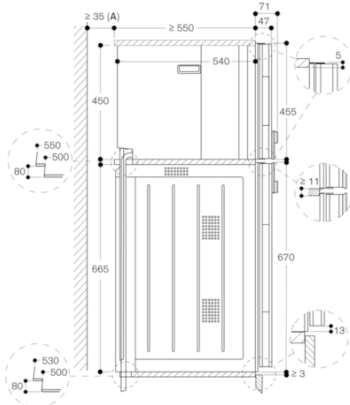
**Product Variants**  
**BS485112**  
**Combi-steam oven 400 series**  
**Stainless steel-backed full glass door**  
**Width 76 cm**  
**left-hinged**  
**Controls at the bottom**

BS484112  
 Combi-steam oven 400 series  
 Stainless steel-backed full glass door  
 Width 76 cm  
 right-hinged  
 Controls at the bottom  
 2020-03-05  
 Page 2



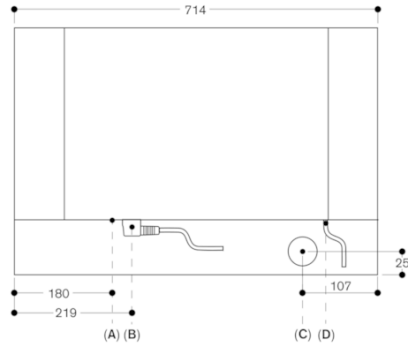
Socket  
 measurements in mm

Side view of BS 484/485 above BO



A: Only required if the water hoses for the BS steam oven cannot be accommodated in the corner recesses of the appliances.  
 measurements in mm

View from rear



- A: LAN connection
- B: Electric terminal box
- C: Water outlet
- D: Cold water inlet

measurements in mm