

WALL1800SLH



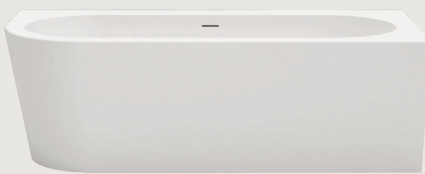
EVOLUTIONARY

FAVORED DESIGN ENHANCED IN A SPACE SAVING FORM. THIS MODERN STYLE BATHTUB ALLOWS ONE-SIDED WALL CONNECTION. PRETTIFY YOUR BATHROOM EVEN IF THERE IS ONLY MINIMUM SPACE.

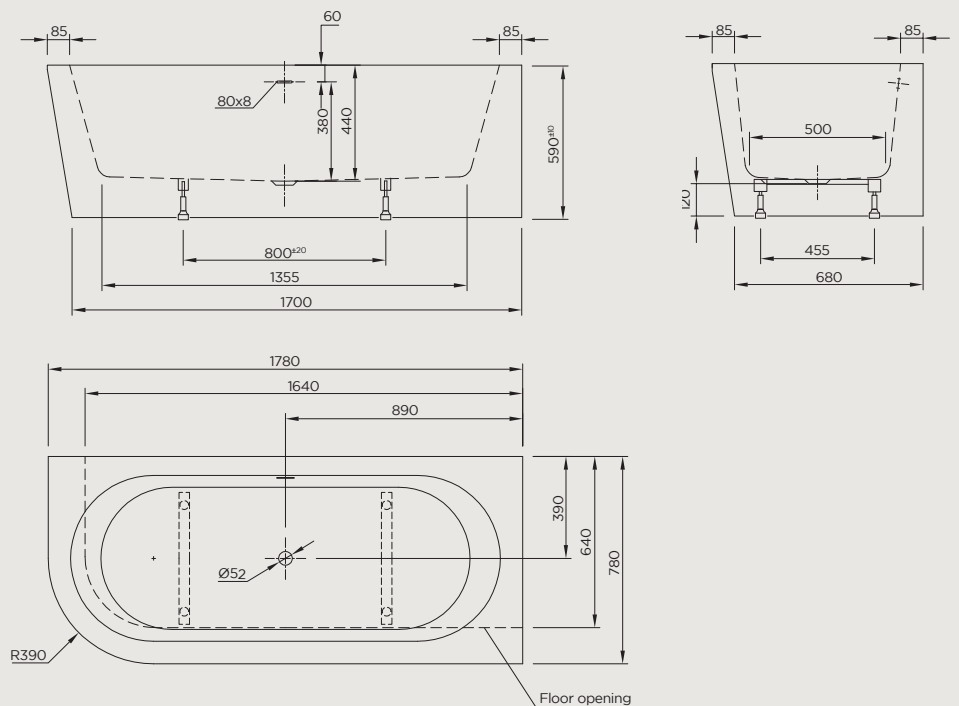
SPECS

MODEL CODE	WALL1800SLH	WALL1800SLHMATTWH
COLOUR	<input type="radio"/> Gloss white	<input type="radio"/> Matt white
DIMENSIONS	1,800 X 800 X 600 mm	
WEIGHT	48 kg maximum weight (depending on configuration)	
VOLUME	250 litres	
BATH WASTE KIT		
GLOSS WHITE BATH	Factory fitted slot over flow system with click clack waste, in chrome finish	
MATT WHITE BATH	Factory fitted slot over flow system with click clack waste, in matt white finish	

SIDE VIEW



TECHNICAL DRAWING



TOP VIEW

