



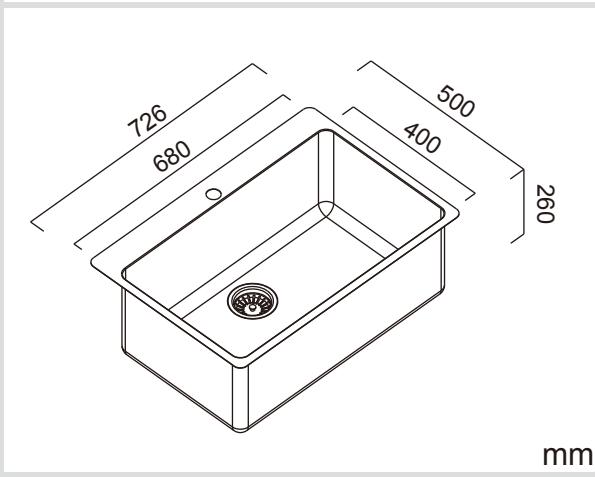
Model Code: LT70

### Included Accessories

ICP	6020	

### Optional Accessories


### Dimensions



### Specifications

Description	Single bowl, inset sink
Overall Sink Size	726mm x 500mm x 260mm deep
Bowl Dimensions	680mm x 400mm x 260mm deep
Drainer Length	N/A
Technic	Pressed
Material	Stainless steel SUS304

### Installation

Fixings	Inset clips supplied
Template	N/A
Min Cabinet Size	700mm
Waste Holes	1 x 90mm round Compatible with waste disposal
Sealing Strip	Factory fitted

### Plumbing

Waste Fittings	1 x (90mm x 2") basket waste included
Overflow	Available, conditions apply

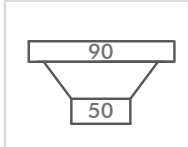
### Packaging

Carton Type	EPS protection & carton
Gross Weight	8Kg
Carton Size	800mm x 335mm x 580mm
Pack QTY	1

#### SURFACE FINISH



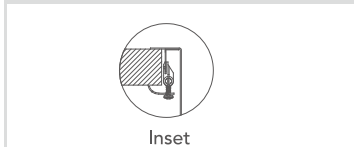
#### WASTE KIT



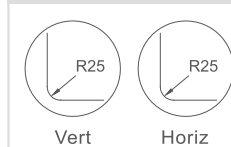
#### MATERIAL



#### INSTALLATION OPTIONS



#### PROFILE



Abey are Australia's leaders in sinkware, designing and manufacturing to the world's highest quality specifications as well as sourcing and bringing you Europe's very best, leading edge designs – practical, affordable, inspirational, stylish, timeless or cutting edge. When you buy an Abey stainless steel sink you receive the highest quality and 25 year warranty. Abey and the manufacturer are continually seeking ways to improve the design specifications, aesthetic and production techniques of the products. As a result, alterations to the specifications and dimensions of the products and designs occur continually.