

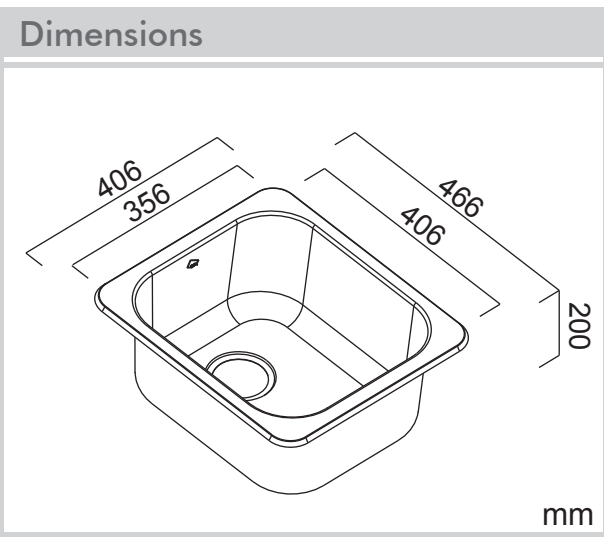




Model Code: AL100

Included Accessories		
		
Inset Clip	6020	

Optional Accessories		

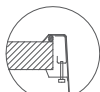


Specifications	
Description	Single bowl, inset sink
Overall Sink Size	406mm x 466mm x 200mm deep
Bowl Dimensions	356mm x 406mm x 200mm deep
Drainer Length	N/A
Technic	Pressed
Material	Stainless steel SUS304

Installation	
Fixings	Inset clips supplied
Template	N/A
Min Cabinet Size	426mm
Waste Holes	1 x 90mm round Compatible with waste disposal
Sealing Strip	Factory fitted

<p><b>SURFACE FINISH</b></p>  <p>Cashmere</p>	<p><b>WASTE KIT</b></p> 	<p><b>MATERIAL</b></p>  <p>Stainless Steel</p>
--	---	---

Plumbing	
Waste Fittings	1 x (90mm x 2") basket waste included
Overflow	Available, conditions apply

<p><b>INSTALLATION OPTIONS</b></p>  <p>Inset</p>	<p><b>PROFILE</b></p>
---	-----------------------

Packaging	
Carton Type	EPS protection & sleeve
Gross Weight	2.26Kg
Carton Size	530mm x 485mm x 225mm
Pack QTY	1

Abey are Australia's leaders in sinkware, designing and manufacturing to the world's highest quality specifications as well as sourcing and bringing you Europe's very best, leading edge designs – practical, affordable, inspirational, stylish, timeless or cutting edge. When you buy an Abey stainless steel sink you receive the highest quality and 25 year warranty. Abey and the manufacturer are continually seeking ways to improve the design specifications, aesthetic and production techniques of the products. As a result, alterations to the specifications and dimensions of the products and designs occur continually.