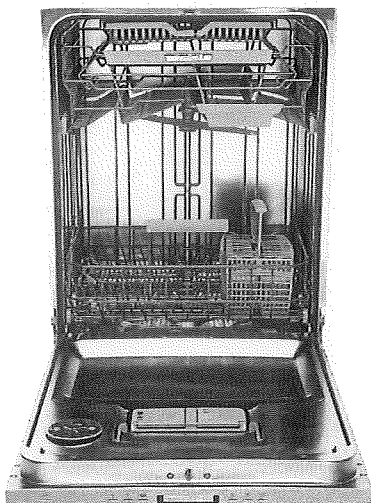


DFI654B



XL 82CM FULLY INTEGRATED DISHWASHER

General description

Turbo Drying™ - Fan assisted moist air extraction

Style

Installation type: Fully integrated

Size: XL, 82 cm

Number of baskets: 3

15 place settings

8 Steel, SCS+

Top cutlery tray: Top Tray with Instant Lift™; Top Tray with Instant Lift™; Rack for knives (top); Rack for bowls (top); Telescopic rails for top tray; Handle (top)

Upper rack type: Premium - two foldable wine shelves, fixed pin rows and one foldable glass support

Lower rack type: Premium - foldable pin rows

Removable cutlery basket for easy unloading

\$2199

Price Including GST

S⁸

8 Steel

SCS+

SCS+

Construction & Performance

Welded stainless steel container

Exterior float

Stand by water protection

Anti-block drain pump

8 Steel™ construction

Hidden heater

SCS+ (Super Cleaning System+)

Sensi Clean™ Sensor - detects the dirtiness level

Number of spray arms: 3

Number of spray zones: 9

Jet Spray

Wide Spray - A spray zone for pots and pans

Cutlery Power Zone

Use & Flexibility

Number of place settings: 15 place settings

Number of baskets: 3

Top cutlery tray: Top Tray with Instant Lift™; Top Tray with Instant Lift™; Rack for knives (top); Rack for bowls (top); Telescopic rails for top tray; Handle (top)

Upper rack type: Premium - two foldable wine shelves, fixed pin rows and one foldable glass support

Height adjustable top basket: Yes

Programs, options and modes

13 programs: Auto wash; Eco wash; Hygiene wash;

Time program; Plastic wash; Heavy wash; Rinse and

hold; Sanitation wash; Upper half wash; Lower half wash;

Crystal glass; Quick Pro wash; Self-cleaning

Delayed start: Variable start delay up to 24 hours

Super rinse

Time set

Green mode

Speed mode

Night mode

Intensive mode

Extra dry

High temperature

Super rinse

Design & Integration

From front adjustable door spring

From front adjustable rear foot

Velcro strips - easy mounting of door panel

Simplified installation with integrated anti-siphon

Min width: 600 mm

Min height: 820 mm

Depth (incl. wall spacing): 560 mm

ASKO Appliances Pty Ltd - 35 Sunmore Close - MOORABBIN VIC 3189

Phone: 1300 00 2756 - Fax: 03 8551 2220

Email Address: sales@asko.com.au - www.asko.com.au

ASKO
inspired by Scandinavia

Easy sliding telescope rails with ball bearings for the upper basket
Lower rack type: Premium - foldable pin rows
Dense basket wiring in both upper and lower basket
Removable cutlery basket for easy unloading
Internal LED light: 2 LED lights
Required inlet water pressure: 0,03-1 MPa

Interaction & Control

Display type: LCD display
Customizable programs: Program memory
Number of programs: 13
Number of options: 8
Digital countdown indicator: Time remaining indicator
Wash end indication: Visual and sound indication washing end

Height setting: 50 mm
Kick plate adjustable depth: 30-94 mm

Safety & Maintenance

Aqua Safe™
Kid Safe™ - panel
Rinse-aid indication: Notification in display

Technical data

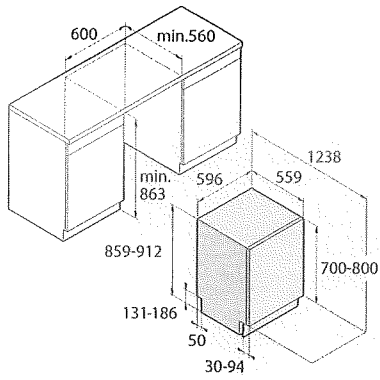
Size: 3/4" Can be connected to hot or cold water
Max. temperature of inflow water: 70 °C
Noise level: 42 dB(A)re 1 pW
Reference program: 1
Total cycle time of reference program (min): 169 min
Estimated yearly energy consumption: 295 kWh
Energy consumption reference program: 0,78 kWh
Energy stars: 3,5
Water stars: 5
Water consumption: 12,2 l
Consumption in off mode: 0,5 W
Consumption in standby mode: 2 W
Plug type: Australia
Connection rating: 2000 W
Voltage: 220-240 V
Number of phases: 1
Current: 10 amp
Frequency: 50 Hz
Required inlet water pressure: 0,03-1 MPa
Net weight: 47 kg
Yes
Yes

Dimensions

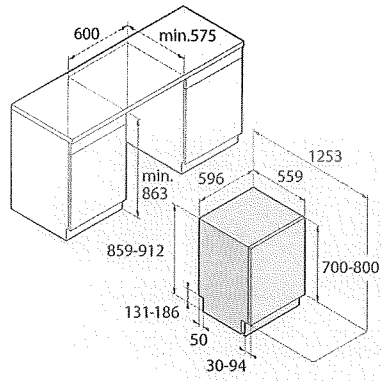
Width: 596 mm
Height: 819 mm
Depth: 559 mm
Maximum product height: 869 mm
Length electrical cord: 1825 mm
Depth with door open: 1198 mm
Length inlet hose: 163 cm
Length outlet hose: 200 cm

Logistic information

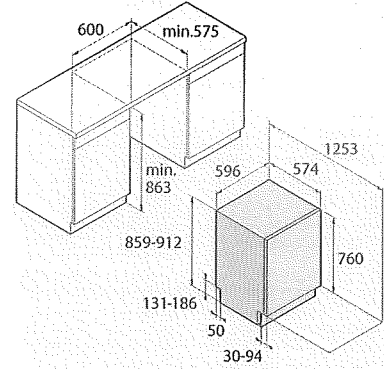
Packaging width: 640 mm
Packaging height: 890 mm
Packaging depth: 680 mm
Gross weight: 50,3 kg
Product code: 729063
EAN code: 3838782066993



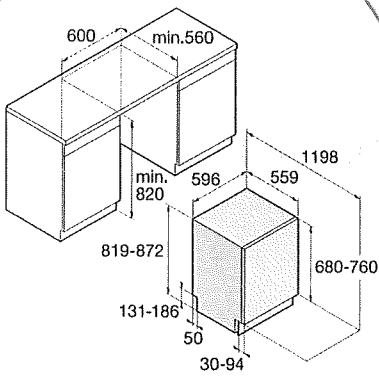
DFI654BXXL



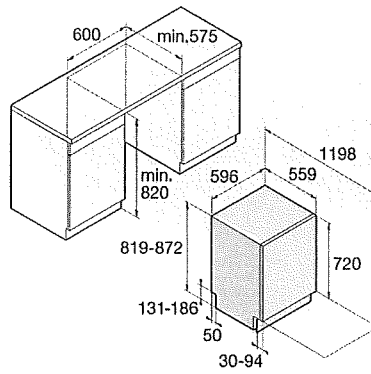
DFI666GXXL



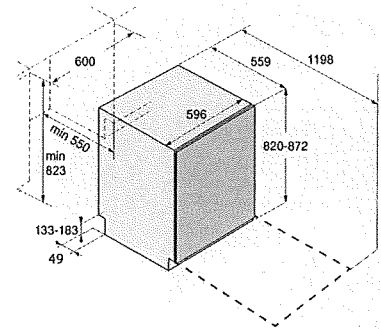
DBI865IGXXL.S, DBI654IBXXL.S



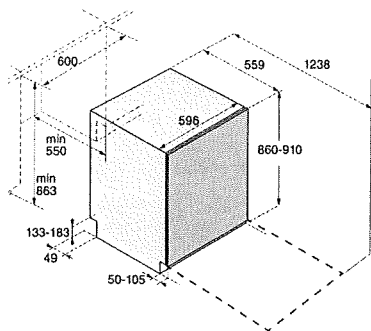
DFI654B, DFI643



DBI654IB.S



D5424S, D5424W, D5436S, D5436W, C5456W, D5456S, D5646S



D5436XXLS