



Model Code: SAL420D

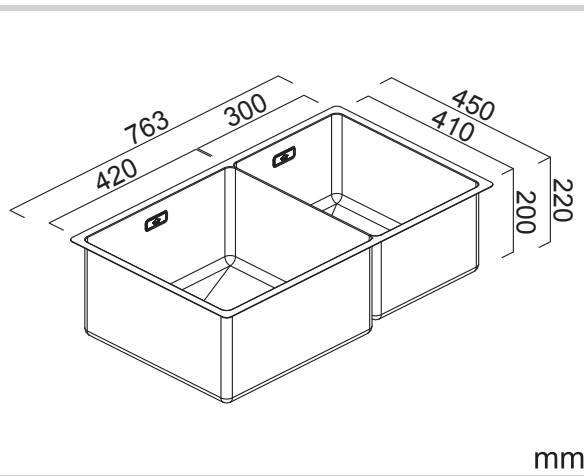
### Included Accessories

6020/OFLOW3	WKEK	UMG	ICM12
DTA27	CBF261	CNA-3-845	

### Optional Accessories

CBB328	COA53	

### Dimensions



### Specifications

Description	Double Bowl, Inset/Undermount Sink
Overall Sink Size	763mm x 450mm x 220mm deep
Bowl Dimensions	420mm x 410mm x 220mm deep 300mm x 410mm x 200mm deep
Drainer Length	N/A
Technic	Fabrication
Material	Stainless steel SUS304

### Installation

Fixings	Inset & Undermount clips supplied
Template	N/A
Min Cabinet Size	900mm
Waste Holes	2 x 90mm round Compatible with waste disposal

### Plumbing

Waste Fittings	2 x (90mm x 2") basket waste included
Overflow	Rectangular Overflow

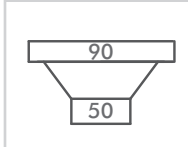
### Packaging

Carton Type	EPS protection & skirt
Gross Weight	13.55Kg
Carton Size	863mm x 286mm x 513mm
Pack QTY	1

#### SURFACE FINISH



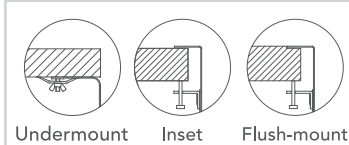
#### WASTE KIT



#### MATERIAL



#### INSTALLATION OPTIONS



#### PROFILE

