

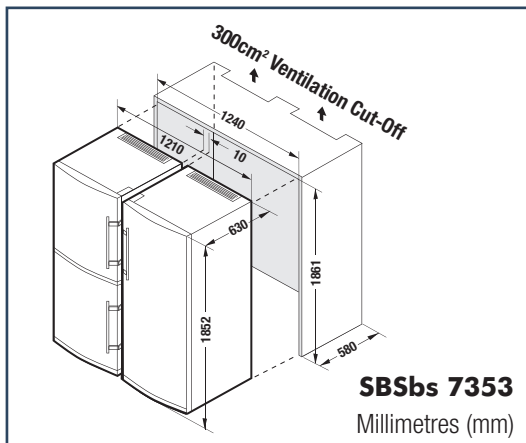
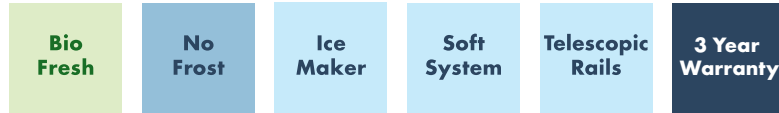
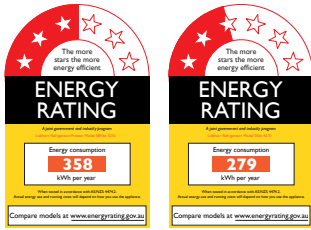
**SIDE BY SIDE COMBINATIONS**

**SBSbs 7353**



**LIEBHERR**

Quality, Design and Innovation



Whilst every effort is made to ensure all specifications and information in this flyer are correct at time of printing, Andi-Co Australia Pty. Ltd. reserve the right to make changes without notification. Where actual appliance measurements, specifications and ratings are crucial, we recommend that the actual appliance installation instructions that accompany each appliance be checked. Andi-Co Australia will not be liable for any loss.

Model	SBSbs 7353*	
*Side-by-Sides comprised of two models	SBNbs 3210	SKbs 4210
Type I Finish	FS I BlackSteel	FS I BlackSteel
Energy consumption (kWh/yr) I Star rating	358kWh I 3.0	279kWh I 2.5
Compressors	1	1
Total capacity litres (L) - Gross I Net	321 I 276	405 I 391
Refrigerator gross (L) I Refrigerator net (L)	-	405 I 391
Freezer gross (L) I Freezer net (L)	150 I 119	-
BioFresh gross (L) I BioFresh net (L)	171 I 157	-
MagicEye control system I Display	SoftTouch I LCD	SoftTouch I LCD
Child proof setting for display & temp.	•	•
LED standard lighting	-	•
SlimLine handle - integrated opening device	•	•
Door open warning signal	•	•
Temperature alarm	•	-
Malfunction warning signal	•	•

### Refrigerator Features

BioFresh drawers on telescopic rails	2	-
Fruit & vegetable drawer on telescopic rails	-	2
SuperCool	N/A	•
GlassLine shelves	•	•
Elegant holding columns	•	•
Removable VarioBoxes	N/A	•
Bottle shelf I Egg tray	- I N/A	• I •
Automatic refrigerator defrosting	•	•

### Freezer Features

Freezer defrosting	Frost Free	N/A
FrostSafe system with transparent drawers	•	N/A
Freezer drawers I Ice cube drawer	4 I 1	N/A
SuperFrost	•	N/A
VarioSpace	•	N/A
24hr freezing capacity (kg)	14	N/A
Cold storage accumulators	2	N/A
IceMaker	•	N/A
Ice cube capacity (kg/24h)	0.8	N/A
Ice cube stock max. (kg)	1.5	N/A
Stainless steel hose supplied (m)	1.5	N/A

### Technical Information

Default hinge	Left	Right
Voltage (V) I Current (A)	220-240 I 1.4	220-240 I 1.2
Made in	Germany	Germany

KEY: FS = Freestanding, N/A = Not Applicable, \* = Freestanding side by sides consist of two Liebherr models. These models can be purchased separately. Cavity clearance for freestanding units please allow min. 50 mm above the unit if there is no ventilation cut-out.