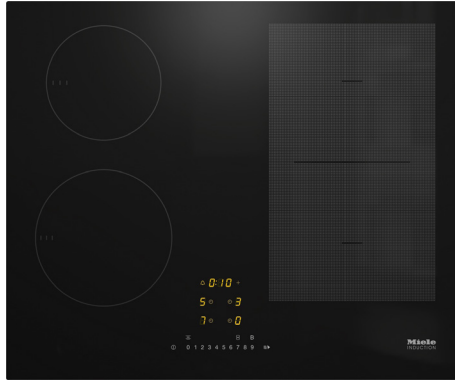


## KM 7464 FL

Induction cooktop

Onset controls with PowerFlex cooking zone for maximum versatility and performance.



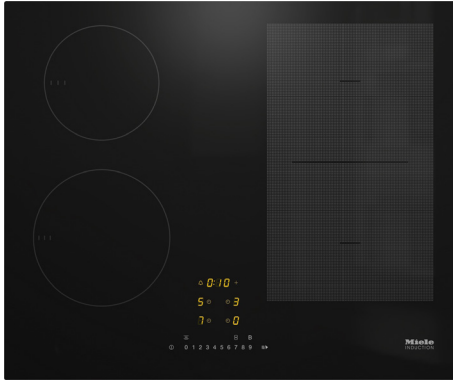
- Intuitive selection via numerical linear keybank - ComfortSelect
- Attractive design - 620 mm wide with all-round frame
- Versatile and fast - 4 cooking zones including 1 PowerFlex area
- Comm. with the rangehood - automatic function Con@ctivity 3.0
- Broad performance spectrum - keeping warm function and TwinBooster

<b>Heating type</b>	
Heating type	Induction
<b>Construction type</b>	
Independent of oven	•
<b>Design</b>	
Elegant glass ceramic surface	•
Print design	LightPrint
Frameless design	•
<b>Zone details</b>	
Number of zones	4
<b>PowerFlex zones</b>	
Number	2
Diameter in mm	150x230
Power rating in W	2100
Booster in W	3000
TwinBooster in W	3650
<b>Zones</b>	
Position	front left
Type	Dual-circuit ring
Diameter in mm	Ø 140-190
Power rating in W	1850
TwinBooster in W	3000
Position	rear left
Type	Dual-circuit ring
Diameter in mm	Ø 100-160
Power rating in W	1400
TwinBooster in W	2200
Position	right
Type	PowerFlex bridge
Diameter in mm	230x390
Power rating in W	3400
Booster in W	4800
TwinBooster in W	7300
<b>User convenience</b>	
Operation via touchpad controls	ComfortSelect
Pan/Pan-size sensors	•
Stop & Go function	•
Minute minder	•
Automatic switch-off for all zones	•
AutoBoost	•
Keeping warm	•
Individual setting options (e.g. audible signal tones)	•
<b>Indicators</b>	
Digital power level display	•
<b>Appliance networking</b>	
Automatic function Con@ctivity 3.0	Pre-equipped
<b>Cleaning convenience</b>	
Easy to clean ceramic surface	•
<b>Safety</b>	
Safety cut-out	•
Lock function	•
System lock	•
Integrated cooling fan	•
Overheating protection	•
Residual heat indicator	•

KM 7464 FL

Induction cooktop

Onset controls with PowerFlex cooking zone for maximum versatility and performance.



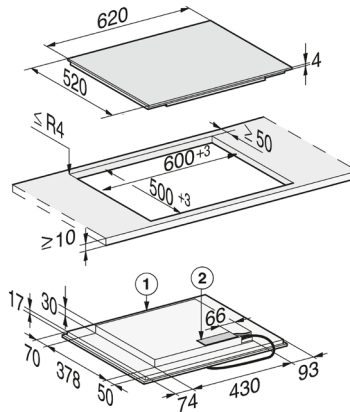
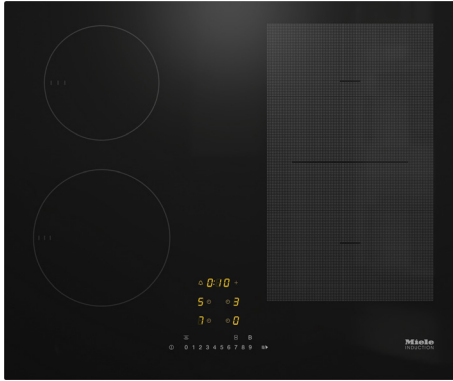
Technical data	
Dimensions in mm (width)	620
Dimensions in mm (depth)	520
Built-in height with mains connection box in mm	51
Cutout dimensions in mm (width)*	600
Cutout dimensions in mm (depth)*	500
Total connected load in kW	7.4
Weight in kg	12
Voltage in V	230
Frequency in Hz	50-60
Number of phases	1
Cable length in m	1.4
Standard accessories	
Connection cable	•

\*See installation drawings for flush installation cutout

## KM 7464 FL

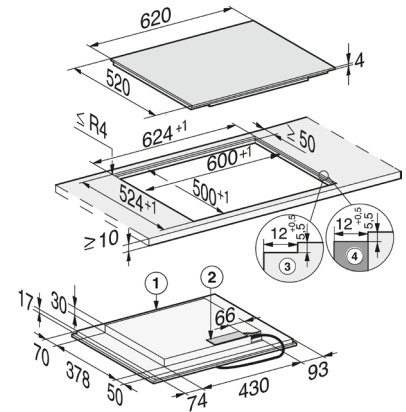
Induction cooktop

Onset controls with PowerFlex cooking zone for maximum versatility and performance.



KM 7464 FL PowerFlex - (Proud Installation drawing)

1. Front
2. Mains connection box, mains connection cable,  
L = 1440 mm, supplied loose



KM 7464 FL - (flush installation drawings)

1. Front
2. Mains connection box with mains connection cable  
L = 1440 mm
3. Stepped cut-out natural stone worktop
4. Wood support 12 mm (not supplied)