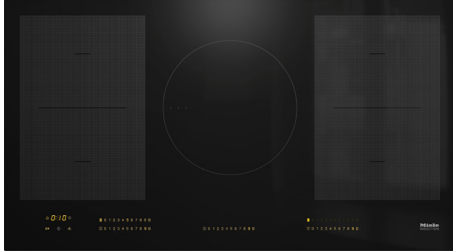


## KM 7594 FL

### Induction cooktop

Onset controls in maximum width for the ultimate in cooking and user convenience.



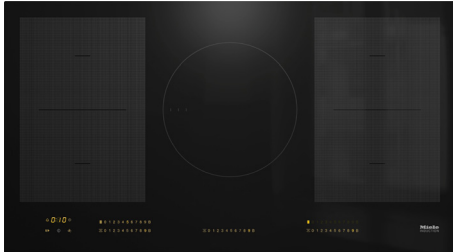
- Quick selection using numerical linear keybanks - SmartSelect
- Premium design - 936 mm wide with frameless design
- Versatile and fast - 5 cooking zones including 2 PowerFlex areas
- Comm. with the rangehood - automatic function Con@ctivity 3.0
- Broad performance spectrum - keeping warm function and TwinBooster

<b>Heating type</b>	
Heating type	Induction
<b>Construction type</b>	
Independent of oven	•
<b>Design</b>	
Elegant glass ceramic surface	•
Ceramic surface colour	Black
Print design	LightPrint
<b>Zone details</b>	
Number of zones	4
<b>PowerFlex zones</b>	
Number	4
Diameter in mm	150x230
Power rating in W	2100
Booster in W	3000
TwinBooster in W	3650
<b>Zones</b>	
Position	left
Type	PowerFlex bridge
Diameter in mm	230x290
Power rating in W	3400
Booster in W	4800
TwinBooster in W	7300
Position	right
Type	PowerFlex bridge
Diameter in mm	230x290
Power rating in W	3400
Booster in W	4800
TwinBooster in W	7300
Position	centre
Type	Vario Cooking Zone
Diameter in mm	180x280
Power rating in W	2600
Booster in W	3000
TwinBooster in W	3650
<b>User convenience</b>	
Operation via touchpad controls	SmartSelect
Digital power level display	•
Pan/Pan-size sensors	•
Stop & Go function	•
Minute minder	•
Automatic switch-off for all zones	•
AutoBoost	•
Keeping warm	•
Individual setting options (e.g. audible signal tones)	•
<b>Appliance networking</b>	
Automatic function Con@ctivity 3.0	Pre-equipped
<b>Cleaning convenience</b>	
Easy to clean ceramic surface	•

## KM 7594 FL

Induction cooktop

Onset controls in maximum width for the ultimate in cooking and user convenience.



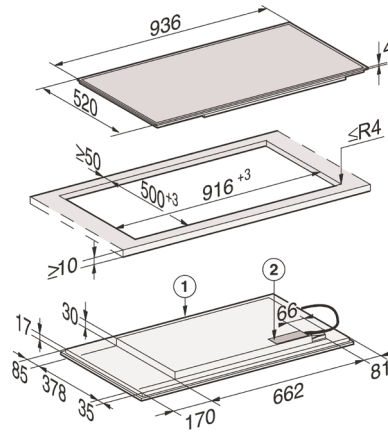
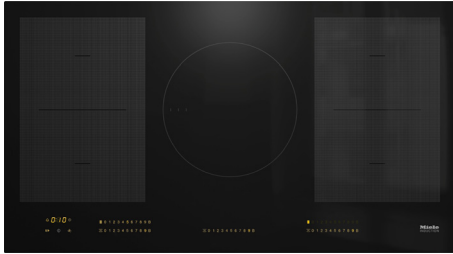
<b>Safety</b>	
Safety cut-out	•
Lock function	•
System lock	•
Fault monitoring	•
Integrated cooling fan	•
Overheating protection	•
Residual heat indicator	•
<b>Technical data</b>	
Dimensions in mm (width)	936
Dimensions in mm (depth)	520
Built-in height with mains connection box in mm	51
Cutout dimensions in mm (width)*	916
Cutout dimensions in mm (depth)*	500
Total connected load in kW	11.04
Weight in kg	16
Voltage in V	230
Frequency in Hz	50-60
Cable length in m	1.4
<b>Standard accessories</b>	
Connection cable	•

\* Please refer to installation drawings for flush cutout dimensions

## KM 7594 FL

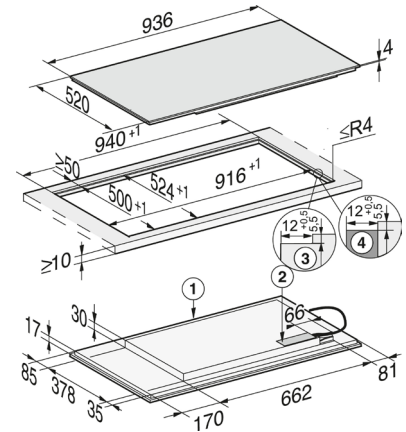
Induction cooktop

Onset controls in maximum width for the ultimate in cooking and user convenience.



KM 7594 FL - (Installation drawing)

1. Front
2. Mains connection box, mains connection cable, L = 1440 mm, supplied loose



KM 7594 FL - (flush installation drawings)

1. Front
2. Mains connection box with mains connection cable, L = 1440 mm
3. Stepped cut-out natural stone worktop
4. Wood support 12 mm (not supplied)