

Product

- July kitchen mixer

Kohler Code

16084A-4-CP

**Included Components**

- Braided stainless steel hoses

Features

- Polished chrome
- Metal construction
- Ceramic disc valve
- Suitable for mains pressure
- KOHLER finishes resist tarnishing and corrosion



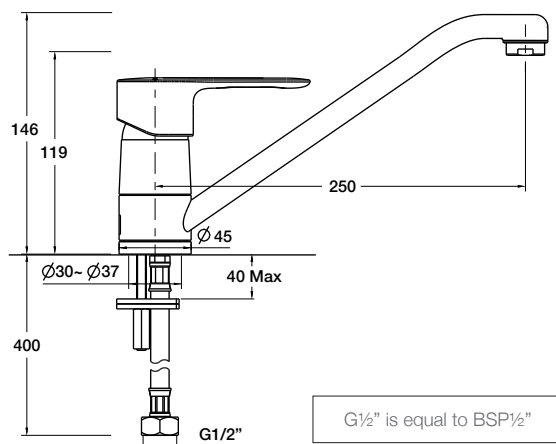
WELS RATING
(4 Star 7.5 Litres / min)

Related Products

- July tapware
- July accessories

Technical Details

Side View

**Installation Notes:**

- Optimum working pressure 300-500 kPa.
- Maximum hydrostatic pressure 800kPa. (This pressure may be exceeded only under test conditions).
- Maximum temperature 80°C.
- Maximum bench thickness is 40mm.
- Where normal working pressure exceeds the maximum, pressure limiting valves should be installed.
- Inline filters should be used to protect tapware from debris that may be present within the plumbing.