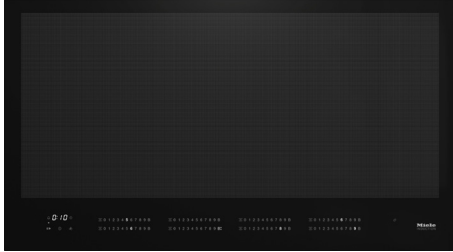


## KM 7897 FL

Induction cooktop

Onset controls with full surface technology for the ultimate in flexibility.



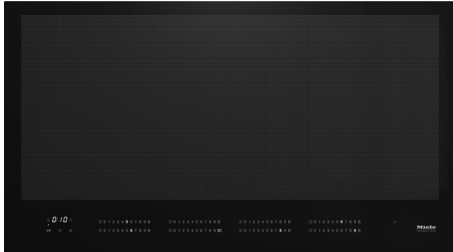
- Intuitive selection via numerical linear keybank - SmartSelect White
- Attractive design - 936 mm wide with all-round frame and SilentMove
- Ultimate in flexibility - cook anywhere with up to 6 pots
- Comm. with the rangehood - automatic function Con@ctivity 3.0
- Rapid heat-up times - TwinBooster

<b>Heating type</b>	
Heating type	Induction
<b>Construction type</b>	
Independent of oven	•
<b>Design</b>	
Elegant glass ceramic surface	•
Ceramic surface colour	Graphite Black
Print design	SilentMove
Frameless design	•
<b>Zone details</b>	
Full surface cooking area	Full-Surface
<b>Cooking area</b>	
Can be selected freely	Full-Surface, up to 6 pots
Diameter in mm	864x382
Power rating in W	2600
Booster in W	3000
TwinBooster in W	3700
<b>User convenience</b>	
Operation via touchpad controls	SmartSelect White
Digital power level display	•
Pan/Pan-size sensors	•
Stop & Go function	•
Minute minder	•
Automatic switch-off for all zones	•
AutoBoost	•
Keeping warm	•
<b>Appliance networking</b>	
Automatic function Con@ctivity 3.0	Pre-equipped
<b>Cleaning convenience</b>	
Easy to clean ceramic surface	•

## KM 7897 FL

Induction cooktop

Onset controls with full surface technology for the ultimate in flexibility.



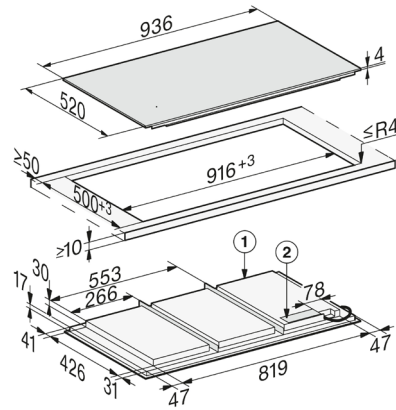
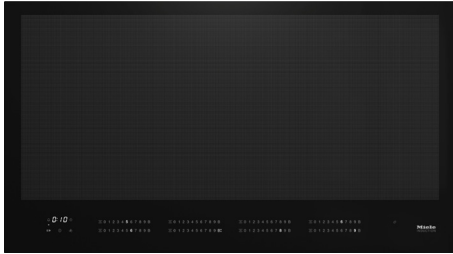
<b>Safety</b>	
Safety cut-out	•
Lock function	•
System lock	•
Fault monitoring	•
Integrated cooling fan	•
Overheating protection	•
Residual heat indicator	•
<b>Technical data</b>	
Dimensions in mm (width)	936
Dimensions in mm (depth)	520
Built-in height with mains connection box in mm	51
Cutout dimensions in mm (width)*	916
Cutout dimensions in mm (depth)*	500
Total connected load in kW	11.04
Weight in kg	16
Voltage in V	230
Frequency in Hz	50-60
Cable length in m	1.4
<b>Standard accessories</b>	
Connection cable	•

\* Please refer to installation drawings for flush cutout dimensions

## KM 7897 FL

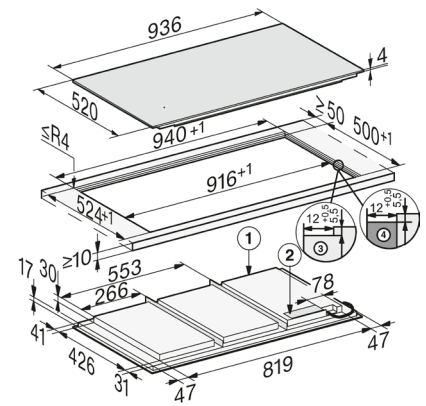
Induction cooktop

Onset controls with full surface technology for the ultimate in flexibility.



KM 7897 FL PowerFlex - (Installation drawing)

1. Front
2. Mains connection box, mains connection cable,  
L = 1440 mm, supplied loose



KM 7897 FL - (flush installation drawings)

1. Front
2. Mains connection box with mains connection cable,  
L = 1440 mm
3. Stepped cut-out natural stone worktop
4. Wood support 12 mm (not supplied)