

# KT110PA

|                    |                      |
|--------------------|----------------------|
| Product family     | Hood                 |
| Hood Type          | Decorative wall hood |
| Design             | Chimney              |
| Extraction         | Extraction           |
| Electronic control | Yes                  |
| Material           | Painted material     |
| Type of steel      | Brushed              |
| EAN code           | 8017709217136        |
| Hood width         | 110 cm               |




## Aesthetics

|                  |                |                |                |
|------------------|----------------|----------------|----------------|
| Aesthetic Colour | Victoria Cream | Finishing Logo | Glossy Applied |
|------------------|----------------|----------------|----------------|

## Controls

|                 |                    |           |       |
|-----------------|--------------------|-----------|-------|
| Control setting | Electronic buttons | Led color | White |
|-----------------|--------------------|-----------|-------|

## Programs / Functions

|                      |   |
|----------------------|---|
| No. of speeds        | 3   |
| Intensive speed      |  |
| Time-setting options |  |

## Technical Features

|  |   |                                    |           |
|--|---|------------------------------------|-----------|
|  |  |                                    |           |
| No. of lights  | 2   | No. of filters                     | 4         |
| Light type   | LED   | Anti-grease filters                | Aluminium |
| Light Power  | 2 W   | Vent outlet                        | 150 mm    |
| Light color temperature scale (°K)   | 3000 °K   | Minimum distance from GAS hob      | 750 mm    |
| Free outlet maximum capacity   | 820 m <sup>3</sup> /h   | Minimum distance from ELECTRIC hob | 650 mm    |
| Motor power  | 275 W   | Non return valve                   | Yes       |

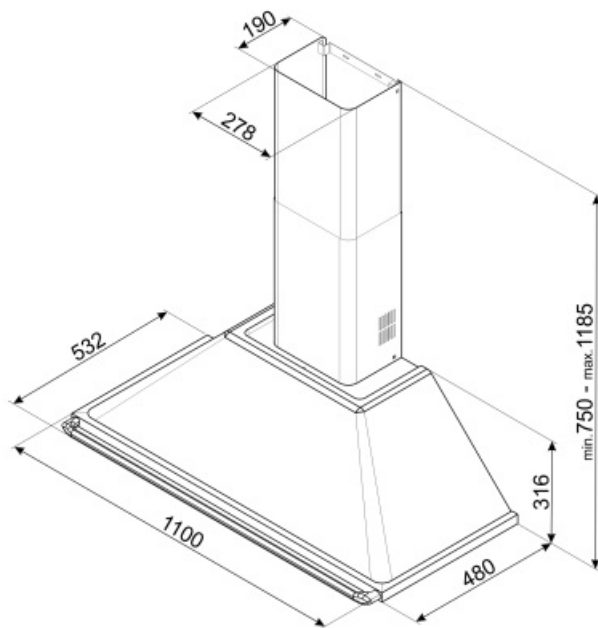
|                 | Extraction rate IEC 61591 [m <sup>3</sup> /h] | Noise level IEC 60704-2-13 [dB(A)] |
|-----------------|---|------------------------------------|
| Speed 1         | 334   | 50                                 |
| Speed 2         | 439   | 57                                 |
| Speed 3         | 567   | 63                                 |
| Intensive speed | 788   | 70                                 |

## Electrical Connection

|                              |           |                           |          |
|------------------------------|-----------|---------------------------|----------|
| Electrical connection rating | 279 W     | Frequency (Hz)            | 50-60 Hz |
| Voltage                      | 220-240 V | Power supply cable length | 1000 mm  |

## Also available

|                               |       |                   |          |
|-------------------------------|-------|-------------------|----------|
| Alternative colours available | Black | Available colours | KT110BLA |
|-------------------------------|-------|-------------------|----------|



## Not included accessories

---



### FLT6

Round Charcoal filters (kit 2 pieces)



### KITALLFC

Universal Charcoal filter Stainless Steel AISI 304 The filter can be washed in dishwasher 50 °C (water and suitable detergent) and to dry it put in the oven 180°C 25 minutes

## Symbols glossary (TT)

---



**Filters:** Model has filters to help remove grease from the steam emanating from the pans during cooking.



**Lights:** All cooker hoods feature lights to illuminate the cooking area or add to the ambience of the kitchen.



**Switch off automatically:** A special setting, to run after the end of cooking for a pre-set time and then switch off automatically.



**Intensive/turbo setting:** when extra fast extraction is required.