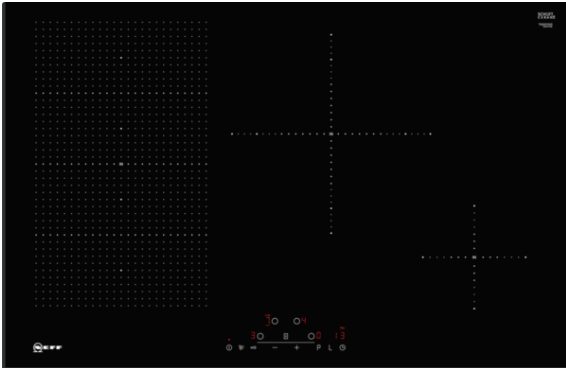


N 70, Induction cooktop, 80 cm,
T58UD10X0



COOKING PASSION SINCE 1877



Standalone FlexInduction cooktop with TouchControl.

- ✓ Induction - With induction cooking, the heat is generated directly in the cookware for precise cooking that stops when power is off.
- ✓ FlexInduction - The FlexZone lets you place your pots and pans anywhere you want and heats them exactly where they stand.
- ✓ TouchControl is a highly convenient way to control cooktops. One touch is enough. A timer is also included.

Features

Technical Data

Product name/family : Cooking zone ceramic
Construction type : Built-in
Energy input : Electric
Total number of positions that can be used at the same time : 4
Required niche size for installation (HxWxD) : 51 x 750-750 x 490-500
Width of the product (mm) : 802
Dimensions of the product (mm) : 51 x 802 x 522
Dimensions of the packed product (HxWxD) (mm) : 126 x 953 x 603
Net weight (kg) : 15.883
Gross weight (kg) : 17.4
Residual heat indicator : Separate
Location of control panel : Hob front
Basic surface material : Ceramic
Color of surface : Black
Approval certificates : AENOR, CE
Length electrical supply cord (cm) : 110
EAN code : 4242004189350
Electrical connection rating (W) : 7400
Voltage (V) : 220-240
Frequency (Hz) : 50; 60

Optional accessories

Z9410X1	Stainless Steel roaster with glas lid
Z9415X1	Steaming Rack for Stainless Steel roaste
Z9416X2	Griddle Plate
Z9417X2	Teppan Yaki (large)
Z9442X0	Set of 3 pots and 1 pan



N 70, Induction cooktop, 80 cm, T58UD10X0

Features

Handling

- Electronic touch control

Flexibility

- Flex zone
- 4 induction zones
- Cooking zone front left: FlexZone
 - 240 mm, 200 mm
 - 2.2 KW
- Cooking zone rear left: FlexZone
 - 200mm (high), 240mm x
 - 2.2 KW
- Standard cooking zone
 - 145 mm
 - 1.4 KW
- Cooking zone rear right: Standard cooking zone
 - 280 mm
 - 2.6 KW
- Automatic pan recognition sensor
 - Power management function
 - Automatic safety switch-off
 - Child safety lock
 - Wipe protection function

Comfort & Convenience

- PotBoost function for all cooking zones
- 17 power levels for each cooking zone
- Residual heat indicator: Digital 2-step
- Cooking zones: 1 x Ø 400 mmx240 mm, 3.3 KW (max. Power level 3.7 KW) Induction or 2 x Ø 200 mm, 2.2 KW (max. Power level 3.7 KW) Induction; 1 x Ø 280 mm, 2.6 KW (max. Power level 3.7 KW) Induction; 1 x Ø 145 mm, 1.4 KW (max. Power level 2.2 KW) Induction
- LED display and timer with auto switch off for all cooking zones
- Energy consumption display

Design

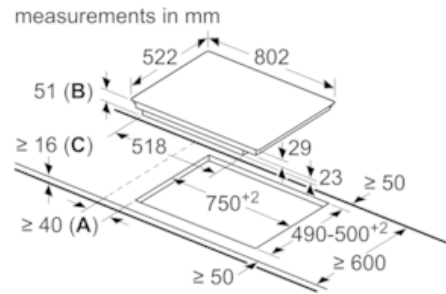
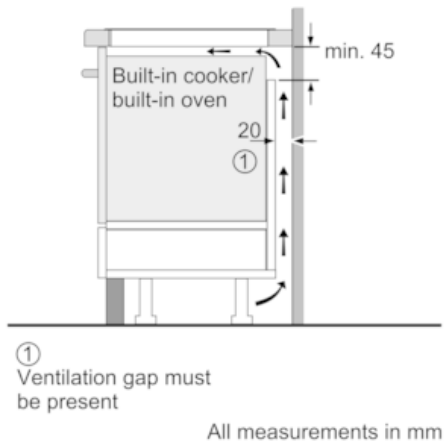
- Frameless with front faceted glass

Technical Information

- 80 cm width
- Installation measurements: 750 mm x 490 mm
- Length wire connection: 110 cm
- Min. worktop thickness: 30 mm
- 7.4 kW total connected load
- Cable included

N 70, Induction cooktop, 80 cm,
T58UD10X0

Dimensioned drawings



- A: Minimum distance from the hob cut-out to the wall.
- B: Recessed depth
- C: With fitted oven underneath min. 30, possibly more; see space requirements for the oven.

