

N 70, Built-in oven with added steam function, Stainless steel
B57VR22NOB



- ✓ Built-in oven with VarioSteam® and SLIDE&HIDE® - fuller flavour and unrestricted access to the oven interior.
- ✓ Slide&Hide® - the door disappears underneath the oven for unrestricted access and the handle rotates for easy handling
- ✓ CircoTherm® - our smart hot-air solution for simultaneous baking and roasting on up to four levels
- ✓ Vario Steam - steam assistance that cooks food moist on the inside and crisp on the outside
- ✓ The duo for perfect cleaning: Pyrolysis after heavy use - the oven interior cleans itself. EasyClean® - the environment-saving option for fast oven cleaning.
- ✓ ShiftControl - fast navigation through menus and simple operation with the TFT display.



Features

Technical Data
 Color / Material Front : Stainless steel
 Built-in / Free-standing : Built-in
 Integrated Cleaning system : Hydrolytic, Pyrolytic
 Required niche size for installation (HxWxD) : 585-595 x 560-568 x 550
 Dimensions of the product (mm) : 595 x 596 x 548
 Dimensions of the packed product (HxWxD) (mm) : 675 x 690 x 660
 Control Panel Material : Stainless steel
 Door Material : Glass
 Net weight (kg) : 43.272
 Usable volume of cavity (l) : 71
 Cooking method : Bottom heat, Bread Baking Setting, Conventional heat, Full width grill, Half width grill, Hot Air-Eco, Hot air grilling, low temperature cooking, Pizza setting, warming
 Oven control : electronic
 Number of interior lights : 1
 Approval certificates : CE, VDE
 Length electrical supply cord (cm) : 120
 EAN code : 4242004181965
 Number of cavities (2010/30/EC) : 1
 Energy efficiency class (2010/30/EC) : A+
 Energy consumption per cycle conventional (2010/30/EC) : 0.87
 Energy consumption per cycle forced air convection (2010/30/EC) : 0.69
 Energy efficiency index (2010/30/EC) : 81.2
 Connection Rating (W) : 3450
 Current (A) : 16
 Voltage (V) : 220-240
 Frequency (Hz) : 60; 50
 Plug type : no plug

Optional accessories

Z11SZ00X0	SeamlessCombination mounting kit
Z11SZ80X0	SeamlessCombination 60 + 29cm
Z11SZ90X0	SeamlessCombination 60 + 45cm
Z11TC10X0	ComfortFlex Rail (1 level)
Z11TC16X0	ComfortFlex Rail (1 level)
Z12CB10A0	Baking tray, anthracite enamelled
Z12CM10A0	Moussaka pan, anthracite enamelled
Z12CU10A0	Multipurpose pan, anthracite enamelled
Z12TF36X0	3 level telescopic rails, full ext,pyro
Z1913X0	Baking Stone



*N 70, Built-in oven with added steam function,
Stainless steel
B57VR22NOB*

Features

Heating Functions

- Additional heating methods with steam: Reheating, Dough Proving
- Cavity volume: 71 net usable litres

Design

- Anthracite enamel cavity with 4 shelf positions

Cleaning

- Pyrolytic self cleaning
- EasyClean® Cleaning aid programm

Convenience

- 2.5" colour and text Display with ShiftControl
- Additional functions: Descaling program Steam cooking function (system steamer accessory required) drying function
- Slide&Hide® door, SoftOpen
- Automatic programs
- Number of automatic programmes: 14 PC
- Electronic clock with start / stop function
- Rapid heating-up: automatic
- LED lighting
- Large 1 litre water tank
- Water tank empty indicator
- Location of the steam generator is outside of the cavity
- Cooling fan
- Stainless-steel fan

Hook-in racks / rails

Accessories

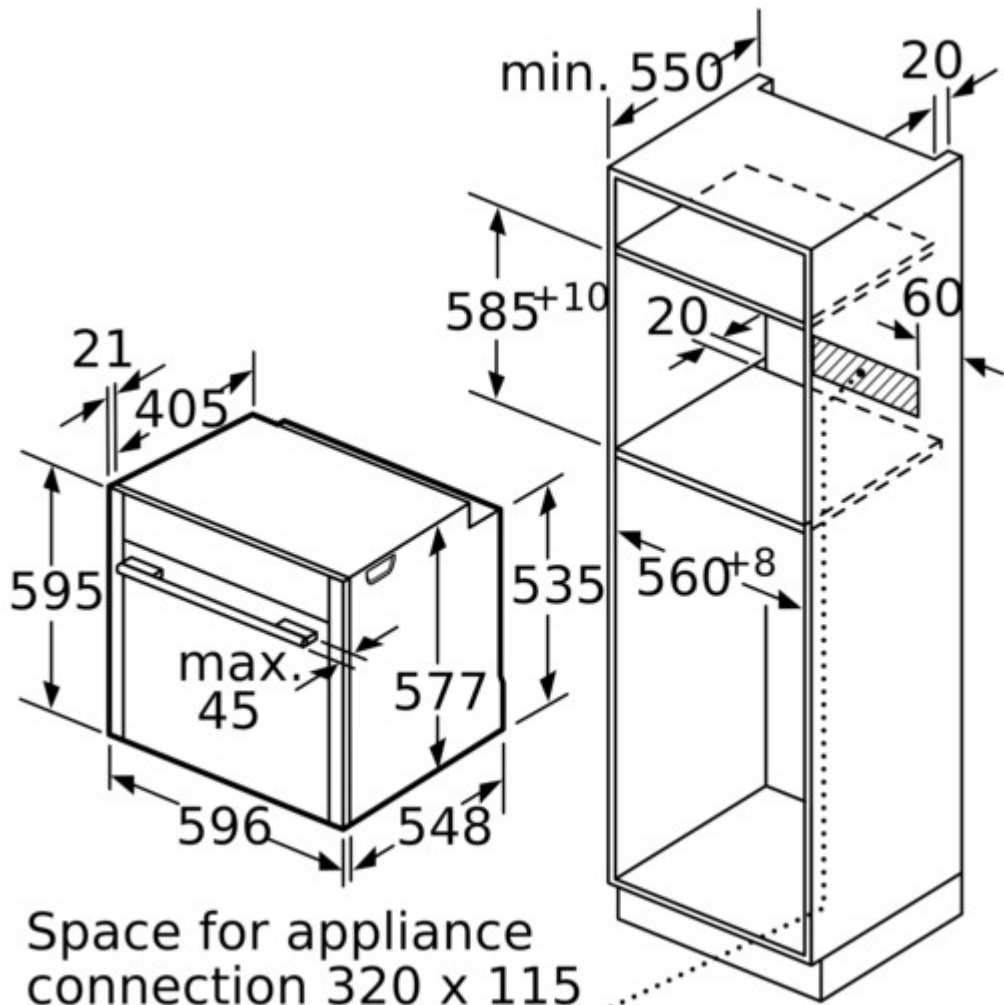
- 1 x universal pan, 2 x combination grid

Safety and Environment

- Individual adjustable child lock Safety switch off Residual heat indicator Start button Door contact switch

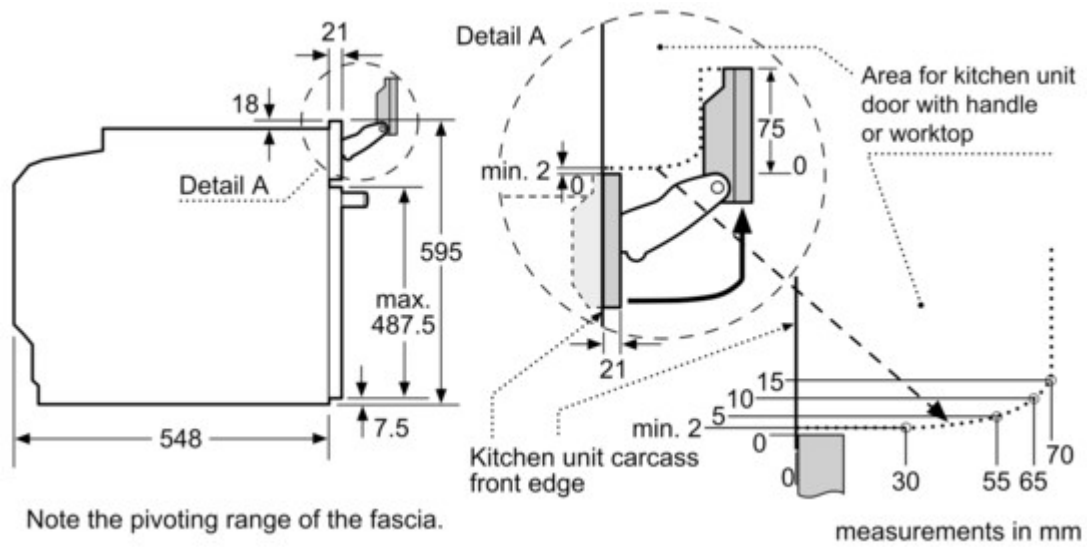
Technical Info

- Length of mains cable: 120 cm
- Total connected load electric: 3.45 KW
- Appliance dimensions (HxWxD): 595 mm x 596 mm x 548 mm
- Installation dimensions (HxWxD): 585 mm - 595 mm x 560 mm - 568 mm x 550 mm
- Please reference the built-in dimensions provided in the installation drawing



Space for appliance connection 320 x 115

measurements in m



If the appliance will be installed underneath a hob, the following worktop thicknesses (including substructure if necessary) must be taken into account.

Hob type	min. worktop thickness	
	fitted	flush
Induction hob	37 mm	38 mm
Full surface Induction hob	47 mm	48 mm
Gas hob	30 mm	38 mm
Electric hob	27 mm	30 mm

