

FSP9610X 90CM FREESTANDING PYROLYTIC OVEN



EAN 8017709245658

Dimensions	900mmW x 600mmD x 900mmH
Finish	Stainless steel
Installation	Freestanding
Display	5 button LED programmer

Main oven	
Capacity	126L
Total functions	10
Door glass	Quadruple glazed door
Cooking levels	5
Thermostat	50-280°C
Programmability	Fully programmable
Cleaning	Pyrolytic
Lighting	2 x 40W halogen
Safety	Thermal protection
Supplied accessories	1 x Chrome wire shelf 1 x Chrome grill insert 1 x 20mm enamelled baking tray 1 x 40mm enamelled baking tray
Optional accessories	GT1P-2 - Partial telescopic guides GT1T-2 - Total telescopic guides
Power	220-240V, 50/60Hz 4200W 19A
Warranty	Two years parts and labour

THERMOSEAL

The seal of Smeg's quality, technical excellence and taste: succulent roasts, crisp pastry and impressive baking is achieved in Smeg's unique, perfectly controlled cooking environment. Thermoseal maintains the perfect atmospheric balance in the cavity for optimum cooking conditions.

PYROLYTIC CLEANING

Smeg's pyrolytic cycle locks the door and heats the oven to around 500°C. This process carbonises any food residue or burnt-on grease to a small amount of ash, which can be simply wiped away with a damp cloth. Smeg also has Eco Pyro - the low energy option.

EVER CLEAN ENAMEL

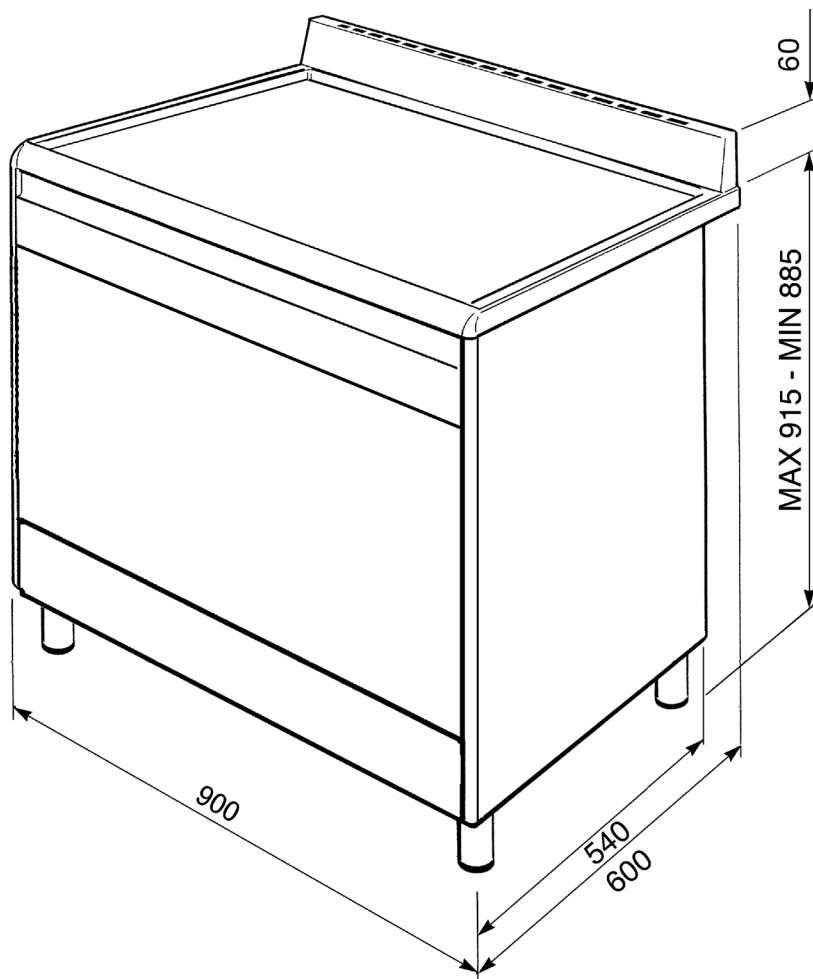
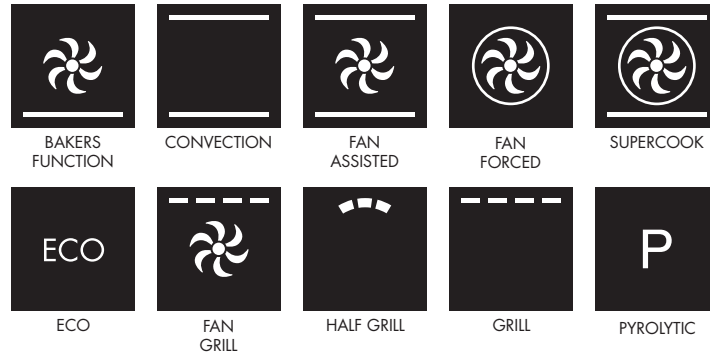
The superior quality of Smeg's patented Ever Clean enamel, which is highly durable and easy to clean, is the result of nearly 70 years of enameling expertise; ensuring long-life performance of every Smeg oven.

Gas hob	
Capacity	6 burners Front left (wok) 13 mj/hr Rear left 7.0 mj/hr Front centre 12 mj/hr Rear centre 4.0 mj/hr Front right 4.0mj/hr Rear right 7.0mj/hr
Gas input	Set for natural gas, regulator supplied, adapt for ULPG, no regulator required
Safety	Flame failure device fitted to each burner
Supplied accessories	1 x Wok stand

FREESTANDING COOKERS

FSP9610X
90CM FREESTANDING PYROLYTIC OVEN

Functions



NB: Height with plinth installed is fixed at 900mm

PLEASE NOTE: drawings are not to scale. They are to assist only.

WARNING: technical specifications and product sizes can be varied by the manufacturer without notice.

Cutouts for appliances should only be by physical product measurements. The above information is indicative only.

ID171122