

FREESTANDING COOKERS

CSP9GMXA 90CM FREESTANDING PYROLYTIC OVEN



EAN 8017709245641

Dimensions	900mmW x 600mmD x 872 - 912mmH (Height excludes 63mm splashback)
Finish	Stainless steel
Installation	Freestanding
Display	Touch
Main oven	
Capacity	126L
Total functions	11
Door glass	Quadruple glazed door
Cooking levels	5
Thermostat	50-280°C
Programmability	Fully programmable
Cleaning	Pyrolytic
Lighting	2 x 40W halogen
Safety	Thermal protection
Supplied accessories	2 x Chrome wire shelf 1 x 20mm enamelled baking tray 1 x 40mm enamelled baking tray 1 x GT1P-1 - Partial telescopic guides
Optional accessories	GT1P-2 - Partial telescopic guides GT1T-2 - Total telescopic guides
Power	220-240V, 50/60Hz 4200W 19A
Warranty	Two years parts and labour



THERMOSEAL

The seal of Smeg's quality, technical excellence and taste: succulent roasts, crisp pastry and impressive baking is achieved in Smeg's unique, perfectly controlled cooking environment. Thermoseal maintains the perfect atmospheric balance in the cavity for optimum cooking conditions.



PYROLYTIC CLEANING

Smeg's pyrolytic cycle locks the door and heats the oven to around 500°C. This process carbonises any food residue or burnt-on grease to a small amount of ash, which can be simply wiped away with a damp cloth. Smeg also has Eco Pyro - the low energy option.



EVER CLEAN ENAMEL

The superior quality of Smeg's patented Ever Clean enamel, which is highly durable and easy to clean, is the result of nearly 70 years of enameling expertise; ensuring long-life performance of every Smeg oven.

Gas hob

Capacity

6 burners
Front left (wok) 15.2 mj/hr
Rear left 3.9 mj/hr
Front centre 3.9 mj/hr
Rear centre 7.5 mj/hr
Front right 7.5 mj/hr
Rear right 12 mj/hr

Gas input

Set for natural gas, regulator supplied, adapt for ULPG, no regulator required

Safety

Flame failure device fitted to each burner

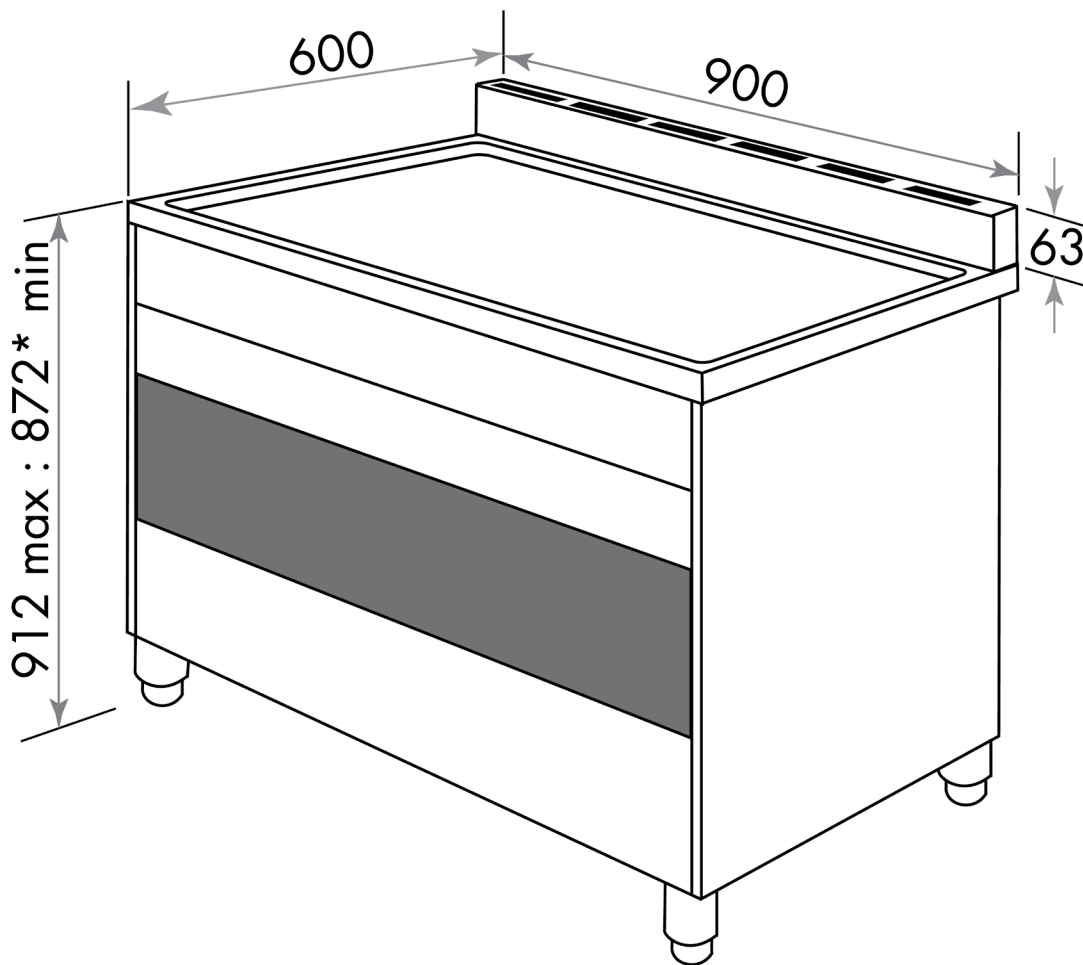
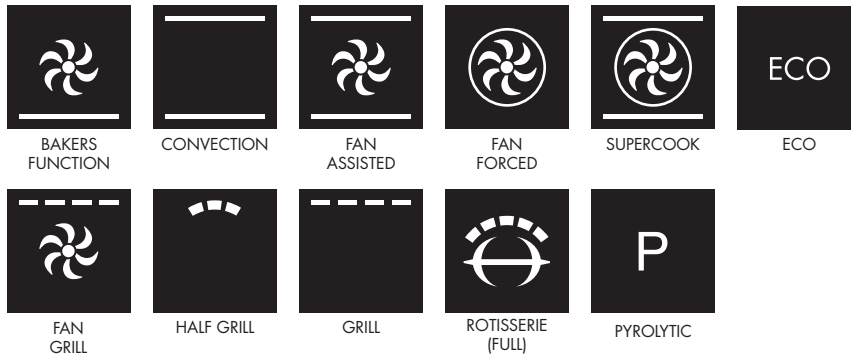
Supplied accessories

1 x Coffee pot stand
1 x Cast iron wok support

FREESTANDING COOKERS

CSP9GMXA
90CM FREESTANDING PYROLYTIC OVEN

Functions



PLEASE NOTE: drawings are not to scale. They are to assist only.
 WARNING: technical specifications and product sizes can be varied by the manufacturer without notice.
 Cutouts for appliances should only be by physical product measurements. The above information is indicative only.

ID180612