

iQ700, Oven, Black HB875GDB1A



**reddot design award
winner 2018**

Shorten your cooking time thanks to fast preheat and activeClean®.

- ✓ fast preheat: reach the required baking temperature sooner.
- ✓ activeClean: the automatic system for effortless cleaning.
- ✓ TFT Display: good readability from any perspective.
- ✓ roastingSensor Plus: simply reliable roasting.
- ✓ 4D hotAir: flexible choice of shelf.

Features

Technical Data

Color / Material Front : Black
 Built-in / Free-standing : Built-in
 Integrated Cleaning system : Pyrolytic
 Required niche size for installation (HxWxD) : 585-595 x 560-568 x 550
 Dimensions of the product (mm) : 595 x 594 x 548
 Dimensions of the packed product (HxWxD) (mm) : 670 x 680 x 670
 Control Panel Material : Glass
 Door Material : Glass
 Net weight (kg) : 38.272
 Usable volume of cavity (l) : 71
 Cooking method : , 4D hot air, Bottom heat, Conventional heat, Deep-frozen food special, Full width grill, Half width grill, Hot Air-Eco, Hot air grilling, low temperature cooking, Pizza setting, pre-heating, warming
 First cavity material : Enamelled
 Temperature control : electronic
 Number of interior lights : 1
 Approval certificates : CE, VDE
 Length electrical supply cord (cm) : 120
 EAN code : 4242003830888
 Number of cavities (2010/30/EC) : 1
 Energy efficiency class (2010/30/EC) : A+
 Energy consumption per cycle conventional (2010/30/EC) : 0.87
 Energy consumption per cycle forced air convection (2010/30/EC) : 0.69
 Energy efficiency index (2010/30/EC) : 81.2
 Connection Rating (W) : 3600
 Current (A) : 16
 Voltage (V) : 220-240
 Frequency (Hz) : 50; 60
 Plug type : no plug

Included accessories

- 1 x grill tray
suit. pyrol. clean.
- 2 x combination grid
- 1 x universal pan

Optional accessories

- HZ636000 Glass pan
- HZ633070 Professional pan, anthracite enamelled
- HZ633001 Lid for professional pan, enamelled anth
- HZ632070 Multipurpose pan, anthracite enamelled
- HZ631070 Baking tray, anthracite enamelled
- HZ625071 Grill tray, anthracite enamelled
- HZ617000 Pizza pan, anthracite enamelled
- HZ327000 Baking stone



4 242003 830888

iQ700, Oven, Black HB875GDB1A

Features

Heating Functions

- Oven with 13 heating methods:
- 4D HotAir
- 4D HotAir Eco
- Top/ bottom heating
- Top/bottom heating Eco
- Hot air grilling
- Full width grill
- Half width grill
- Pizza setting
- coolStart (deep-frozen food special)
- Bottom heating
- Low temperature cooking
- Plate warming setting
- Keep Warm
- Temperature range 30 °C - 300 °C
- Cavity volume: 71 net usable litres

Design

- black Steel Design
- Rotary Control
- Anthracite enamel cavity with 5 shelf levels

Cleaning

- activeClean® – automatic self-cleaning function with automatic safety door lock
- Pyrolytic proof trayholder and baking tray
- Full glass inner door

Convenience

- 2,8"-TFT-color and text display with touch-control buttons
- Temperature proposal
- Actual temperature display
- Actual temperature display
- Sabbath setting
- softMove: gentle opening and closing of the oven door.
- Number of automatic programmes: 10 PC
- roastingSensor with three measuring points
- Electronic clock and timer
- Rapid heating-up
- Halogen lighting
- Integrated cooling fan
- Stainless-steel fan
- Info button
- Bar handle

Hook-in racks / rails

- Cavity with shelf support rails, telescopic rails available as optional accessory

Accessories

- 1 x grill tray, suit. pyrol. clean., 2 x combination grid, 1 x universal pan

Safety and Environment

- Maximum door temperature 30° C
- Child lock for settings
- Automatic safety switch-off function
- Residual heat indicator
- start button

- Door contact switch

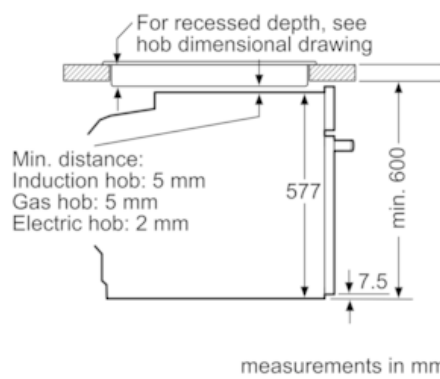
Technical Info

- Length of mains cable: 120 cm
- Total connected load electric: 3.6 KW
- Appliance dimensions (HxWxD): 595 mm x 594 mm x 548 mm
- Installation dimensions (HxWxD): 585 mm - 595 mm x 560 mm - 568 mm x 550 mm
- Please reference the built-in dimensions provided in the installation drawing

iQ700, Oven, Black HB875GDB1A

Dimensioned drawings

Installation with a hob.



If the appliance will be installed underneath a hob, the following worktop thicknesses (including substructure if necessary) must be taken into account.

Hob type	min. worktop thickness	
	fitted	flush
Induction hob	37 mm	38 mm
Full surface Induction hob	47 mm	48 mm
Gas hob	30 mm	38 mm
Electric hob	27 mm	30 mm

