

## iQ700, Compact combination steam oven, Black CS858GRB7B



Shorten your cooking time thanks to fast preheat.

- ✓ fast preheat: reach the required baking temperature sooner.
- ✓ ecoClean Plus: effortless cleaning thanks to a special coating.
- ✓ The steam function: Easily prepare healthy and tasty meals and create outstanding flavour experiences with Sous-vide cooking.
- ✓ TFT Touchdisplay Plus: optimum readability and intuitive operation.

### Features

#### Technical Data

Color / Material Front : Black  
 Built-in / Free-standing : Built-in  
 Door opening : Drop down  
 Required niche size for installation (HxWxD) : 450-455 x 560-568 x 550  
 Dimensions of the product (mm) : 455 x 594 x 548  
 Dimensions of the packed product (HxWxD) (mm) : 530 x 660 x 690  
 Control Panel Material : Glass  
 Door Material : Glass  
 Net weight (kg) : 35.640  
 Approval certificates : CE, VDE  
 Length electrical supply cord (cm) : 150  
 EAN code : 4242003839553  
 Current (A) : 16  
 Voltage (V) : 220-240  
 Frequency (Hz) : 50; 60  
 Plug type : no plug  
 Approval certificates : CE, VDE  
 Number of cavities (2010/30/EC) : 1  
 Usable volume (of cavity) - NEW (2010/30/EC) : 47  
 Energy efficiency class (2010/30/EC) : A+  
 Energy consumption per cycle conventional (2010/30/EC) : 0.73  
 Energy consumption per cycle forced air convection (2010/30/EC) : 0.61  
 Energy efficiency index (2010/30/EC) : 81.3

### Included accessories

1 x steam container, punched, size S, 1 x steam container, punched, size XL, 1 x steam container, unpunched, size S, 1 x grid, 1 x sponge, 1 x universal pan

### Optional accessories

HZ636000	Glass pan
HZ632070	Multipurpose pan, anthracite enamelled
HZ631070	Baking tray, anthracite enamelled
HZ625071	Grill tray, anthracite enamelled
HZ617000	Pizza pan, anthracite enamelled
HZ36D533P	porcelain tray-GN2/3- unpunched
HZ327000	Baking stone



4 242003 839553

## iQ700, Compact combination steam oven, Black CS858GRB7B

### Features

#### Heating Functions

- Compact steam oven with 15 heating methods:
- 4D HotAir
- Drying
- Keep Warm
- Plate warming setting
- Hot air grilling
- Full width grill
- 4D HotAir Eco
- Intensive heat
- Half width grill
- Top/ bottom heating
- Top/bottom heating Eco
- Pizza setting
- Low temperature cooking
- coolStart (deep-frozen food special)
- Bottom heating
- Additional heating methods with steam: Pure steaming, Reheating, Dough Proving, Defrost, Sous-vide cooking
- Temperature range 30 °C - 250 °C
- Cavity volume: 47 net usable litres

#### Design

- Black Steel Design
- Rotary Control
- Anthracite enamel cavity with 3 shelf levels

#### Cleaning

- ecoClean® self-cleaning function (rear, sides and ceiling)
- Full glass inner door

#### Convenience

- 5.7" TFT touchDisplay Plus
- Temperature proposal
- Actual temperature display
- Actual temperature display
- Sabbath setting
- Additional functions:
- Descaling program
- Drying function
- softMove: gentle opening and closing of the oven door.
- Meals (automatic programs)
- roastingSensor with three measuring points
- bakingSensor
- Electronic clock and timer
- Rapid heating-up
- LED lighting
- Large 1 litre water tank
- Water tank empty indicator
- Location of the steam generator is outside of the cavity
- Integrated cooling fan
- Stainless-steel fan
- Info button
- Bar handle

#### Hook-in racks / rails

- Cavity with shelf support rails, 1 level telescopic shelf, full extension, with safety stop function

#### Accessories

- 1 x steam container, punched, size S, 1 x steam container, punched, size XL, 1 x steam container, unpunched, size S, 1 x grid, 1 x sponge, 1 x universal pan

#### Safety and Environment

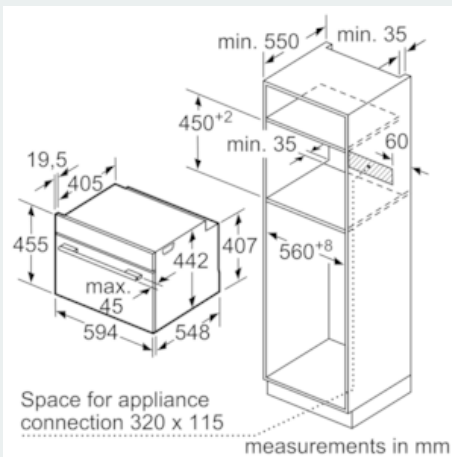
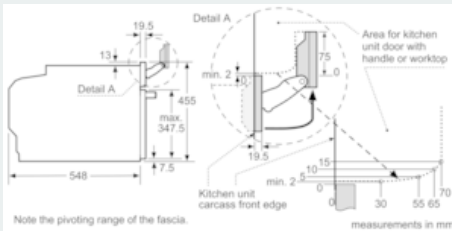
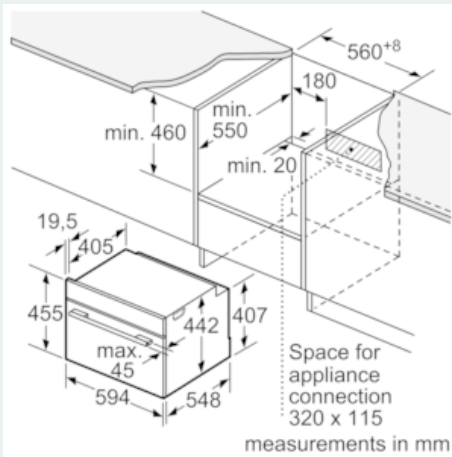
- Door temperature 40 degrees
- Child lock for settings
- Automatic safety switch-off function
- Residual heat indicator
- start button
- door contact switch

#### Technical Info

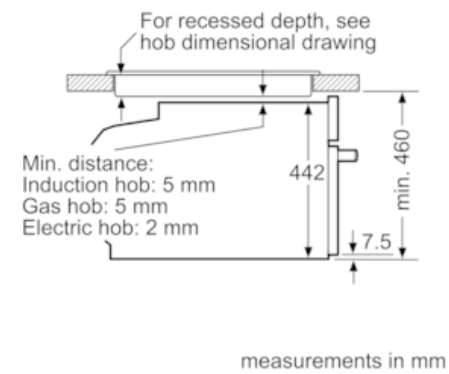
- Length of mains cable: 150 cm
- Total connected load electric: 3.3 KW
- Appliance dimensions (HxWxD): 455 mm x 594 mm x 548 mm
- Installation dimensions (HxWxD): 450 mm - 455 mm x 560 mm - 568 mm x 550 mm
- Please reference the built-in dimensions provided in the installation drawing

**iQ700, Compact combination steam oven, Black  
CS858GRB7B**

Dimensioned drawings



Installation with a hob.



If the compact appliance will be installed underneath a hob, the following worktop thicknesses (including substructure if necessary) must be taken into account.

Hob type	min. worktop thickness	
	fitted	flush
Induction hob	42 mm	43 mm
Full surface Induction hob	52 mm	53 mm
Gas hob	32 mm	43 mm
Electric hob	32 mm	35 mm