

## KSK792220M

### 45cm SteamPro Oven

#### Features

- An Integrated SousVide cooking system
  - SenseCook food sensor
  - IsoFront™ - A genuine cooler door
  - SoftMotion™ hinges
  - FloodLight™ system
  - Humidity Sensor
  - Anti-fingerprint stainless steel
  - Touch on glass controls
  - Accessories included
  - Pair with the AEG PrecisionVac™ SousVide Vacuum Sealer Drawer for an integrated SousVide and steam cooking system
- SousVide in just 4 steps
  - Prepare, seal, cook and serve dishes with the ultimate control and perfect results every time
  - Fully removable water drawer

#### Included accessories:

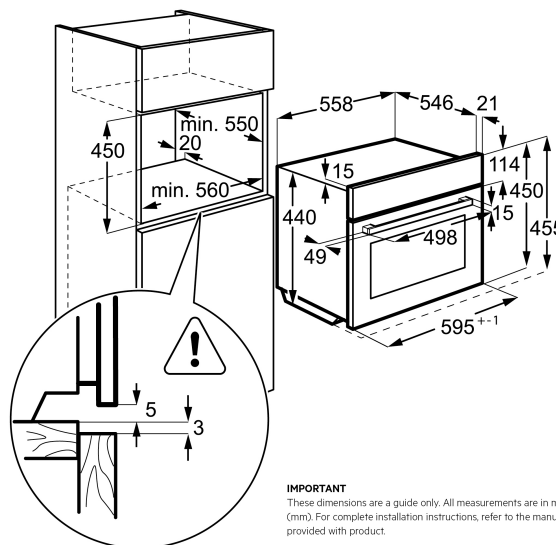


#### Product Dimension

Total height (mm) - 455, Total width (mm) - 594, Total depth (mm) - 567, CM Tech data - 60cm

#### Flush fit cut out

Flush fit cut out height (mm) - 460, Flush fit cut out width (mm) - 600, Flush fit cut out depth (mm) - 570



**IMPORTANT**  
These dimensions are a guide only. All measurements are in millimetres (mm). For complete installation instructions, refer to the manual provided with product.