

N 90, Compact combination microwave oven, Stainless steel
C27MS22H0B

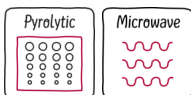


COOKING PASSION SINCE 1877



Compact built-in oven with integral microwave - even more ways to cook quickly and conveniently in a very small space.

- ✓ Compact oven with microwave - even more ways to cook quickly and conveniently.
- ✓ ShiftControl - fast navigation through menus and simple operation with the generous TFT display.
- ✓ The duo for perfect cleaning: Pyrolysis after heavy use - the oven interior cleans itself.
- ✓ EasyClean® - the environment-saving option for fast oven cleaning.
- ✓ Modern LED lighting for bright, even illumination.
- ✓ Hinged door with cushioned opening and closing.



Features

Technical Data

Type of micro-wave oven : MW-Combi
 Type of control : Electronic
 Color / Material Front : Stainless steel
 Dimensions of the product (mm) : 455 x 596 x 548
 Cavity dimensions (mm) : 237.0 x 480 x 392.0
 Length electrical supply cord (cm) : 150
 Net weight (kg) : 35.733
 Gross weight (kg) : 38.0
 EAN code : 4242004236528
 Maximum micro-wave power (W) : 900
 Connection Rating (W) : 3600
 Current (A) : 16
 Voltage (V) : 220-240
 Frequency (Hz) : 50; 60
 Plug type : no plug

Optional accessories

- Z11SZ00X0 SeamlessCombination mounting kit
- Z11SZ60X0 SeamlessCombination 45 + 14cm
- Z11SZ90X0 SeamlessCombination 60 + 45cm
- Z12CB10A0 Baking tray, anthracite enamelled
- Z12CM10A0 Moussaka pan, anthracite enamelled
- Z12CU10A0 Multipurpose pan, anthracite enamelled
- Z13CV06S0 Decor strip
- Z1913X0 Baking Stone



4 242004 236528

*N 90, Compact combination microwave oven,
Stainless steel
C27MS22H0B*

Features

Heating Functions

- Compact oven with microwave with 12 heating methods:
 - Hot Air
 - CircoTherm® Eco
 - Top/bottom heating
 - Top/bottom heating Eco
 - Circo-roasting
 - Full surface grill
 - Centre area grill
 - CircoTherm® Intensive
 - Bottom heating
 - Low temperature cooking
 - Dough proving
 - Plate warming
- Additional heating methods with microwave: Pure microwave, Combination microwave and conventional oven
- Temperature range 30 °C - 300 °C
- Max. Power: 900 W; 5 Microwave power settings (90 W, 180 W, 360 W, 600 W, 900 W) with Inverter (MW)
- Cavity volume: 45 net usable litres

Design

- Illuminated ShiftControl
- Anthracite enamel cavity with 3 shelf positions

Cleaning

- Pyrolytic self cleaning
- EasyClean® Cleaning aid programm
- Microwave top door

Convenience

- 4.1" TFT colour and graphics display with ShiftControl
- Temperature proposal
 - Optical temperature control
 - Actual temperature display
 - Sabbath setting
- Additional functions:
 - Steam cooking function (system steamer accessory required)
- Drop down door, SoftMove oven door with soft open and soft close, SoftOpen
- Bake and Roast assist, Automatic programs
- Number of automatic programmes: 14 PC
- Electronic clock
- Rapid heating-up
- LED lighting
- Cooling fan
- Stainless-steel fan
- Info button
- Bar handle

Hook-in racks / rails

- Cavity with shelf support rails, Telescopic slide-out Not available

Accessories

- 1 x combination grid, 1 x universal pan

Safety and Environment

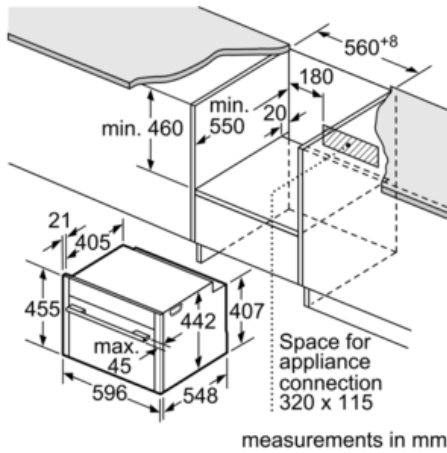
- Automatic door lock during pyrolysis
 - Individual adjustable child lock
 - Safety switch off
 - Residual heat indicator start button
 - door contact switch
- Quadruple glazed CoolTouch door

Technical Info

- Length of mains cable: 150 cm
- Total connected load electric: 3.6 KW
- Appliance dimensions (HxWxD): 455 mm x 596 mm x 548 mm
- Installation dimensions (HxWxD): 450 mm - 455 mm x 560 mm - 568 mm x 550 mm
- Please reference the built-in dimensions provided in the installation drawing

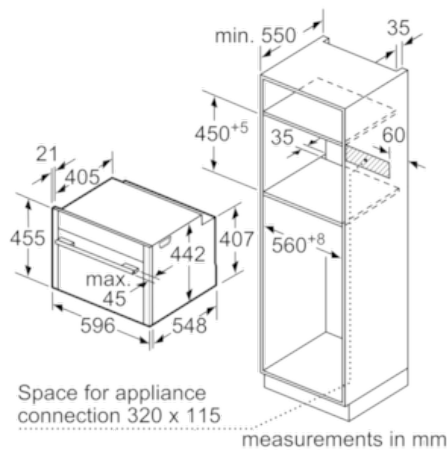
N 90, Compact combination microwave oven,
Stainless steel
C27MS22H0B

Dimensioned drawings



If the compact appliance will be installed underneath a hob, the following worktop thicknesses (including substructure if necessary) must be taken into account.

Hob type	min. worktop thickness	
	fitted	flush
Induction hob	42 mm	43 mm
Full surface Induction hob	52 mm	53 mm
Gas hob	32 mm	43 mm
Electric hob	32 mm	35 mm



Installation with a hob.

