

 **GEBERIT**

Geberit Pricelist 2017

Zone 1

Valid from January 2017

Forever and a day

Our values

Partnership

Our customers are the focus of everything we do

Reliability

Creating durable solutions that are guaranteed throughout their life cycle

■ GEBERIT

Sustainability

Water economy and water quality is part of our long term contribution to the environment and future generations

Innovation

Constantly setting new standards in sanitary technology

Table of Contents

TITLE	PAGE NO.
Terms and Conditions, Goods Return Policy	4
Geberit Limited Product Warranty	5
In-wall Cisterns and Plates	8
Under Counter Cisterns and Plates	10
Remote Cisterns and Buttons	12
Urinal and Bracket Systems	14
Taps and Traps	16
Inlet Valves	17
Outlet Valves for Exposed Cisterns	18

Spare Parts

TITLE	PAGE NO.
Spare Parts – Concealed Cisterns	23
Spare Parts – Buttons	32

Terms and Conditions

This document does not represent a binding offer. Supply is at the discretion of Geberit, to approved customer accounts only.

Valid from 1st January 2017. Prices may change at any time without notice. All prices are in AUD, F.I.S. (Free Into Store) and apply to supplies in NSW, ACT, QLD, VIC and SA only.

GOODS RETURN POLICY:

- Prior to goods being returned, approval must be sought from Geberit.
- Goods must be returned to Geberit in the original packaging, in "as new" condition, within 30 days of receipt of goods.
- Refer to "Conditions of Sale" for details.
- All goods that are returned to Geberit in "as new" condition will incur a 20% restocking fee.
- Collection of rejected good is the responsibility of the customer.
- The customer will be responsible for freight charges and insurance of transportation for returns.
- Geberit reserves the right to refuse the return of goods at any time.
- Damaged or incomplete goods will not be accepted.

SPARE PARTS

For spare parts, all prices are in AUD, F.C.A. (Freight Charges Apply) Macquarie Park, Sydney, NSW. A transport surcharge per consignment applies for all spare parts deliveries. GST, as indicated, is not included in the transport surcharge.

Please be advised that no transport charges apply to spare parts over a minimum order value of \$150 + GST.

TRANSPORT CHARGES	For deliveries to NSW, QLD, ACT, VIC, SA per consignment	\$16.25+GST	
	For deliveries to WA ,TAS, NT per consignment	Up to 5kg	\$19.80+GST
		5-20kg	\$34.60+GST
		More than 20kg	Sep. quote

Geberit Limited Product Warranty

General terms and conditions

Geberit products come with guarantees that cannot be excluded under the Australian Consumer Law. You are entitled to a replacement or refund for a major failure and for compensation for any other reasonable foreseeable loss or damage. You are also entitled to have the goods replaced if the goods fail to be of acceptable quality and the failure does not amount to be a major failure.

COVERAGE AND APPLICATION

This warranty covers faults in the product construction, material and assembly. Products which are within the warranty period stated below which are found, upon inspection by an authorised Geberit representative, to be defective in construction, material or assembly, will be repaired or exchanged with an equivalent product free of charge. Replaced items become Geberit's property.

For the purpose of this warranty "a Geberit product":

- was manufactured by or on behalf of Geberit; and
- is used in a normal domestic or commercial environment; and
- bears a trademark owned or used by Geberit and
- was supplied by Geberit Pty Ltd, to an authorised reseller or distributor of Geberit; and
- was purchased and supplied either in Australia or New Zealand

Geberit products supplied to manufacturers are expressly excluded and the content of this document is not applicable

WARRANTY PERIOD

For all Geberit products the warranty period is strictly from the date of sale as reflected on the authorised distributors invoice. The warranty period for each Geberit product, is outlined below.

Cisterns	<ul style="list-style-type: none"> • 15 years on Sigma8 (2016), Omega and Kappa concealed cistern tanks and frames • 10 years on Monolith installation frames and all other Geberit concealed cistern tanks • 3 years on inlet and outlet valve products • 3 years on mechanical flush/access plates
Accessories, Taps & Traps	<ul style="list-style-type: none"> • 2 years on HyTronic, HyTouch, HyBasic and pneumatic products • 2 years on HyTec UR partition walls • 2 years on Diseno washbasin trap
Piping Products	10 year system warranty for Geberit HDPE, Geberit Pluvia, Geberit Sovent and 2 years on processing tools.

All other Geberit parts and accessories (i.e. batteries) purchased together with the Geberit product are covered under this warranty for 6 months.

LABOUR

The labour for the replacement of products to which this warranty applies will be provided by Geberit or relevant supplier using licensed trades people engaged by Geberit or relevant supplier within the warranty period.

Geberit and its authorised service plumbers will endeavour to fix the Geberit product on site. The claimant must provide reasonable access to the Geberit product during normal working hours to enable the service work to occur.

WARRANTY CLAIMS

If you purchased Geberit products in Australia or New Zealand, the following process applies

1. Contact authorised reseller or distributor where you purchased the Geberit products; and/or
2. Contact support.au@geberit.com or +61 2 9889 7866; and/or
3. Visit www.geberit.com.au

WARRANTY EXCLUSIONS

This warranty is effective only if all of the following conditions apply:

- The item has been installed by a licensed plumber
- Failure is due to a fault in the construction, material or assembly of the product
- Proof of purchase (including the date of purchase) is provided
- The installation of the product is in accordance with the instructions provided

This warranty does not include faults caused by:

- Alterations to, or improper use of the product
- Incorrect installation or installation not in accordance with the instructions provided
- Installation or part installation by the purchaser or any person other than a licenced plumber
- Normal wear and tear
- Inadequate or complete lack of maintenance
- Chemical, electrochemical or electrical influences
- Harsh detergents or abrasive cleaners used on product finishes
- Excessive water pressure
- Incorrect operation or not following operating instructions
- Incorrect voltage or non-authorised electrical connections
- Use of non-authorised/non-standard parts
- Use of non-authorised calculation software
- Repair or other work carried out on Geberit products other than by an authorised service plumber

To the fullest extent permitted by law, Geberit excludes all liability for damage or injury to any person, damage to any property, and any indirect consequential or other loss or damage.

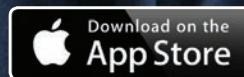


I'll show you how easy it is to install a Geberit concealed cistern

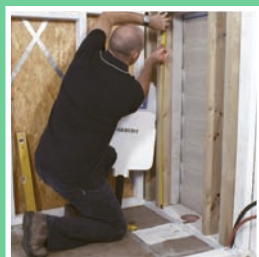
Adam Powell
Powell Plumbing

Adam Powell has been installing Geberit concealed cisterns for over 13 years. To help plumbers understand how easy and fast installation can be, he's developed a series of step by step videos that you can access free, **simply by downloading the Geberit App, for iPhone and Android.**

Available to download now at:



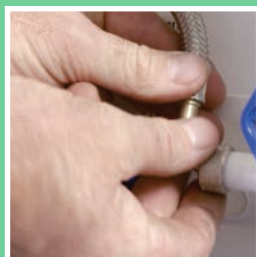
INSTALLING A GEBERIT CONCEALED CISTERN, STEP BY STEP



Set out



Fixing



Connection



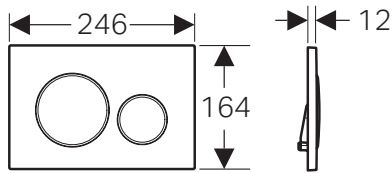
Flush water supply



Fit button

For further information contact your local Geberit sales team on 1800GEBERIT or at geberit.com.au

Sigma20 Dual Flush Button & Access Plate



Spare Parts

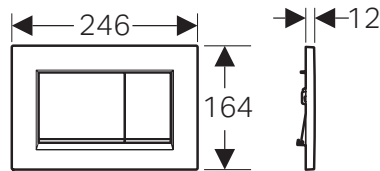
- Refer to page 37 for spare parts

Compatible Cisterns

- Sigma75, Sigma8 & Kappa with Sigma adapter

Article Number	Description	RRP Ex. GST	RRP Inc. GST
115.882.KH.1	Sigma20 Mechanical dual flush button/access plate chrome/satin/chrome	\$136.36	\$149.99
115.882.KJ.1	Sigma20 Mechanical dual flush button/access plate white/chrome/white	\$113.63	\$124.99
115.882.KK.1	Sigma20 Mechanical dual flush button/access plate white/gold/white	\$190.90	\$209.99
115.882.KL.1	Sigma20 Mechanical dual flush button/access plate white/satin/satin	\$136.36	\$149.99
115.882.KM.1	Sigma20 Mechanical dual flush button/access plate black/chrome/black	\$136.36	\$149.99
115.882.KN.1	Sigma20 Mechanical dual flush button/access plate satin/chrome/satin	\$136.36	\$149.99
115.882.SN.1	Sigma20 Mechanical dual flush button/access plate brushed/chrome/brushed, stainless steel	\$263.63	\$289.99
115.889.SN.1	Sigma20 Mechanical dual flush button/access plate s/s/chromes/s vandal resistant (metal)	\$263.63	\$289.99

Sigma30 Dual Flush Button & Access Plates



Spare Parts

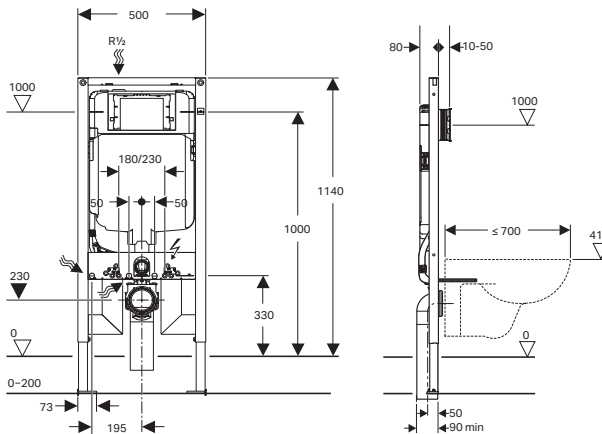
- Refer to page 37 for spare parts

Compatible Cisterns

- Sigma75, Sigma8 & Kappa with sigma adapter

Article Number	Description	RRP Ex. GST	RRP Inc. GST
115.883.KH.1	Sigma30 Mechanical dual flush button/access plate chrome/satin/chrome	\$113.61	\$124.98
115.883.KJ.1	Sigma30 Mechanical dual flush button/access plate white/chrome/white	\$99.99	\$109.98
115.883.KK.1	Sigma30 Mechanical dual flush button/access plate white/gold/white	\$113.61	\$124.98
115.883.KL.1	Sigma30 Mechanical dual flush button/access plate white/satin/satin	\$113.61	\$124.98
115.883.KM.1	Sigma30 Mechanical dual flush button/access plate black/chrome/black	\$99.99	\$109.98
115.883.KN.1	Sigma30 Mechanical dual flush button/access plate satin/chrome/satin	\$113.61	\$124.98

Duofix Sigma8 Concealed Cistern (80mm) – Wall Hung



Spare Parts

- Refer to page 27 for spare parts

Features

- Suits wall hung pans
- Operating pressure 10-1000kpa
- 400kg load rated frame
- Fits 90mm stud wall
- HDPE one piece tank

Compatible Flush Plates

- Sigma20, Sigma30, Sigma50, Sigma60 (2016)*

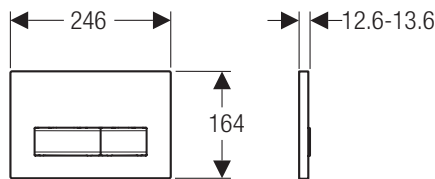
* Sigma60: Requires minimum 30mm wall thickness

Article Number	Description	RRP Ex. GST	RRP Inc. GST
111.697.00.1	Sigma8 Duofix concealed cistern front flush 3 star	\$636.34	\$699.98
111.698.00.1	Sigma8 Duofix frame concealed cistern front flush 4 star	\$636.34	\$699.98

Accessories

Article Number	Description	RRP Ex. GST	RRP Inc. GST
111.815.00.1	Duofix brick wall fastening set 135-200mm	\$41.43	\$45.57
152.426.46.1	Pan connection set white with pan collar and flush Pipe	\$47.00	\$51.70
170.317.00.1	Contact/sound insulation foam sheet for wall hung WC	\$26.17	\$28.79

Sigma50 Dual Flush Button & Access Plate



Spare Parts

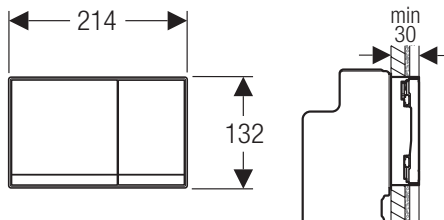
- Refer to page 37 for spare parts

Compatible Cisterns

- Sigma75, Sigma8, UP320 & Kappa with sigma adapter

Article Number	Description	RRP Ex. GST	RRP Inc. GST
115.788.11.5	Sigma50 Mechanical dual flush button/access plate white glass, brushed (metal)	\$292.57	\$321.83
115.788.DW.5	Sigma50 Mechanical dual flush button/access plate black glass, brushed (metal)	\$292.57	\$321.83
115.788.SD.5	Sigma50 Mechanical dual flush button/access plate smoked reflective glass, brushed (metal)	\$366.14	\$402.76
115.788.SE.5	Sigma50 Mechanical dual flush button/access plate green satinate glass, brushed (metal)	\$366.14	\$402.76
115.788.SQ.5	Sigma50 Mechanical dual flush button/access plate umbra glass, brushed (metal)	\$366.14	\$402.76
115.788.00.5	Sigma50 Mechanical dual flush button/access plate, custom finish (metal)	\$286.71	\$315.39

Sigma60 Dual Flush Button & Access Plate



Spare Parts

- Refer to page 35 for spare parts

Compatible Cisterns

- Sigma8

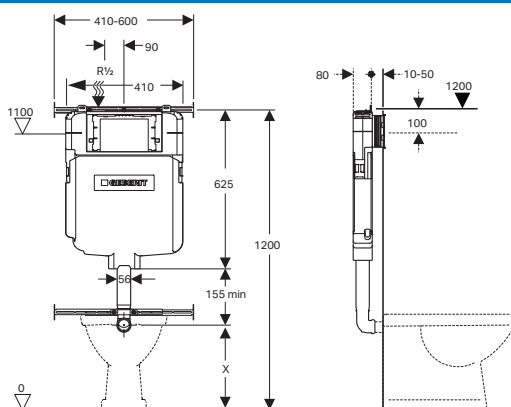
* Sigma60: Requires minimum 30mm wall thickness

Article Number	Description	RRP Ex. GST	RRP Inc. GST
115.640.GH.1	Sigma60 (2016) Mechanical dual flush button/access plate brushed chrome (metal)	\$386.36	\$424.99
115.640.SI.1	Sigma60 (2016) Mechanical dual flush button/access plate white (glass)	\$386.36	\$424.99
115.640.SJ.1	Sigma60 (2016) Mechanical dual flush button/access plate black (glass)	\$386.36	\$424.99
115.640.SQ.1	Sigma60 (2016) Mechanical dual flush button/access plate umbra (glass)	\$386.36	\$424.99

Accessories

Article Number	Description	RRP Ex. GST	RRP Inc. GST
115.641.GH.1	Sigma60 (2016) brushed chrome edge cover frame, metal (optional)	\$149.99	\$164.98
115.641.21.1	Sigma60 (2016) chrome edge cover frame, metal (optional)	\$113.61	\$124.98

Sigma8 Concealed Cistern – Back To Wall



Spare Parts

- Refer to page 26 for spare parts

Features

- Suits S or P trap BTW pans
- Operating pressure 10-1000kpa
- HDPE one piece tank

Compatible Flush Plates

- Sigma20, Sigma30, Sigma50, Sigma60, Remote for Sigma8 in-wall

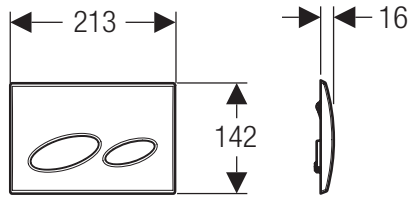
* Sigma60: Requires minimum 30mm wall thickness

Article Number	Description	RRP Ex. GST	RRP Inc. GST
109.794.00.1	Sigma8 Concealed cistern front flush 3 star	\$354.53	\$389.98
109.795.00.1	Sigma8 Concealed cistern front flush 4 star	\$354.53	\$389.98

Accessories

Article Number	Description	RRP Ex. GST	RRP Inc. GST
241.294.00.1	Flush bend for brick wall installation UP700/Sigma75/ Sigma8	\$11.90	\$13.09

Kappa20 Dual Flush Button & Access Plate



Spare Parts

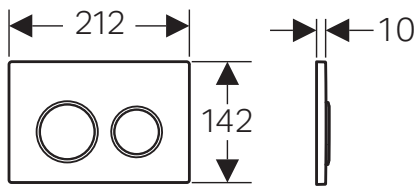
- Refer to page 36 for spare parts

Compatible Cistern

- Kappa cistern

Article Number	Description	RRP Ex. GST	RRP Inc. GST
115.228.11.1	Kappa20 Mechanical dual flush button/access plate white (ABS)	\$99.99	\$109.98
115.228.21.1	Kappa20 Mechanical dual flush button/access plate chrome (ABS)	\$163.57	\$179.93
115.228.46.1	Kappa20 Mechanical dual flush button/access plate satin chrome (ABS)	\$163.57	\$179.93

Kappa21 Dual Flush Button & Access Plate



Spare Parts

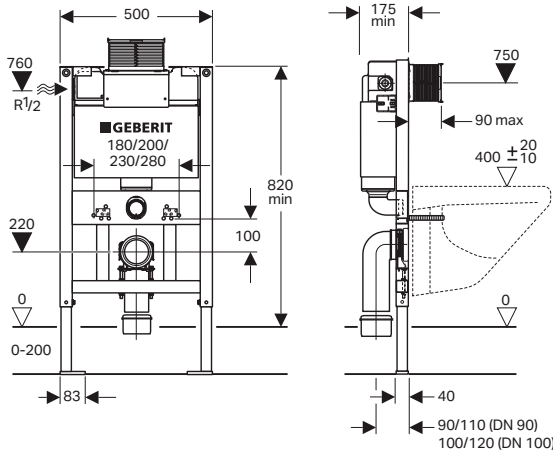
- Refer to page 36 for spare parts

Compatible Cistern

- Kappa cistern

Article Number	Description	RRP Ex. GST	RRP Inc. GST
115.240.KJ.1	Kappa21 Mechanical dual flush button/access plate white/chrome/white (ABS)	\$117.00	\$128.70
115.240.KL.1	Kappa21 Mechanical dual flush button/access plate white/matt/matt (ABS)	\$117.00	\$128.70
115.240.KH.1	Kappa21 Mechanical dual flush button/access plate chrome/matt/chrome (ABS)	\$140.00	\$154.00
115.240.KN.1	Kappa21 Mechanical dual flush button/access plate matt/chrome/matt (ABS)	\$140.00	\$154.00
115.240.KK.1	Kappa21 Mechanical dual flush button/access plate white/gold plated/white (ABS)	\$154.50	\$169.95
115.240.KM.1	Kappa21 Mechanical dual flush button/access plate black/chrome/black (ABS)	\$140.00	\$154.00

Kappa Duofix Under Counter Concealed Cistern – Wall Hung



Spare Parts

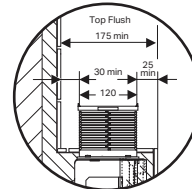
- Refer to page 28 for spare parts

Features for low level installations

- Suits S or P trap BTW pans
- Operating pressure 10-1000kpa
- Front or top flush
- Mechanical or pneumatic operation
- 400kg load rated frame

Compatible Flush Plates or Pneumatic Buttons

- Kappa20, Kappa21, Kappa50
- Remote for Kappa – in vanity installation**
- Sigma20,30,50 plates with Sigma adapter box fitted



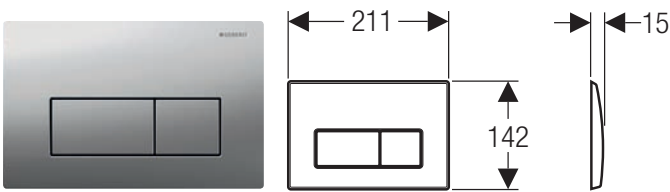
** requires separate access for servicing

Article Number	Description	RRP Ex. GST	RRP Inc. GST
111.262.00.1	Kappa duofix top/front flush 3 star	\$636.34	\$699.98
111.263.00.1	Kappa duofix top/front flush 4 star	\$636.34	\$699.98

Accessories

Article Number	Description	RRP Ex. GST	RRP Inc. GST
111.815.00.1	Duofix brick wall fastening set 135-200mm	\$41.43	\$45.57
170.317.00.1	Contact/sound insulation foam sheet for wall hung WC	\$26.17	\$28.79
366.887.16.1	P-trap adapter HDPE – dia 90mm, L=310mm	\$37.93	\$41.72
366.061.16.1	S-Bend PVC, dia. 90x110mm	\$28.51	\$31.37
225.008.00.1	Sigma adapter for Kappa under counter cisterns – only for use with Sigma flush plate, must be installed at rough in	\$23.71	\$26.09

Kappa50 Dual Flush Button & Access Plate



Spare Parts

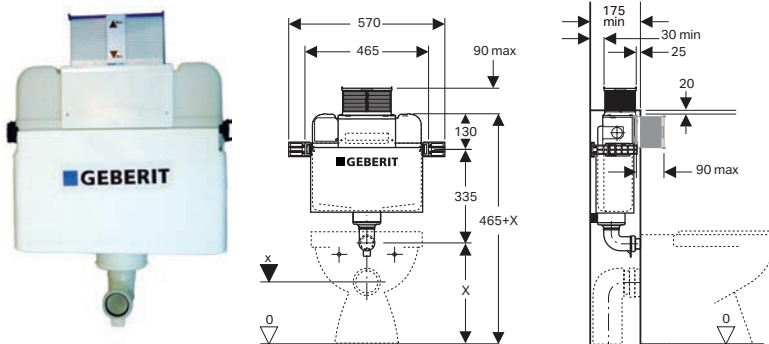
- Refer to page 36 for spare parts

Compatible Cisterns

- Kappa cistern

Article Number	Description	RRP Ex. GST	RRP Inc. GST
115.258.00.1	Kappa50 Mechanical dual flush button/access plate stainless steel (metal)	\$269.14	\$296.06
115.260.11.1	Kappa50 Mechanical dual flush button/access plate white/chrome/white (metal)	\$269.14	\$296.06
115.260.21.1	Kappa50 Mechanical dual flush button/access plate chrome (metal)	\$291.14	\$320.26
115.260.46.1	Kappa50 Mechanical dual flush button/access plate satin (metal)	\$291.14	\$320.26

Kappa Under Counter Concealed Cistern – BTW



Spare Parts

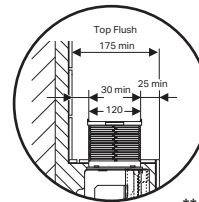
- Refer to page 28 for spare parts

Features

- Suits S or P trap BTW pans
- Operating pressure 10-1000kpa
- Front or top flush
- Mechanical or pneumatic operation

Compatible Flush Plates or Pneumatic Buttons

- Kappa20, Kappa21, Kappa50
- Remote for Kappa – in vanity installation**
- Sigma20,30,50 plates with Sigma adapter box fitted



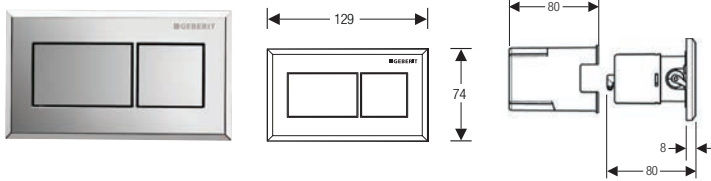
** requires separate access for servicing

Article Number	Description	RRP Ex. GST	RRP Inc. GST
110.206.00.1	Kappa top/front flush H820mm 3 star	\$354.53	\$389.98
110.208.00.1	Kappa top/front flush H820mm 4 star	\$354.53	\$389.98

Accessories

Article Number	Description	RRP Ex. GST	RRP Inc. GST
225.008.00.1	Sigma adapter for Kappa under counter cisterns – only for use with Sigma flush plate, must be installed at rough in	\$23.71	\$26.09

Sigma/Kappa Pneumatic Square Buttons

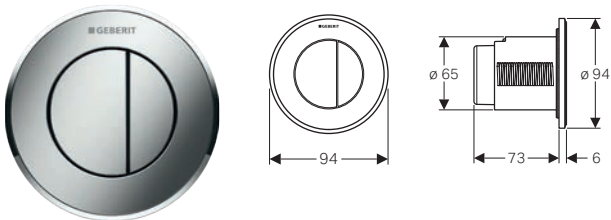


Compatible Cisterns

- All Sigma, Kappa
- Service access required for the cistern

Article Number	Description	RRP Ex. GST	RRP Inc. GST
117.032.KA.1	Sigma square dual flush remote buttons, pneumatic brushed chrome/bright chrome trim (ABS)	\$155.93	\$171.52
117.032.KT.1	Sigma square dual flush remote buttons, pneumatic brushed chrome/white trim (ABS)	\$155.93	\$171.52
117.032.KV.1	Sigma square dual flush remote buttons, pneumatic brushed chrome/black trim (ABS)	\$155.93	\$171.52
243.126.FW.1	Sigma square access plate brushed s/s (metal) – for Sigma cisterns	\$60.29	\$66.31

Remote Actuator for Sigma8 – In-wall



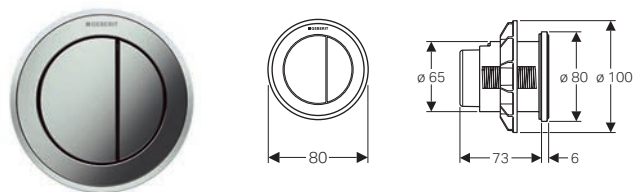
Compatible Cisterns

- Sigma8, Sigma75
- Service access required for the cistern

* 3.5mm pneumatic hose

Article Number	Description	RRP Ex. GST	RRP Inc. GST
116.056.KH.1	Typ10 remote in-wall bright chrome/satin chrome outside trim (ABS)	\$127.26	\$139.98
116.056.KJ.1	Typ10 remote in-wall white/bright chrome outside trim (ABS)	\$113.61	\$124.98
116.056.KK.1	Typ10 remote in-wall white/gold outside trim (ABS)	\$263.64	\$290.00
116.056.KM.1	Typ10 remote in-wall black/bright chrome outside trim (ABS)	\$127.26	\$139.98
116.056.KN.1	Typ10 remote in-wall satin chrome/bright chrome outside trim (ABS)	\$127.26	\$139.98
116.045.11.1	Typ10 remote Sigma care button in-wall white (ABS)	\$113.61	\$124.98

Remote Actuator for Kappa – In-vanity



Compatible Cisterns

- All Kappa
- Service access required for the cistern

* 3.5mm pneumatic hose

Article Number	Description	RRP Ex. GST	RRP Inc. GST
116.057.KH.1	Typ10 remote for Kappa in-vanity bright chrome/satin chrome outside trim (ABS)	\$127.26	\$139.38
116.057.KJ.1	Typ10 remote for Kappa in-vanity white/bright chrome outside trim (ABS)	\$113.61	\$124.98
116.057.KK.1	Typ10 remote for Kappa in-vanity white/gold outside trim (ABS)	\$181.00	\$199.10
116.057.KM.1	Typ10 remote for Kappa in-vanity black/bright chrome outside trim (ABS)	\$113.61	\$124.98
116.057.KN.1	Typ10 remote for Kappa in-vanity satin chrome/bright chrome outside trim (ABS)	\$127.26	\$139.98

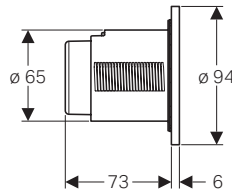
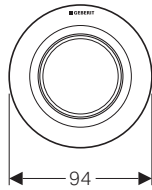
Remote Installation in Accessories

Article Number	Description	RRP Ex. GST	RRP Inc. GST
115.768.11.1	Sigma remote cover plate blank white (ABS)	\$25.41	\$27.95
115.768.21.1	Sigma remote cover plate blank chrome (ABS)	\$41.78	\$45.96
115.768.46.1	Sigma remote cover plate blank satin (ABS)	\$43.60	\$47.96
225.168.00.1	Flush pipe adapter for Sigma cisterns	\$6.50	\$7.15
225.116.00.1	Dual flush pneumatic 3.5mm hose extension kit including connectors and conduit	\$29.26	\$32.18
242.848.00.1	Dual flush pneumatic hose extension kit 6mm including connectors	\$29.26	\$32.18
240.476.00.1	Flow restrictor for in ceiling installation	\$8.81	\$9.70
461.044.00.1	Service access kit including hinges	\$132.30	\$145.53
118.026.11.1	Flush pipe 250mm including cover for exposed installations white	\$24.84	\$27.33
118.026.21.1	Flush pipe 250mm including cover for exposed installations chrome	\$39.69	\$43.65
152.170.16.1	HDPE flush pipe dia 45mm, 1mtr long	\$13.53	\$14.88
241.294.00.1	Flush bend for brick wall installation UP700 Sigma75/Sigma8	\$11.90	\$13.09
170.334.00.1	Duofix chair bracket for wall hung pans	\$321.43	\$353.57
241.899.00.1	Extended waste pipe, L=410mm	\$37.93	\$41.72

Single Flush Pneumatic Button



116.040.xx.1

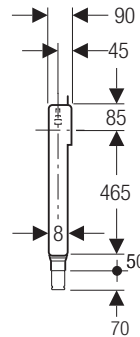
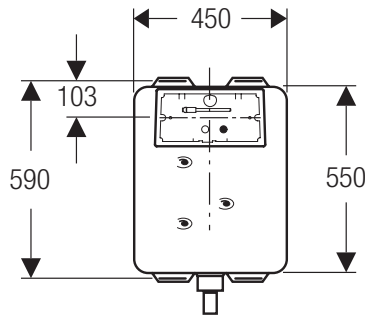


Compatible Cisterns

- UP170 urinal
- Service access required for the cistern

Article Number	Description	RRP Ex. GST	RRP Inc. GST
116.040.21.1	Round single flush pneumatic – chrome	\$127.26	\$139.98
116.040.46.1	Round single flush pneumatic – satin	\$127.26	\$139.98
115.918.00.1	Pneumatic single flush foot operation (3.5mm hose)	\$177.57	\$195.33

UP170 Urinal Cistern 1.8L



Features

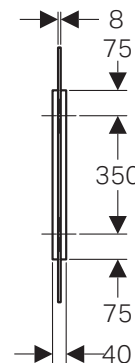
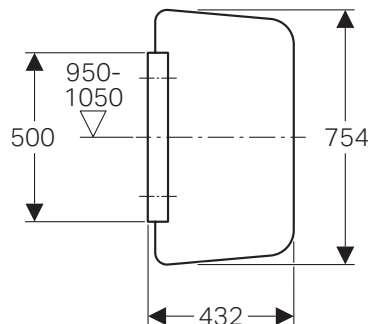
- Suits sparged urinals
- 10-1000kpa
- Pneumatic remote operation

Article Number	Description	RRP Ex. GST	RRP Inc. GST
224.314.00.1	UP170 Pneumatic concealed cistern 1.8L urinal 3 star	\$391.14	\$430.26

Accessories

Article Number	Description	RRP Ex. GST	RRP Inc. GST
225.117.00.1	Single flush pneumatic hose extension kit incl. connectors and conduit (3.5mm hose)	\$28.67	\$31.54
115.398.00.1	Access panel S/S for concealed cisterns	\$89.00	\$97.90

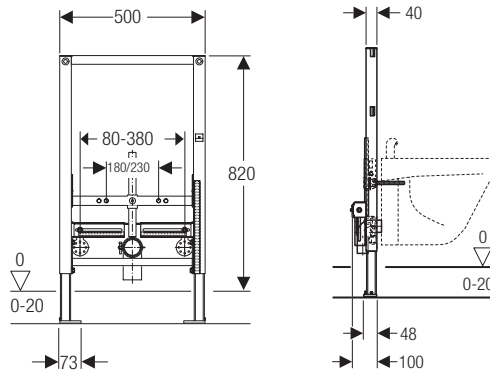
Urinal Partition Walls



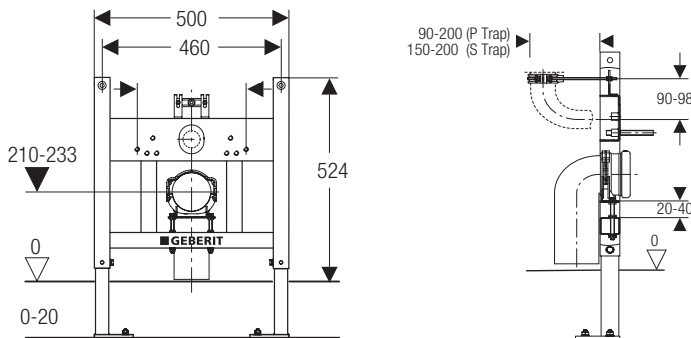
Article Number	Description	RRP Ex. GST	RRP Inc. GST
115.211.TD.1	Urinal partition glass rectangular, white	\$675.57	\$743.13
115.211.CD.1	Urinal partition glass rectangular, grey	\$675.57	\$743.13

Duofix Frames

Bidet



Chair Bracket For Wall Hung Pans

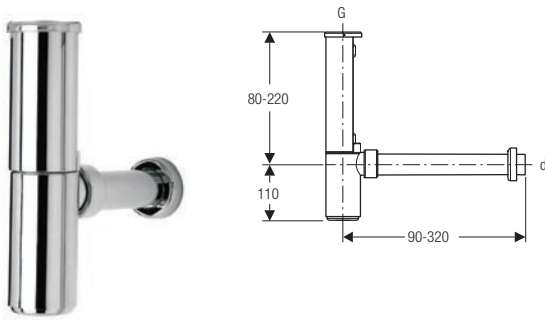


Article Number	Description	RRP Ex. GST	RRP Inc. GST
111.524.00.1	Duofix frame bidet	\$278.86	\$306.74
170.334.00.1	Duofix chair bracket for wall hung pans	\$321.43	\$353.57

Accessories

Article Number	Description	RRP Ex. GST	RRP Inc. GST
366.887.16.1	P-trap adapter HDPE – dia 90mm, L=310mm	\$37.93	\$41.72
170.317.00.1	Contact/sound insulation foam sheet for wall hung WC	\$26.17	\$28.79
111.815.00.1	Duofix brick wall fastening set 135-200mm	\$41.43	\$45.57

Diseno Bottle Trap



Features

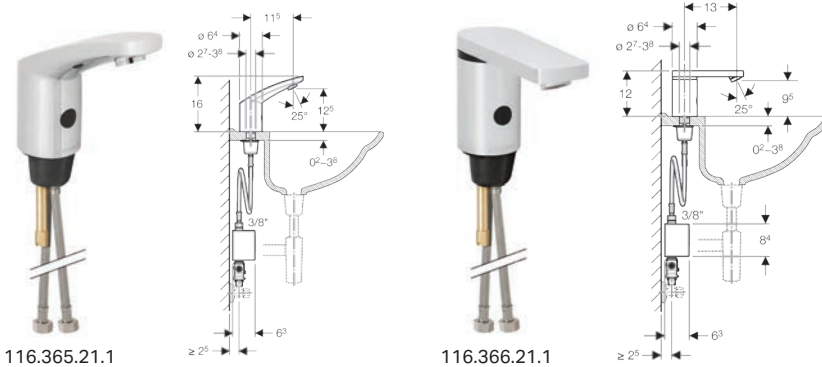
- Chrome plated ABS plastic
- Connection set to 40mm DW socket
- Adapter for 32mm basin plugs
- Variable length adjustment

Article Number	Description	RRP Ex. GST	RRP Inc. GST
170.130.21.1	Diseno chrome bottle trap 11/2"x 40mm incl adapter 11/2"x11/4" (ABS)	\$82.14	\$90.36

Accessories

Article Number	Description	RRP Ex. GST	RRP Inc. GST
219.225.00.0	Kee seal 40x43mm for diseno trap	\$5.89	\$6.47

Sensor Taps

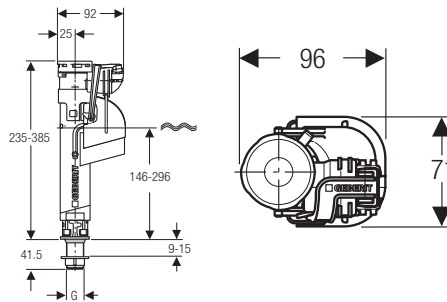


Features

- Self generating power supply
- Touch free operation

Article Number	Description	RRP Ex. GST	RRP Inc. GST
116.365.21.1	HyTronic sensor tap typ185 chrome, battery & power generator with mixer set at installation for blended water	\$763.93	\$840.32
116.366.21.1	HyTronic sensor tap typ186 chrome, battery & power generator with mixer set at installation for blended water	\$865.96	\$952.55

Fors Inlet Valve



Features

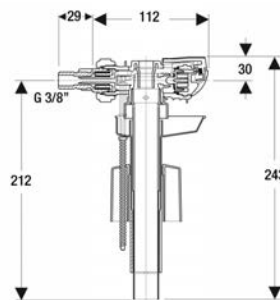
- For bottom inlet
- VC & Plastic exposed cisterns
- Adjustable height
- 10-1000KPA
- Quiet and fast filling

Article Number	Description	RRP Ex. GST	RRP Inc. GST
222.100.00.1	Fors typ360 bottom inlet valve 1/2" (25 box quantity)	\$18.50	\$20.35
222.101.00.1	Fors typ360 bottom inlet valve 3/8"	\$ 23.71	\$ 26.09

Spare Parts

Article Number	Description	RRP Ex. GST	RRP Inc. GST
242.487.00.1	Diaphragm and lever kit, for Fors typ360 bottom inlet	\$5.00	\$5.50

Impuls380 Inlet Valve



Features

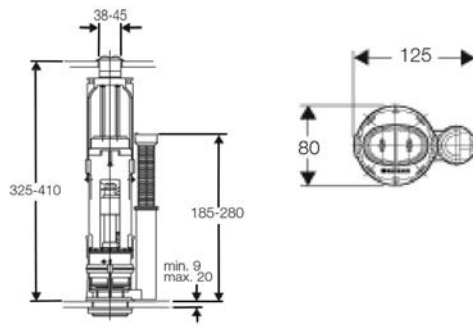
- Back or side inlet VC, plastic or concealed cisterns

Article Number	Description	RRP Ex. GST	RRP Inc. GST
222.012.00.1	Impuls typ380 inlet valve with 1/2" nipple and back nut	\$60.50	\$66.55
222.011.00.1	Impuls typ380 inlet valve with 3/8" nipple short incl accessories	\$58.00	\$63.80
222.026.00.1	Impuls typ380 with long 3/8" stratos nipple	\$62.29	\$68.51
240.884.00.1	Impuls typ380 inlet valve with 1/2" bottom inlet (incl hose)	\$74.67	\$82.14
222.013.00.1	Impuls typ380 inlet valve with flex hose 3/8" for back inlet cistern	\$63.71	\$70.09
222.018.00.1	Impuls typ380 old style servo valve replacement kit	\$43.21	\$47.54

Spare Parts

Article Number	Description	RRP Ex. GST	RRP Inc. GST
240.989.00.1	3/8" hose for 222.013.00.1	\$21.90	\$24.09
242.752.00.1	1/2" flex hose L295mm pair with 222.018.00.1	\$17.95	\$19.72
274.400.00.1	Impuls typ380 inlet valve clip, for mounting onto outlet valves (Typ250/280/290)	\$4.36	\$4.79
170.360.00.1	Impuls typ380 diaphragm and lever	\$5.14	\$5.66

Impuls250 For Close Coupled Cisterns



Features

- For close coupled cisterns

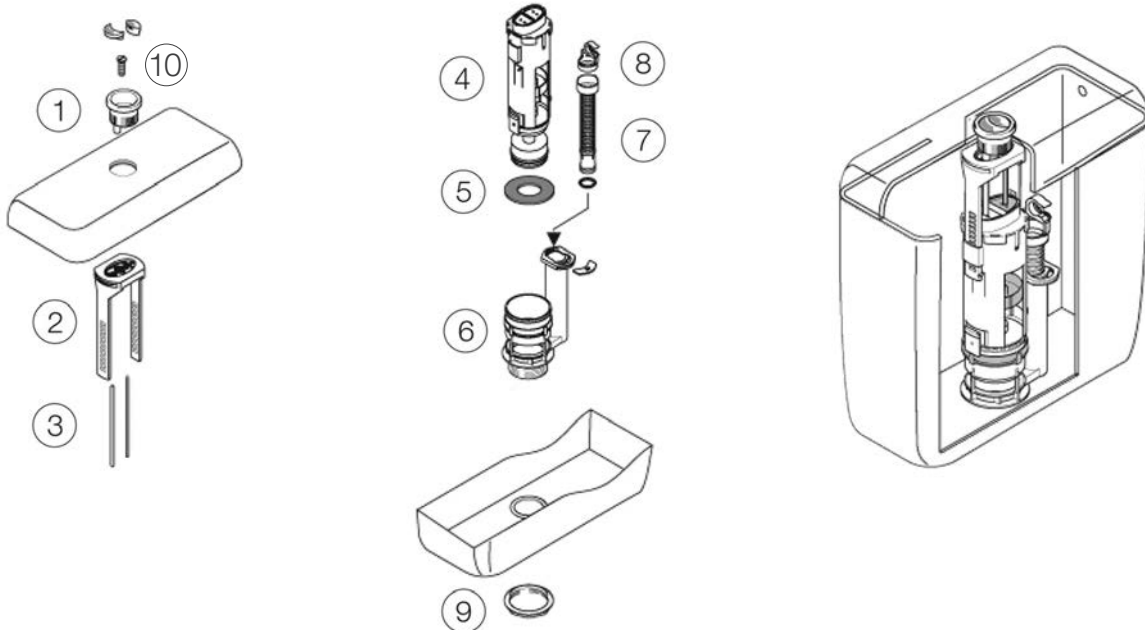
Article Number	Description	RRP Ex. GST	RRP Inc. GST
222.240.00.1	Impuls typ250 dual flush outlet valve for Close Coupled cisterns with lid attachment complete	\$82.17	\$90.39

Accessories

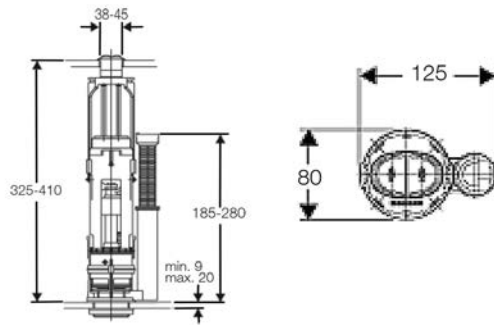
Article Number	Description	RRP Ex. GST	RRP Inc. GST
274.400.00.1	Impuls typ380 inlet valve clip, for mounting onto outlet valves	\$4.36	\$4.79

Spare Parts

Article Number	Pos	Description	RRP Ex. GST	RRP Inc. GST
240.275.00.1	1	Dual flush button complete satin/chrome, for Impuls typ250	\$20.14	\$22.16
170.350.00.1	2	Cistern lid bracket, for Impuls typ250	\$10.73	\$11.80
170.351.00.1	3	Actuator rod set, for Impuls typ250, half+full flush	\$5.14	\$5.66
225.112.00.1	4	Impuls typ250 outlet valve mechanism including seal	\$53.51	\$58.87
816.418.00.1	5	Outlet valve seal/washer, silicone size 63mmx32mm	\$6.17	\$6.79
170.421.00.1	6	Impuls typ250 basket complete with overflow pipe fixing clip	\$25.14	\$27.66
170.482.00.1	7	Impuls typ250/280/290 overflow pipe	\$9.56	\$10.51
274.400.00.1	8	Impuls typ380 inlet valve clip, for mounting onto outlet valves	\$4.36	\$4.79
170.498.00.1	9	Outlet valve nut for Impuls typ250/280/290	\$5.29	\$5.81
170.440.00.1	10	Impulse250 outlet valve screw	\$4.11	\$4.53



Impuls250 For Linked Cisterns



- Features**
- For linked cisterns

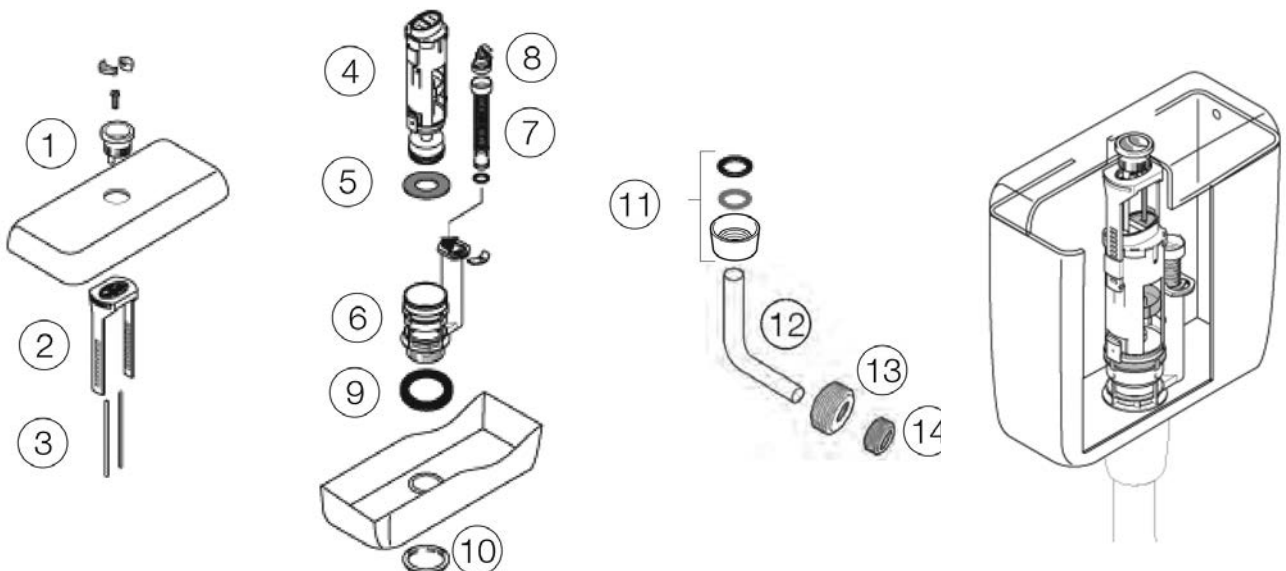
Article Number	Description	RRP Ex. GST	RRP Inc. GST
222.241.00.1	Impuls typ250 dual flush outlet valve for connector consterns with lid attachment complete	\$83.64	\$92.01

Accessories

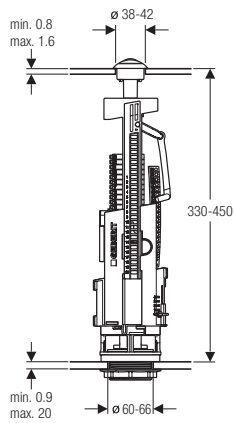
Article Number	Description	RRP Ex. GST	RRP Inc. GST
170.348.00.1	Nut & Seal for OD50mm flush bend for connection to Geberit outlet valve	\$8.97	\$9.87
891.377.11.1	Flush bend white, dia. 50x45mm, for Vanity-Set/Monolith WC	\$26.00	\$28.60
119.668.00.1	Kee seal for flush pipe 52-56mm	\$7.06	\$7.76
240.775.00.1	Kee seal for flush pipe 55-60mm	\$8.81	\$9.70
274.400.00.1	Impuls typ380 inlet valve clip, for mounting onto outlet valves	\$4.36	\$4.79

Spare Parts

Article Number	Pos	Description	RRP Ex. GST	RRP Inc. GST
240.275.00.1	1	Dual flush button complete satin/chrome, for Impuls typ250	\$20.14	\$22.16
170.350.00.1	2	Cistern lid bracket, for Impuls typ250	\$10.73	\$11.80
170.351.00.1	3	Actuator rod set, for Impuls typ250, half+full flush	\$5.14	\$5.66
225.112.00.1	4	Impuls typ250 outlet valve mechanism including seal	\$53.51	\$58.87
816.418.00.1	5	Outlet valve seal/washer, silicone size 63mmx32mm	\$6.17	\$6.79
170.423.00.1	6	Impuls typ250 basket incl nut and seal, thread 45mm long	\$24.84	\$27.33
170.482.00.1	7	Impuls typ250/280/290 overflow pipe	\$9.56	\$10.51
274.400.00.1	8	Impuls typ380 inlet valve clip, for mounting onto outlet valves	\$4.70	\$5.17
170.348.00.1	11	Nut & Seal for OD50mm flush bend for connection to Geberit outlet valve	\$8.97	\$9.87
891.377.11.1	12	Flush bend white, dia. 50x45mm, for Vanity-Set/Monolith WC	\$26.00	\$28.60
240.775.00.1	13	Kee seal for flush pipe 55-60mm	\$8.81	\$9.70
119.668.00.1	14	Kee seal for flush pipe 52-56mm	\$7.06	\$7.76



Impuls 260 For Close Coupled Cisterns



Features

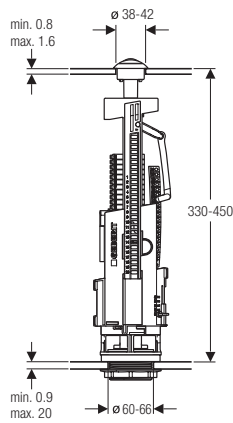
- For close coupled cisterns

Article Number	Description	RRP Ex. GST	RRP Inc. GST
223.003.21.1	Impuls typ260 outlet valve complete	\$62.64	\$68.91

Spare Parts

Article Number	Description	RRP Ex. GST	RRP Inc. GST
274.021.21.1	Impuls typ260 outlet valve actuator only, bright chrome	\$20.14	\$22.16
816.418.00.1	Outlet valve seal/washer, silicone size 63mmx32mm	\$6.17	\$6.79

Impuls260 For Close Coupled Cisterns With Customised Buttons



Features

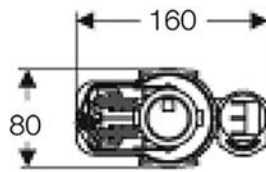
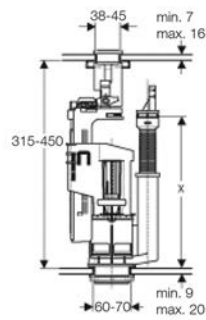
- For close coupled cisterns with customised buttons

Article Number	Description	RRP Ex. GST	RRP Inc. GST
223.002.00.1	Impuls typ260 outlet valve, for customised actuator	\$60.00	\$66.00

Spare Parts

Article Number	Description	RRP Ex. GST	RRP Inc. GST
816.418.00.1	Outlet valve seal/washer, silicone size 63mmx32mm	\$6.17	\$6.79

Impuls280 for Close Coupled Cisterns



Features

- For close coupled cisterns

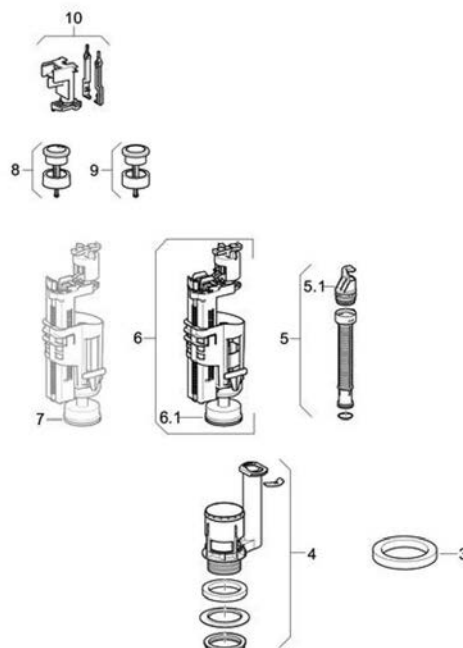
Article Number	Description	RRP Ex. GST	RRP Inc. GST
272.303.KG.1	Impuls typ280 outlet valve, complete	\$91.87	\$101.06

Accessories

Article Number	Pos	Description	RRP Ex. GST	RRP Inc. GST
274.006.KG.1	8	Impuls typ280 outlet valve actuator only, chrome/satin	\$20.14	\$22.16
274.400.00.1	5.1	Impuls typ380 inlet valve clip (typ250/280), for mounting onto outlet valves	\$4.36	\$4.79

Spare Parts

Article Number	Pos	Description	RRP Ex. GST	RRP Inc. GST
241.801.00.1	4	Impuls typ280/290 outlet valve, basket complete, with seal & nut CC	\$24.11	\$26.53
241.825.00.1	4	Impuls typ280/290 outlet valve, basket complete, with seal & nut connector cistern	\$24.11	\$26.53
170.482.00.1	5	Impuls typ250/280/290 overflow pipe	\$9.56	\$10.51
274.400.00.1	5.1	Impuls typ380 inlet valve clip (typ250/280), for mounting onto outlet valves	\$4.36	\$4.79
241.802.00.1	6	Impuls typ280 outlet valve mechanism, incl. seal	\$70.11	\$77.13
274.006.KG.1	8	Impuls typ280 outlet valve actuator only, chrome/satin	\$20.14	\$22.16
170.498.00.1		Outlet valve nut for Impuls typ250/280/290	\$5.29	\$5.81
274.600.00.1	10	Impuls typ280 outlet valve extension set	\$19.56	\$21.51

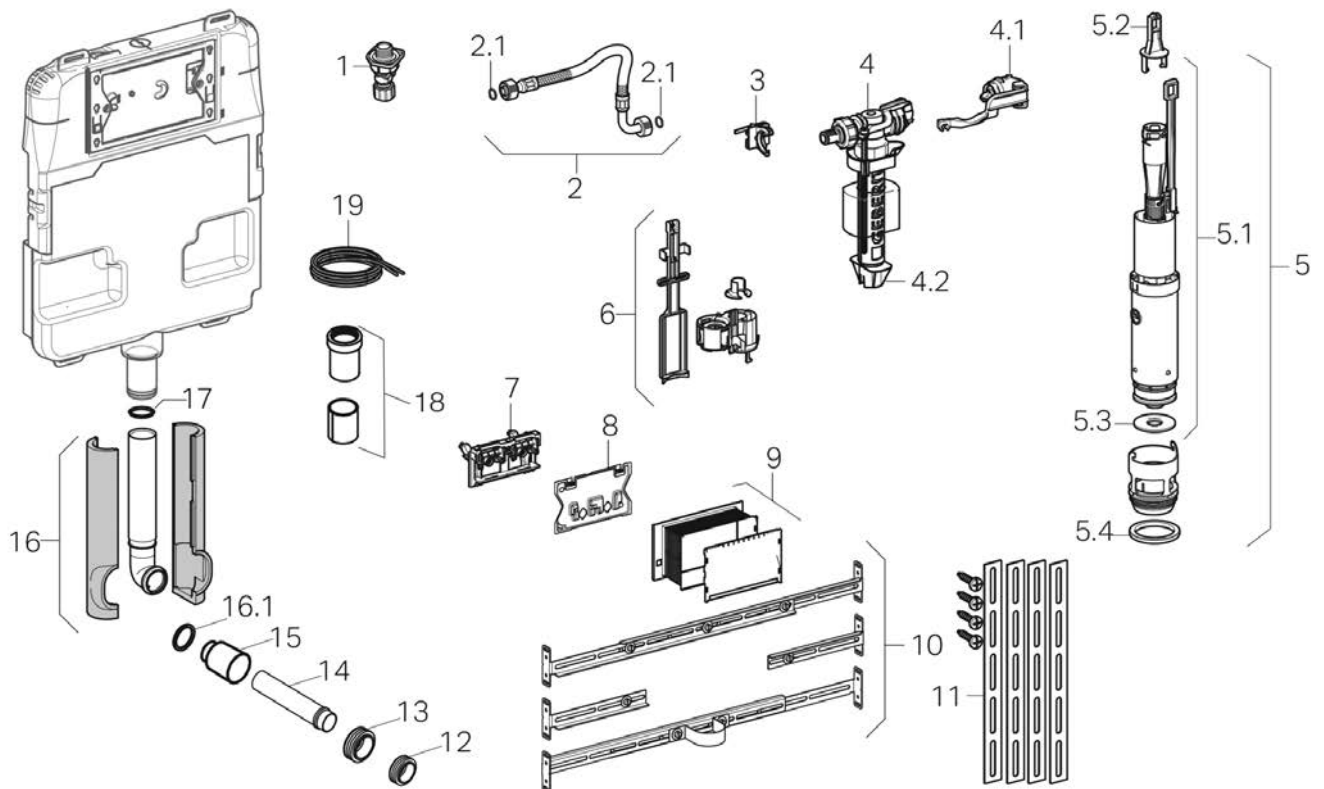


Spare Parts Concealed Cisterns



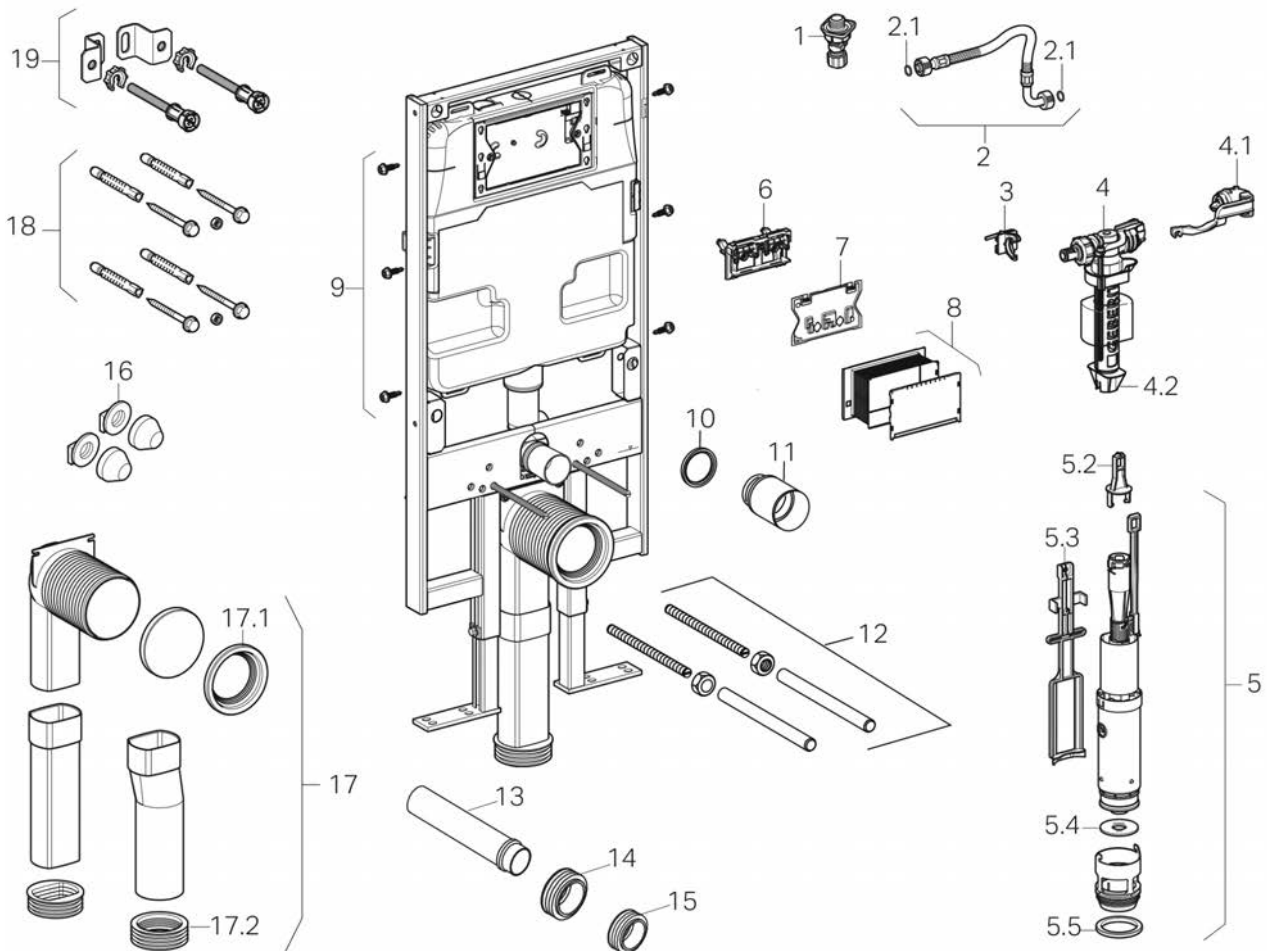
UP750 Sigma75 Pneumatic/Mechanical

Article Number	Pos	Description	RRP Ex. GST	RRP Inc. GST
240.847.00.1	1	Stop valve DR-Brass, for concealed cisterns	\$52.19	\$57.40
225.164.00.1	2	Flexible hose DR-Brass for Sigma Cistern 75mm	\$28.71	\$31.59
241.286.00.1	3	Inlet valve clip – UP700/Sigma Cistern 75mm	\$4.71	\$5.19
222.011.00.1	4	Impuls typ380 inlet valve with 3/8" nipple short incl accessories	\$58.00	\$63.80
170.360.00.1	4.1	Impuls typ380 diaphragm and lever	\$5.14	\$5.66
241.290.00.0	5	Outlet valve complete with basket for Sigma8 & Sigma75 cistern	\$71.14	\$78.26
241.291.00.1	5.3	Gasket seal, for outlet valve UP700/Sigma75 & Sigma8 Cistern	\$6.17	\$6.79
242.569.00.1	6	Pneumatic lifter 3.5mm hose D/F, for Sigma75/Sigma8	\$31.36	\$34.49
242.845.00.1	6	Pneumatic lifter 6mm hose dual flush Sigma75/Sigma8	\$31.36	\$34.49
242.537.00.1	7	Transmission block for Sigma cistern 75mm	\$34.50	\$37.95
242.418.00.1	8	Inner cistern cover for Sigma cistern 75mm	\$22.79	\$25.06
241.826.00.1	9	Installation duct, for all Sigma cisterns	\$36.60	\$40.26
225.165.00.1	10	Wall fastening set for Sigma Cistern 75mm	\$23.14	\$25.46
119.668.00.1	12	Kee seal for flush pipe 52-56mm	\$7.06	\$7.76
240.775.00.1	13	Kee seal for flush pipe 55-60mm	\$8.81	\$9.70
871.736.93.0	14	Flush pipe connector dia 45mm, for all UP cisterns	\$6.47	\$7.12
362.796.92.1	15	Protector plug – all UP cisterns	\$4.70	\$5.17
241.294.00.1	16	Flush bend for brick wall installation UP700 Sigma75/Sigma8	\$11.90	\$13.09
362.771.00.1	16.1	Rubber ring seal, for UP170, Sigma8 Sigma75 flush bend	\$5.00	\$5.50
225.168.00.1	18	Flush pipe adapter for Sigma cisterns	\$6.50	\$7.15
240.575.00.1	19	Dual flush pneumatic hose, 3mm x 2m	\$9.70	\$10.67
242.848.00.1		Dual flush pneumatic hose extension kit 6mm inc connectors	\$29.26	\$32.18



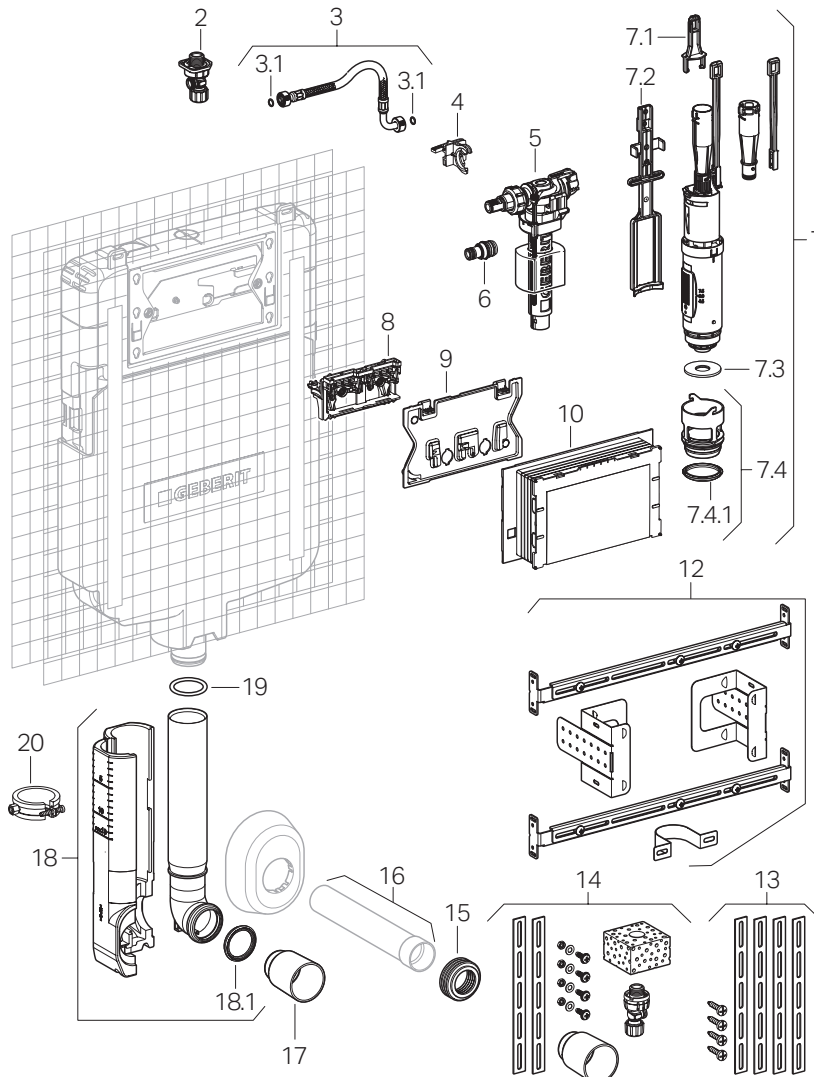
Duofix UP750 Sigma75 Mechanical

Article Number	Pos	Description	RRP Ex. GST	RRP Inc. GST
240.847.00.1	1	Stop valve DR-Brass, for concealed cisterns	\$52.19	\$57.40
225.164.00.1	2	Flexible hose DR-Brass for Sigma Cistern 75mm	\$28.71	\$31.59
241.286.00.1	3	Inlet valve clip – UP700/Sigma Cistern 75mm	\$4.71	\$5.19
222.011.00.1	4	Impuls typ380 inlet valve with 3/8" nipple short incl accessories	\$58.00	\$63.80
170.360.00.1	4.1	Impuls typ380 diaphragm and lever	\$5.14	\$5.66
241.290.00.1	5	Outlet valve complete with basket for Sigma8 & Sigma75 cistern	\$71.14	\$78.26
241.291.00.1	5.4	Gasket seal, for outlet valve UP700/Sigma75 & Sigma8 Cistern	\$6.17	\$6.79
242.537.00.1	6	Transmission block for Sigma cistern 75mm	\$34.50	\$37.95
242.418.00.1	7	Inner cistern cover for Sigma cistern 75mm	\$22.79	\$25.06
241.826.00.1	8	Installation duct, for all Sigma cisterns	\$36.60	\$40.26
362.771.00.1	10	Rubber ring seal, for UP170, Sigma8 Sigma75 flush bend	\$5.00	\$5.50
362.796.92.1	11	Protector plug – all UP cisterns	\$4.70	\$5.17
240.189.00.1	12	Threaded rod for wall-hung WC	\$6.47	\$7.12
871.736.93.0	13	Flush pipe connector dia 45mm, for all UP cisterns	\$6.47	\$7.12
119.668.00.1	14	Keel seal for flush pipe 52-56mm	\$7.06	\$7.76
240.775.00.1	15	Keel seal for flush pipe 55-60mm	\$8.81	\$9.70
217.713.46.1	16	Cover caps for wall hung pans - satin chrome	\$12.79	\$14.06
242.564.00.1	17	Duofix Sigma cistern 75mm, waste connector set, complete	\$51.71	\$56.89



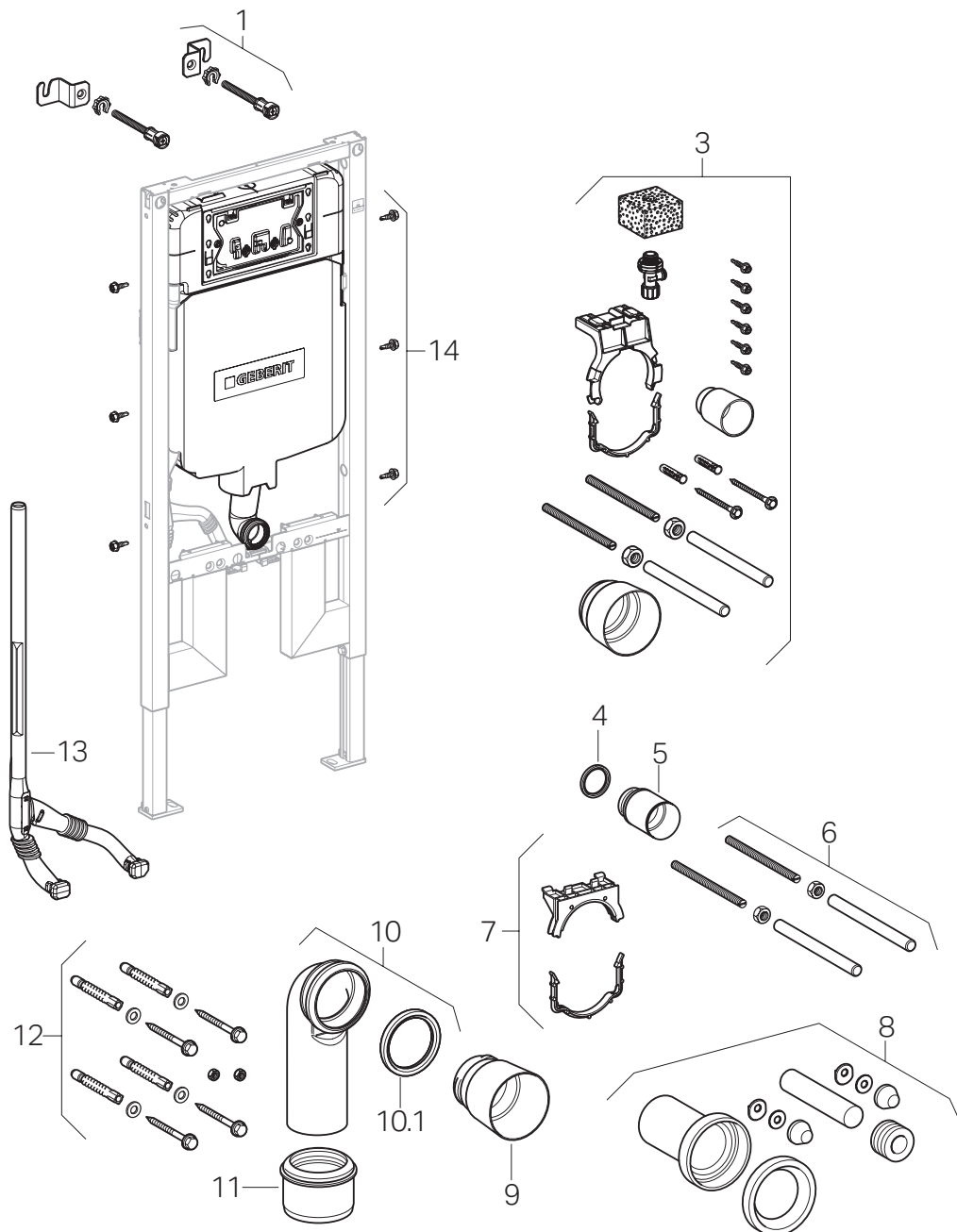
Sigma8 Concealed Cistern

Article Number	Pos	Description	RRP Ex. GST	RRP Inc. GST
240.847.00.1	2	Stop valve DR-Brass, for concealed cisterns	\$52.19	\$57.40
243.357.00.1	3	Inlet valve hose Sigma8 (2016)	\$28.71	\$31.59
243.279.00.1	4	Inlet valve clip – Sigma8 (2016)	\$4.71	\$5.19
222.011.00.1	5	Impuls typ380 inlet valve with 3/8" nipple short incl accessories	\$58.00	\$63.80
241.290.00.1	7	Outlet valve for Sigma75 & Sigma8 cistern	\$71.14	\$78.26
241.291.00.1	7.3	Gasket seal for outlet valve UP700/Sigma75 & Sigma8 Cistern	\$6.17	\$6.79
242.269.00.1	7.4	Outlet Valve basket & Seal Sigma8	\$23.29	\$25.61
243.344.00.1	8	Transmission block Sigma8 (2016)	\$36.23	\$39.85
242.418.00.1	9	Inner cistern cover for Sigma cistern 75mm	\$22.79	\$25.06
243.345.00.1	10	Installation duct, for all Sigma cisterns	\$38.43	\$42.27
243.272.00.1	12	Sigma8 Fastening kit – stud walls	\$23.14	\$25.46
119.668.00.1	15	Kee seal for flush pipe 52-56mm	\$7.06	\$7.76
240.775.00.1	15	Kee seal for flush pipe 55-60mm	\$8.81	\$9.70
871.736.93.0	16	Flush pipe connector dia 45mm, for all UP cisterns	\$6.47	\$7.12
362.796.92.1	17	Protector plug – all UP cisterns	\$4.70	\$5.17
241.294.00.1	18	Flush bend for brick wall installation UP700 Sigma75/Sigma8	\$11.90	\$13.09
362.771.00.1	18.1	Rubber ring seal for UP170, Sigma8 Sigma75 flush bend	\$5.00	\$5.50
892.975.00.1	19	O-ring Seal for Sigma8 cistern	\$6.06	\$6.66
240.575.00.1		Dual flush pneumatic hose, 3mm x 2m	\$9.70	\$10.67
242.569.00.1		Pneumatic lifter 3.5mm hose dual flush for Sigma75/Sigma8	\$31.36	\$34.49
242.845.00.1		Pneumatic lifter 6mm hose dual flush Sigma75/Sigma8	\$31.36	\$34.49



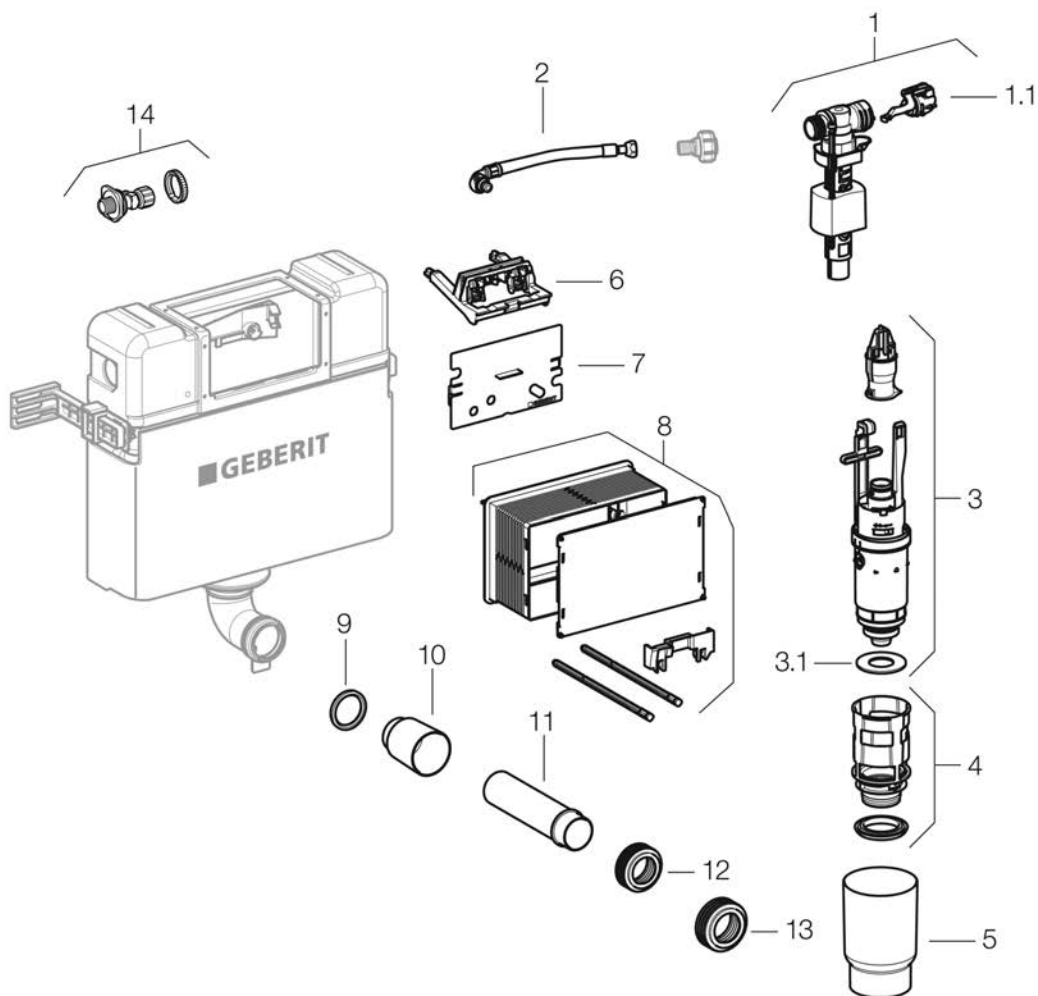
Sigma8 Duofix Cistern

Article Number	Pos	Description	RRP Ex. GST	RRP Inc. GST
111.013.00.1	1	Duofix wall anchoring for Sigma8 (2016) set-2	\$40.00	\$44.00
242.421.00.1	3	Waste bracket set Sigma8	\$31.43	\$34.57
362.771.00.1	4	Rubber ring seal for UP170, Sigma8 and Sigma75 flush bend	\$5.00	\$5.50
362.796.92.1	5	Protector plug – all UP cisterns	\$4.70	\$5.17
240.189.00.1	6	Threaded rod for wall hung WC	\$6.47	\$7.12
242.012.00.1	7	Pipe bracket	\$13.29	\$14.62
152.426.11.1	8	Pan connection set white with pan collar and flush pipe	\$47.00	\$51.70
366.820.92.1	9	Protection plug for WC outlet bend 90mm	\$8.67	\$9.54
241.899.00.1	10	PE WC S-bend, dia. 90mm L=410mm	\$37.93	\$41.72
216.179.00.1	12	Fastening Set	\$4.29	\$4.72
242.888.00.1	13	Double conduit pipe for DF/KF Sigma8 – not used in Australian installations.	NA	NA



UP120 Kappa Under Counter Cistern

Article Number	Pos	Description	RRP Ex. GST	RRP Inc. GST
222.011.00.1	1	Impuls typ380 inlet valve with 3/8" nipple short incl accessories	\$58.00	\$63.80
170.360.00.1	1.1	Impuls typ380 diaphragm and lever	\$5.14	\$5.66
240.817.00.1	2	Flexible hose complete DR-Brass, for Kappa cisterns	\$29.54	\$32.50
240.638.00.1	3	Outlet valve DF C/C Kappa / Artline Replaces (240.122.00.1)	\$81.89	\$90.07
816.418.00.1	3.1	Outlet valve seal / washer, silicone size 63mmx32mm	\$6.17	\$6.79
240.500.00.1	4	Basket complete with seal, for UP120/UP170	\$26.90	\$29.59
242.202.00.1	5	Kappa cistern outlet valve sleeve 4.5/3L	\$19.56	\$21.51
240.079.00.1	6	Transmission block Kappa cisterns	\$29.40	\$32.34
240.206.00.1	7	Inner cistern cover for UP120	\$19.40	\$21.34
240.172.00.1	8	Installation duct - Kappa cisterns	\$43.80	\$48.18
362.771.00.1	9	Rubber ring seal, for UP170, Sigma8 Sigma75 flush bend	\$5.00	\$5.50
362.796.92.1	10	Protector plug - all UP cisterns	\$4.70	\$5.17
871.736.93.0	11	Flush pipe connector dia 45mm, for all UP cisterns	\$6.47	\$7.12
119.668.00.1	12	Kee seal for flush pipe 52-56mm	\$7.06	\$7.76
240.775.00.1	13	Kee seal for flush pipe 55-60mm	\$8.81	\$9.70
240.847.00.1	14	Stop valve DR-Brass, for concealed cisterns	\$52.19	\$57.40

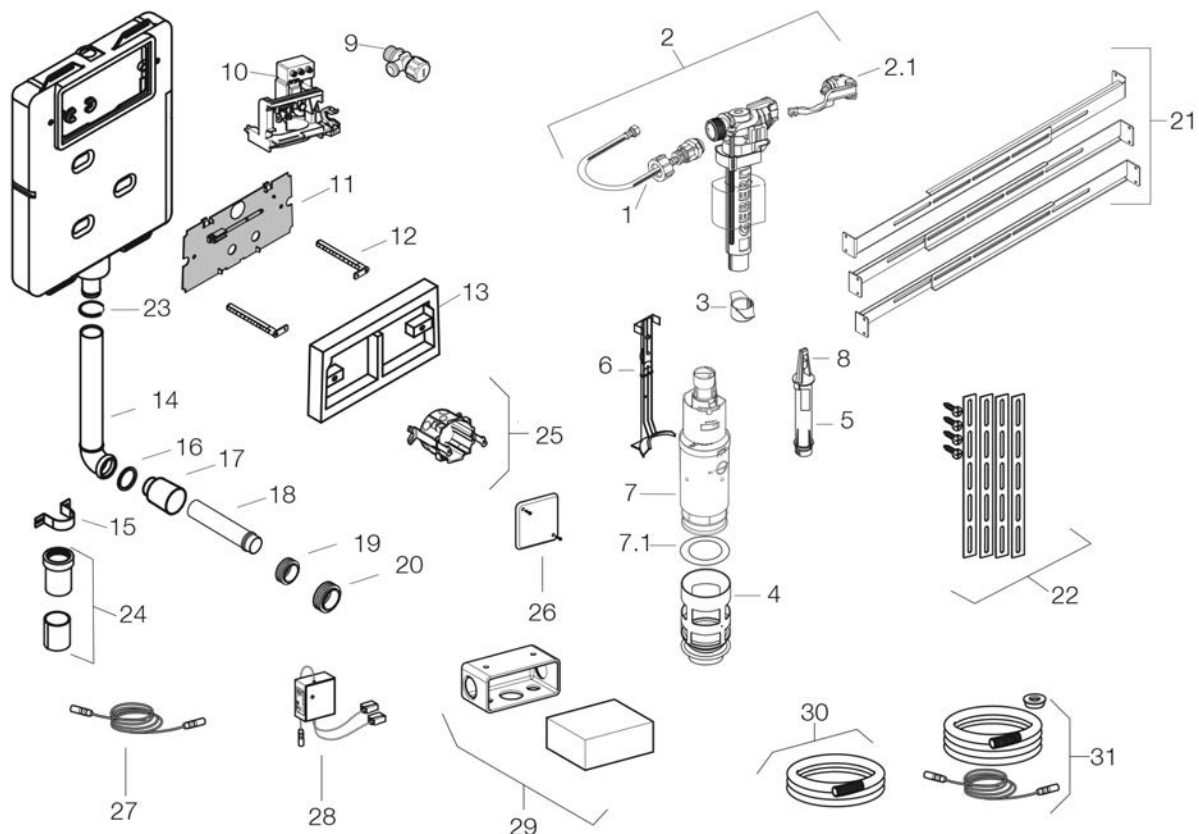


UP170 Electronic Cistern

Article Number	Pos	Description	RRP Ex. GST	RRP Inc. GST
240.989.00.1	1	Flexible hose with 3/8" female nut for rear inlet valve Impuls typ380 (222.013)	\$21.90	\$24.09
222.013.00.1	2	Impuls typ380 inlet valve with flex hose 3/8" for back inlet cistern	\$63.71	\$70.09
170.360.00.1	2.1	Impuls typ380 diaphragm and lever	\$5.14	\$5.66
225.071.00.1	3	Spacer for Impuls typ380 (UP170)	\$4.70	\$5.17
240.500.00.1	4	Basket complete with seal, for UP120/UP170	\$26.90	\$29.59
225.067.00.1	5	Overflow pipe extension, for UP170 outlet valve	\$15.59	\$17.14
240.507.00.1	6	Holding down clamp – UP170 cisterns	\$6.91	\$7.61
240.502.00.1	7	Outlet valve dual flush – UP170 cisterns	\$72.61	\$79.88
816.418.00.1	7.1	Outlet valve seal/washer, silicone size 63mm x 32mm	\$6.17	\$6.79
241.167.00.1	8	Outlet valve bracket (set of 9) for (UP & Duofix products)	\$12.06	\$13.26
240.644.00.1	9	Stop valve DR-Brass for UP170	\$22.49	\$24.73
225.133.00.1	10	Transmission block, incl electronic module for UP170 Electronic	\$184.73	\$203.20
240.512.00.1	11	Inner cover/pushplate opening for UP170	\$17.34	\$19.08
240.067.00.1	12	Push plate fastening bolt for UP170 cistern	\$7.79	\$8.56
362.771.00.1	16	Rubber ring seal for UP170, Sigma8 Sigma75 flush bend	\$5.00	\$5.50
362.796.92.1	17	Dust cap – all cisterns	\$4.70	\$5.17
871.736.93.0	18	Flush pipe connector dia 45mm, for all UP cisterns	\$6.47	\$7.12
119.668.00.1	19	Kee seal for flush pipe 52-56mm	\$7.06	\$7.76
240.775.00.1	20	Kee seal for flush pipe 55-60mm	\$8.81	\$9.70
225.057.00.1	24	Flush pipe adapter kit for UP170	\$7.79	\$8.56
225.135.00.1	27	Cable for HyTronic actuator, L=2m	\$41.16	\$45.27
241.149.00.1	28	Power supply unit WC-ctrl electronic	\$129.21	\$142.14
117.041.00.1	31	Extension Set for HyTronic WC, 3.5m	\$52.91	\$58.21

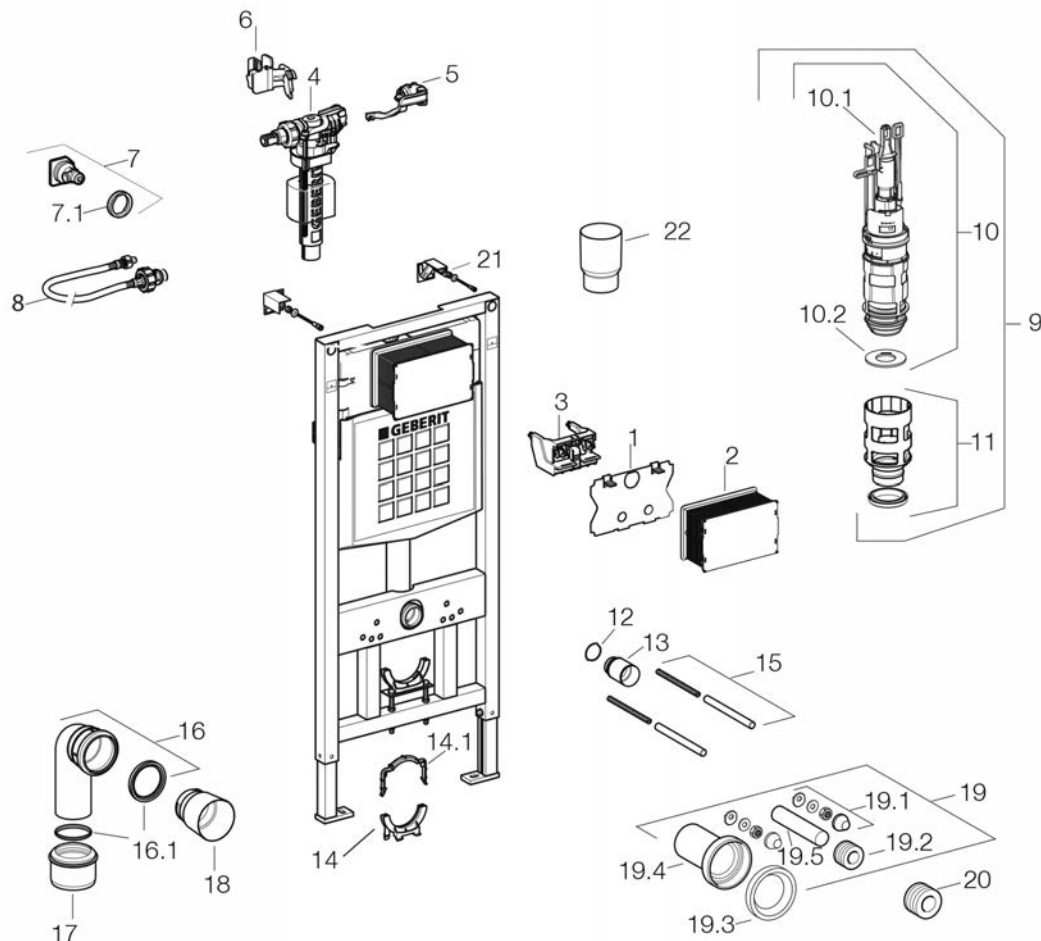
UP170 Pneumatic/Mechanical

Article Number	Description	RRP Ex. GST	RRP Inc. GST
240.511.00.1	Transmission block, dual flush, for UP170 front flush	\$24.99	\$27.48
240.575.00.1	Dual flush pneumatic hose, 3mm x 2m	\$9.70	\$10.67
240.574.00.1	Dual flush pneumatic lifter for 3mm hose	\$30.73	\$33.80



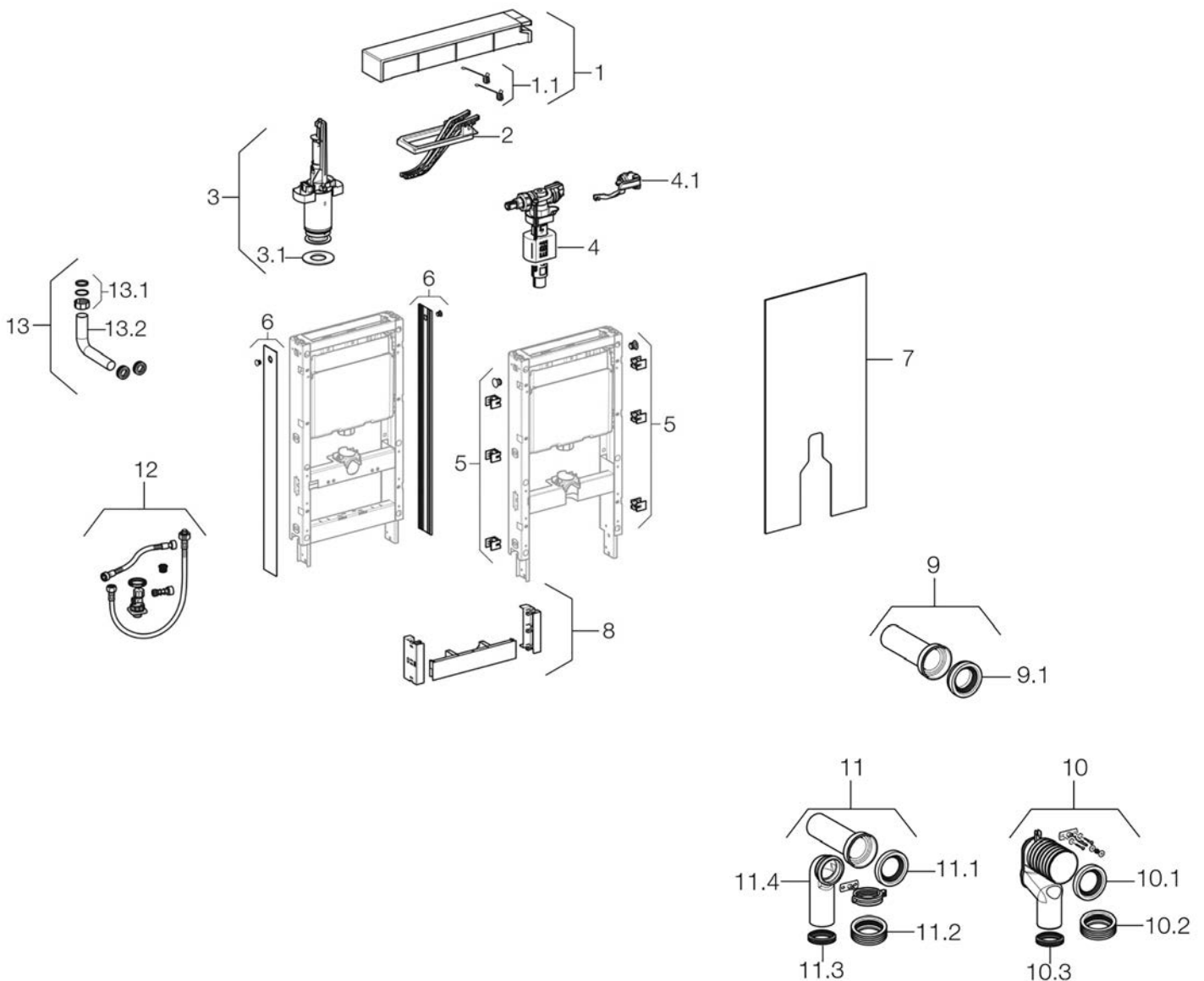
UP300/320 Cistern

Article Number	Pos	Description	RRP Ex. GST	RRP Inc. GST
240.930.00.1	1	Inner cistern cover – UP300/UP700	\$22.79	\$25.06
240.931.00.1	2	Installation duct – UP300/UP700	\$36.60	\$40.26
240.929.00.1	3	Transmission block – UP300	\$35.57	\$39.13
222.011.00.1	4	Impuls typ380 inlet valve with 3/8" nipple short incl accessories	\$58.00	\$63.80
170.360.00.1	5	Impuls typ380 diaphragm and lever	\$5.14	\$5.66
240.923.00.1	6	Clip for inlet valve UP300	\$13.53	\$14.88
240.847.00.1	7	Stop valve DR-Brass, for concealed cisterns	\$52.19	\$57.40
241.854.00.1	8	Flexible hose complete DR-Brass – UP172/UP300/UP320	\$28.71	\$31.59
241.858.00.1	9	Outlet valve DF UP300/320 Concealed Cistern compl	\$87.61	\$96.38
240.622.00.1	10	Outlet valve replacement UP300	\$72.61	\$79.88
816.418.00.1	10.2	Outlet valve seal/washer, silicone size 63mm x 32mm	\$6.17	\$6.79
241.894.00.1	11	UP300/320 outlet valve sleeve 4.5/3L	\$18.93	\$20.82
362.771.00.1	12	Rubber ring seal, for UP170, Sigma8 Sigma75 flush bend	\$5.00	\$5.50
362.796.92.1	13	Protector plug – all UP cisterns	\$4.70	\$5.17
170.369.00.1	14	Lower bracket support for WC outlet bend (all duofix frames)	\$7.50	\$8.25
240.189.00.1	15	Threaded rod for wall-hung WC	\$6.47	\$7.12
366.061.16.1	16	HDPE WC outlet bend 90/90mm	\$28.51	\$31.37
170.365.00.1	16	PE WC connector dia 90mm, without rubber collar	\$19.40	\$21.34
170.364.00.1	16.1	Rubber collar for WC connector 97-107mm	\$16.03	\$17.63
387.282.00.1	16.1	EPDM rubber ring, dia. 90mm	\$6.61	\$7.28
366.820.92.1	18	Protection plug for WC outlet bend 90mm	\$8.67	\$9.54
217.713.46.1	19.1	Cover caps for wall hung pans – satin chrome	\$12.79	\$14.06
119.668.00.1	19.2	Kee seal for flush pipe 52-56mm	\$7.06	\$7.76
240.775.00.1	20	Kee seal for flush pipe 55-60mm	\$8.81	\$9.70
111.815.00.1	21	Duofix brick wall fastening set 135-200mm	\$41.43	\$45.57



Monolith

Article Number	Pos	Description	RRP Ex. GST	RRP Inc. GST
242.386.TA.1	1	Cistern lid dual flush, brushed aluminium, for Monolith WC	\$101.43	\$111.57
242.486.00.1	1.1	Cistern lid spring set, for Monolith WC	\$9.56	\$10.51
242.387.00.1	2	Actuator set dual flush, for Monolith WC	\$7.50	\$8.25
242.389.00.1	3	Outlet valve, for Monolith WC	\$71.14	\$78.26
816.418.00.1	3.1	Outlet valve seal / washer, silicone size 63mmx32mm	\$6.17	\$6.79
222.011.00.1	4	Impuls typ380 inlet valve with 3/8" nipple short incl accessories	\$58.00	\$63.80
170.360.00.1	5	Impuls typ380 diaphragm and lever	\$5.14	\$5.66
242.480.00.1	6	Side & front cover installation set, for Monolith WC	\$14.40	\$15.84
242.385.TA.1	7	Side cover set, brushed aluminium, for Monolith WC	\$86.73	\$95.40
242.382.SF.1	7	Front cover glass, white, for Monolith BTW WC	\$391.76	\$430.93
242.382.SG.1	7	Front cover glass, black, for Monolith BTW WC	\$391.76	\$430.93
242.391.94.1	8	Floor base complete, for Monolith WC	\$21.90	\$24.09
131.083.16.1	9	P trap connector with collar 90mm – Monolith	\$37.93	\$41.72
131.081.11.1	10	Waste connection set complete Monolith BTW	\$51.01	\$56.12
131.082.16.1	11	S Bend connection set 90mm complete – Monolith	\$75.86	\$83.44
131.073.00.1	12	Bottom water connection set complete Monolith	\$87.03	\$95.73
242.390.11.1	13	Flushbend connection set complete, for Monolith WC	\$27.34	\$30.08

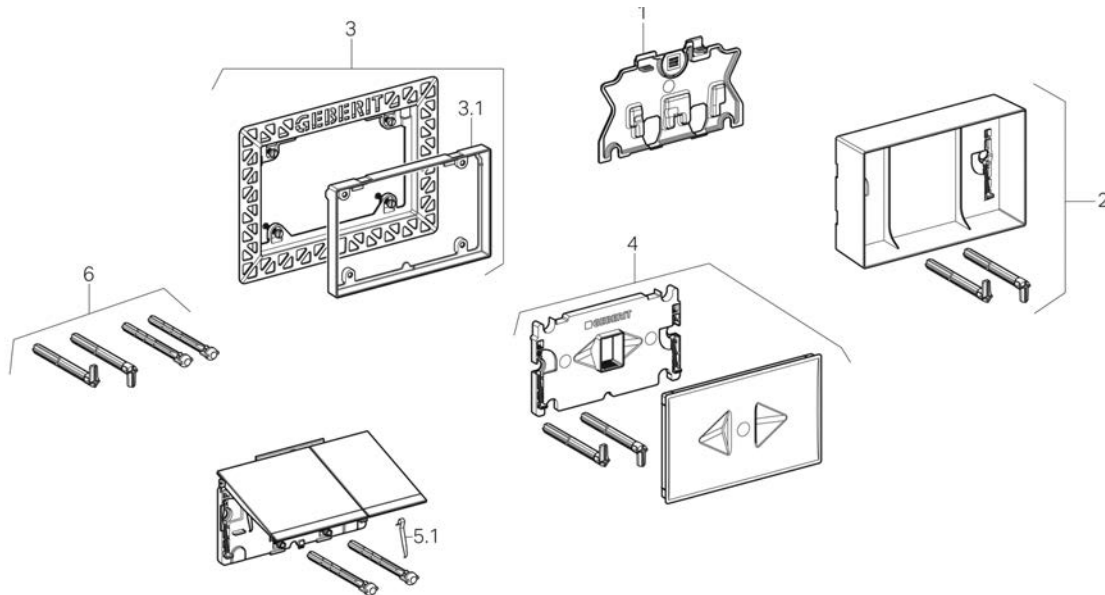


Spare Parts Buttons



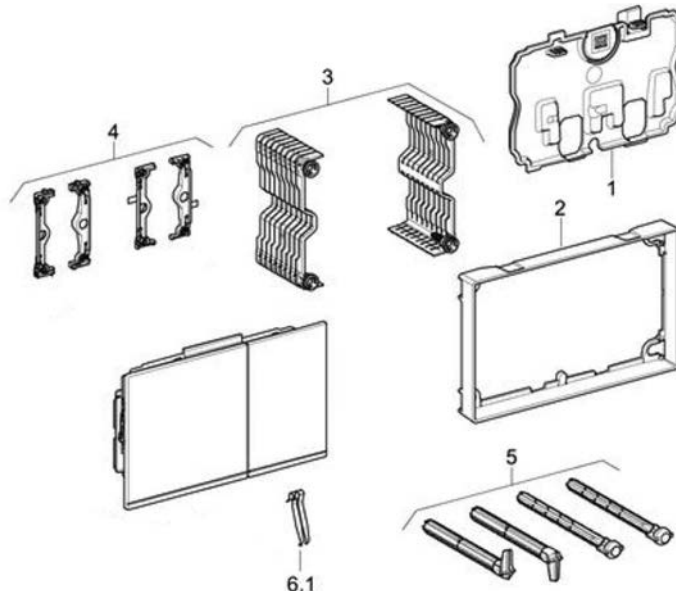
Sigma60 (2014)

Article Number	Pos	Description	RRP Ex. GST	RRP Inc. GST
242.583.00.1	1	Inner cover, for Sigma60 (2014)	\$27.14	\$29.86
242.576.00.1	2	Tiling template, for Sigma60 (2014)	\$24.00	\$26.40
242.622.00.1	3	Mounting frame complete with adjustment frame, for Sigma60 (2014), for Sigma cistern 75mm	\$51.43	\$56.57
242.651.00.1	3.1	Adjustment frame, for Sigma60 (2014), for Sigma cistern 75mm	\$36.29	\$39.91
242.579.00.1	4	Tiling template, for adjustment frame, for Sigma60 (2014)	\$35.71	\$39.29
813.514.00.1	5.1	Push plate spring, for Sigma60 (2014 & 2016)	\$2.64	\$2.91
242.588.00.1	6	Rod set for Sigma60 (2016)	\$21.43	\$23.57



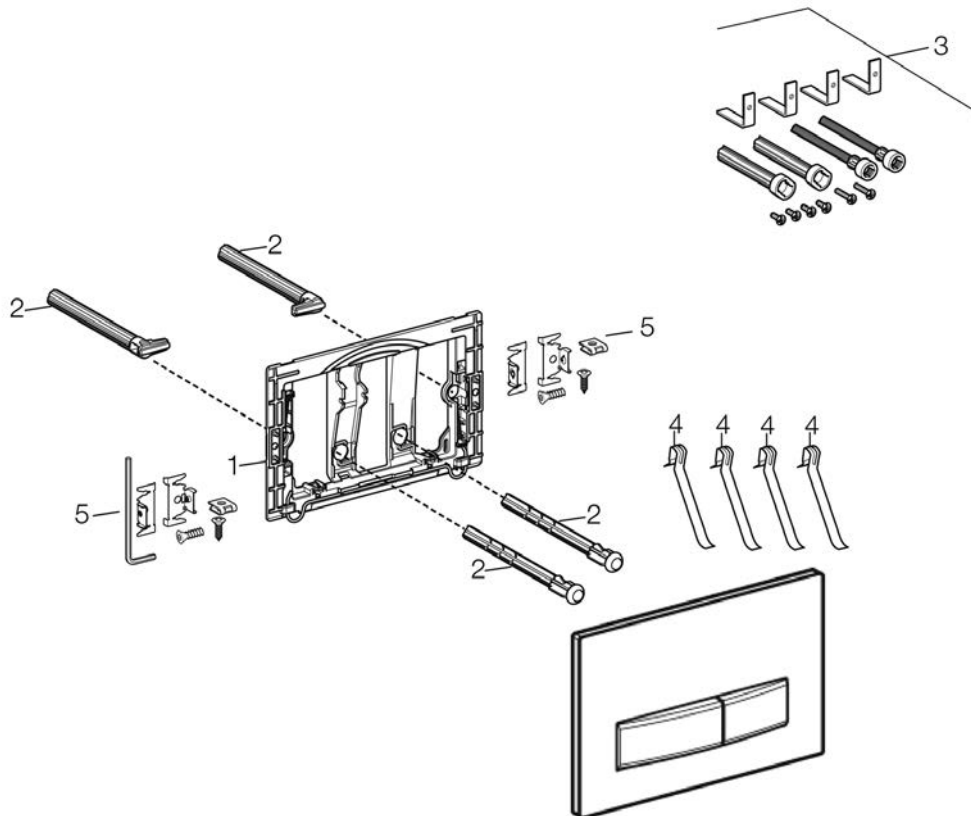
Sigma60 (2016)

Article Number	Pos	Description	RRP Ex. GST	RRP Inc. GST
243.423.00.1	1	Inner cover Sigma60 (2016)	\$27.14	\$29.86
243.413.00.1	2	Mounting frame Sigma60 (2016)	\$51.43	\$56.57
243.414.00.1	3	Distance element Sigma60 (2016) set-2	\$17.14	\$18.86
243.424.00.1	4	Adapter Set Sigma60 (2016)	\$15.71	\$17.29
242.588.00.1	5	Actuator rod set for Sigma60	\$21.43	\$23.57
813.514.00.1	6.1	Push plate spring for Sigma60 (2014 & 2016)	\$2.64	\$2.91



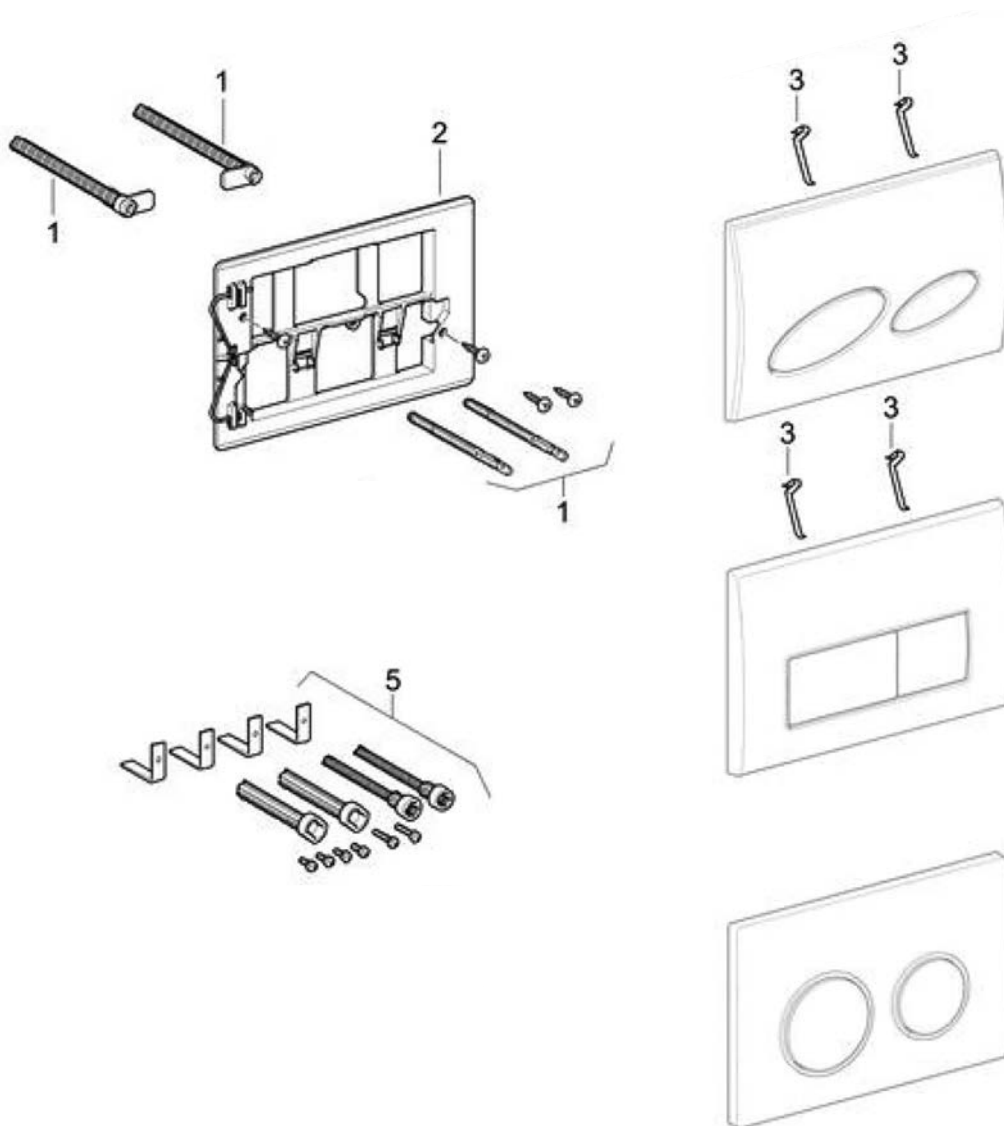
Sigma

Article Number	Pos	Description	RRP Ex. GST	RRP Inc. GST
241.876.00.1	1	Mounting frame, for tool-less installation – Sigma plates	\$25.29	\$27.81
241.874.00.1	2	Actuator rod set, for tool-less installation – Sigma plates	\$6.17	\$6.79
240.938.00.1	3	Extension set, for Danceline/Sigma actuators	\$36.31	\$39.95
813.514.00.1	4	Push plate spring for Sigma plates	\$2.64	\$2.91

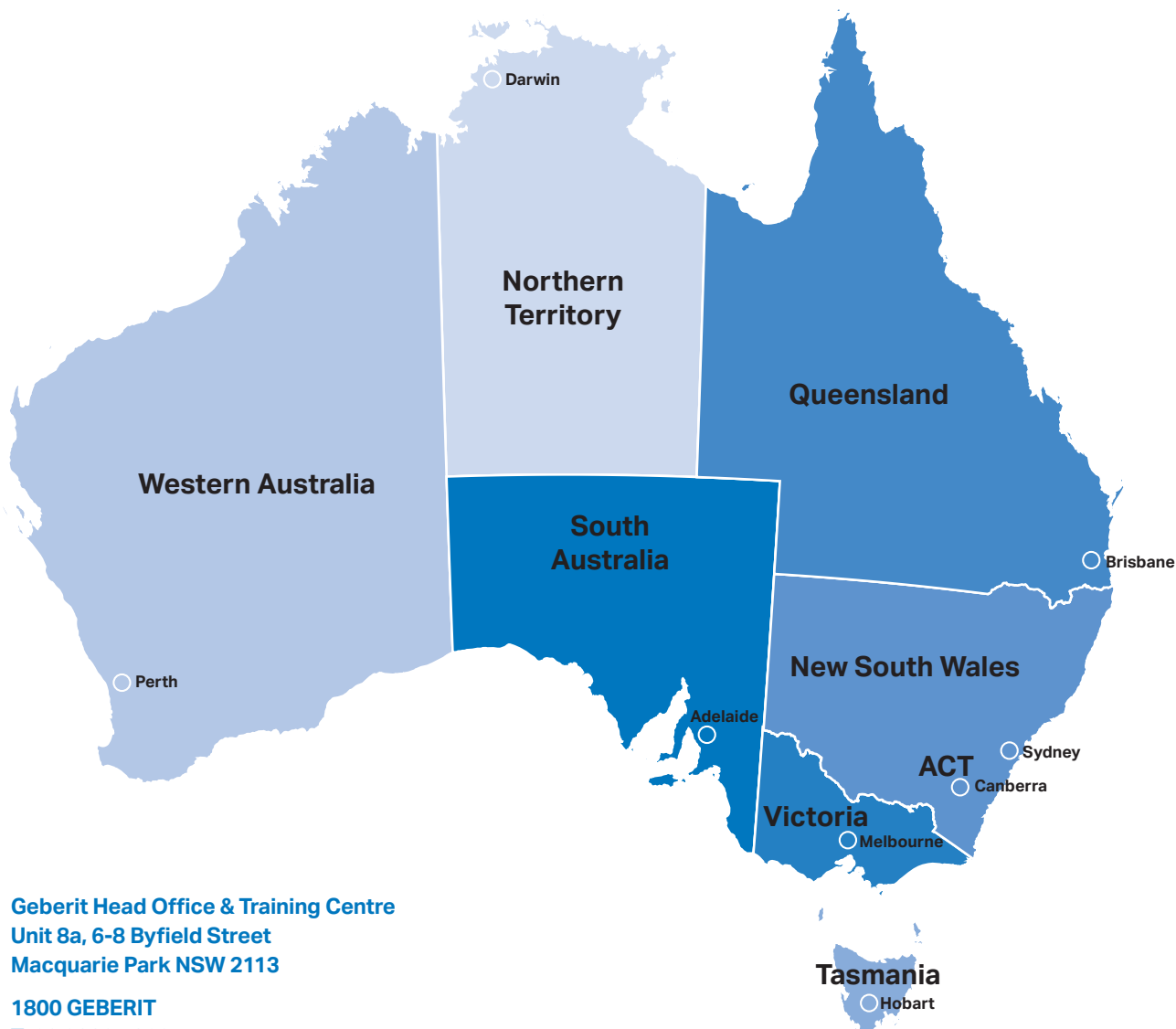


Kappa

Article Number	Pos	Description	RRP Ex. GST	RRP Inc. GST
240.639.00.1	1	Lever set for Kappa cisterns	\$7.79	\$8.56
240.646.00.1	2	Mounting frame, for Artline/Kappa push plates	\$44.99	\$49.48
241.295.00.1	3	Spring for Kappa plates set-10	\$2.80	\$3.08
240.058.00.1	5	Push plate extension set – Twinline/Highline/Kappa/Delta plates	\$20.43	\$22.47



Geberit Support



Geberit Head Office & Training Centre
Unit 8a, 6-8 Byfield Street
Macquarie Park NSW 2113

1800 GEBERIT
T 02 9889 7866
F 02 9889 7855

sales.au@geberit.com
→ geberit.com.au

NSW, ACT **Alison Jeffrey** – State Manager
M: 0432 494 318
alison.jeffrey@geberit.com

VIC, TAS **Ben Wilson** – State Manager
M: 0402 255 508
benjamin.wilson@geberit.com

QLD, NT: **Ron Doak** – State Manager
M: 0403 725 179
ron.doak@geberit.com

WA, SA: **Guy Palmeri** – State Manager
M: 0432 095 242
guy.palmeri@geberit.com

General Conditions

Valid from 1st January 2017. Prices may change at any time without notice.

All prices are in AUD, F.I.S and apply to supplies in NSW, ACT, QLD, VIC and SA only.

The information provided contains general descriptions of technical options available, which do not always apply to individual cases. The required features should therefore be individually clarified in accordance with individual situations at the time of ordering. All dimensions in mm (10mm = 1 cm). This publication GEAU 31/04/17 supersedes all previous publications. Copyright Geberit Pty Ltd, April 2017.