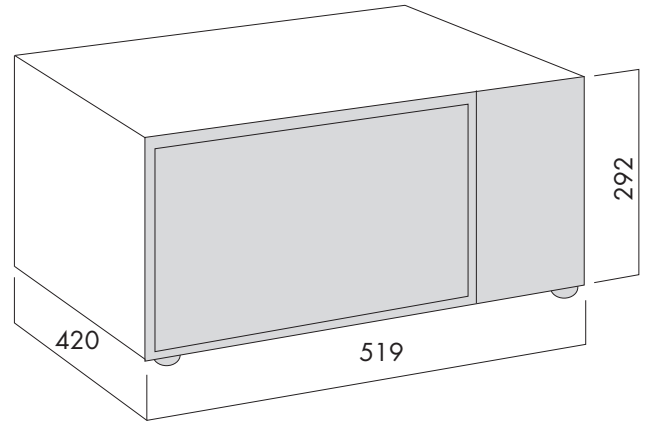


SA34MX

34L FREESTANDING MICROWAVE WITH GRILL



EAN 8017709237394

| | | |
|----------------------|---|----------|
| Dimensions | 519mmW x 420mmD x 314mmH | |
| Finish | Stainless steel | |
| Display | digital LED display | |
| Capacity | 34L | |
| Cavity Type | Stainless steel | |
| Turntable | 314mm | |
| Power levels | 5 | |
| Microwave power | 1000W | |
| Grill Power | 1100W | |
| Auto cook functions | 10 | |
| Other Functions | Pizza | Chicken |
| | Vegetables | Potato |
| | Pasta | Fish |
| | Cake | Beverage |
| | Meat | Popcorn |
| Defrost | by time or weight | |
| Lighting | 1 x LED | |
| Control panel | electronic button, dial | |
| Supplied Accessories | Glass Turntable | |
| Safety | Thermal protection Child safety lock | |
| Power | 220-240V, 50Hz 2100W 10A 3 pin plug | |
| Warranty | two years parts and labour | |

MICROWAVE COOKING

5 power levels (maximum 100% plus 4 lower levels). The microwave will automatically operate on 100% power of cooking time selected without power level.

PROGRAMMED COOKING

There are five convenient food groups with automatic programming for microwave energy, convection element selection and time.

GRILL

Place food to be grilled on metal rack; there should be little need to turn the food as the highly-reflective stainless steel walls ensure overall cooking.

DEFROST

Defrost by either weight (from 200g to 3kg) or time. In either case, simply use the scrolling dial to set time or weight.

CHILD SAFETY LOCK

Electronically the control can be shut down to prevent careless access to any functions particularly by children.



ID200629