

Product

- Purist kitchen mixer

Kohler Code

14597A-4-*



Note: Polished Chrome finish shown

Included Components

- Braided stainless steel hoses

Features

- Swivel spout easily reaches over 2 sinks
- Water saving detent ceramic disc valve
- Choice of 5 colours
- Metal body construction
- Suitable for mains pressure
- KOHLER finishes resist tarnishing and corrosion



WELS RATING
(5 Star 6.0 Litres / min)

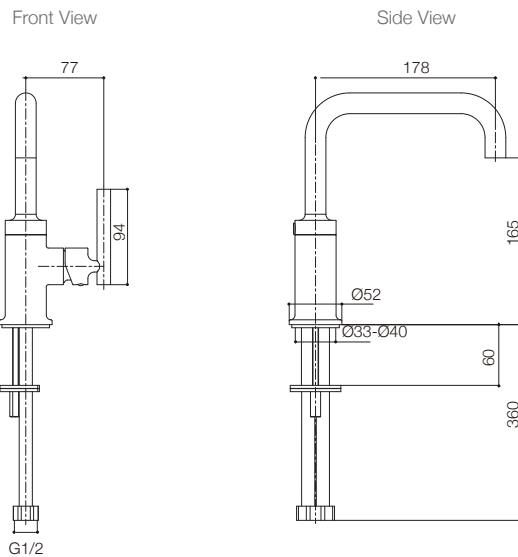
PVD Colour Options (Colour swatches indicative only)

-  14597A-4-CP - Polished Chrome
-  14597A-4-BV - Vibrant Brushed Bronze
-  14597A-4-BN - Vibrant Brushed Nickel
-  14597A-4-PGD - Vibrant Moderne Polished Gold
-  14597A-4-RGD - Vibrant Rose Gold

Related Products

- Purist accessories
- Purist tapware

Technical Details



Installation Notes:

- Optimum working pressure 300-500 kPa.
- Maximum hydrostatic pressure 800kPa. (This pressure may be exceeded only under test conditions).
- Maximum temperature 80°C.
- Maximum bench thickness is 60mm.
- Where normal working pressure exceeds the maximum, pressure limiting valves should be installed.
- Inline filters should be used to protect tapware from debris that may be present within the plumbing.