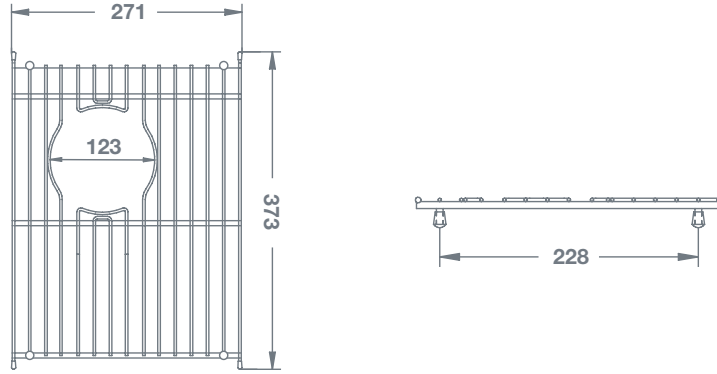


Grid Type 5



		Dimensions			
Grid Type 5	FT0500010	(mm)	271	373	26



Features include:

- Added protection, designed specifically for Shaws sinks.
- Doubles as a draining rack.
- Rigid and durable 304 grade stainless steel sink grid.
- Non-slip black rubber feet.
- Suits Edgworth sink (right bowl).
- 12 month warranty. Visit Shaws website for more details.