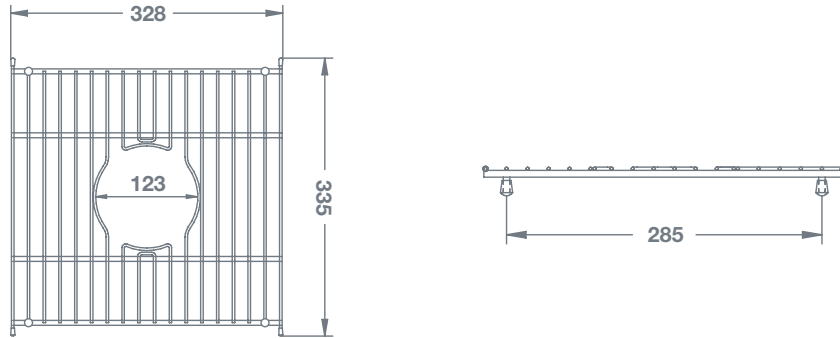


Grid Type 4



| | | Dimensions | | | |
|-------------|-----------|------------|-----|-----|----|
| Grid Type 4 | FT0400010 | (mm) | 328 | 335 | 26 |



Features include:

- Added protection, designed specifically for Shaws sinks.
- Doubles as a draining rack.
- Rigid and durable 304 grade stainless steel sink grid.
- Non-slip black rubber feet.
- Suits Ribchester 800, Double Bowl 800, Shaker Double 800, Shaker Double 900, Lancaster 800 Double Bowl and Square sinks.
- 12 month warranty. Visit Shaws website for more details.