

BSK892330M

60cm SteamPro Steam Oven with SousVide function

Features

- An Integrated SousVide cooking system
- Touch on glass controls
- Humidity Sensor
- SenseCook food sensor
- Healthy steam cooking
- OptiFlex™ telescopic runners
- Steam Cleaning Program
- MaxiKlasse™ - Extra large internal oven cavity
- MaxiView™ enlarged window
- IsoFront™ - A genuine cooler door
- SoftMotion™ hinges
- FloodLight™ system
- Anti-fingerprint stainless steel
- Fully removable water drawer

Included accessories:

dripping pan, cake tray, patisserie, set pan

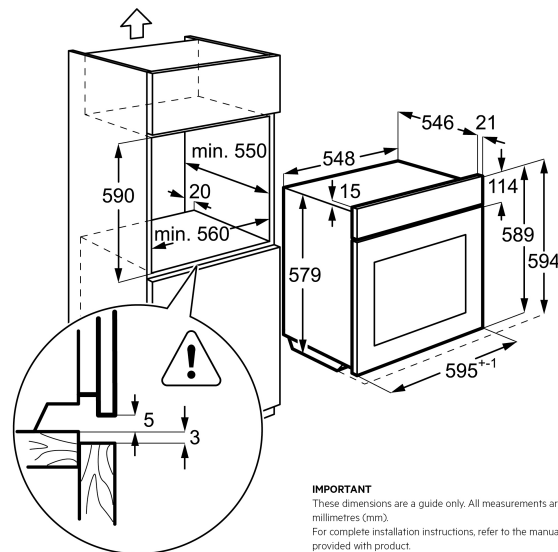


Product Dimension

Total height (mm) - 594, Total width (mm) - 595, Total depth (mm) - 567, CM Tech data - 60cm

Flush fit cut out

Flush fit cut out height (mm) - 600, Flush fit cut out width (mm) - 600, Flush fit cut out depth (mm) - 580



IMPORTANT
These dimensions are a guide only. All measurements are in millimetres (mm).
For complete installation instructions, refer to the manual provided with product.