

**Product**

- Stance® Slim hob mount bath spout

**Kohler Code**

77189T-CP

**Included Components**

- No extra components included

**Features**

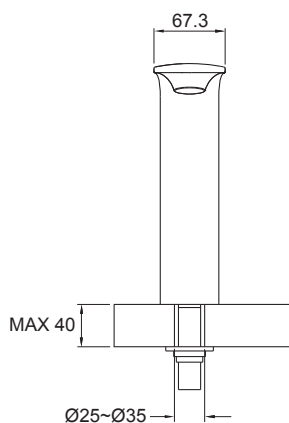
- Polished chrome
- Metal construction
- Suitable for mains pressure
- KOHLER finishes resist tarnishing and corrosion

**Related Products**

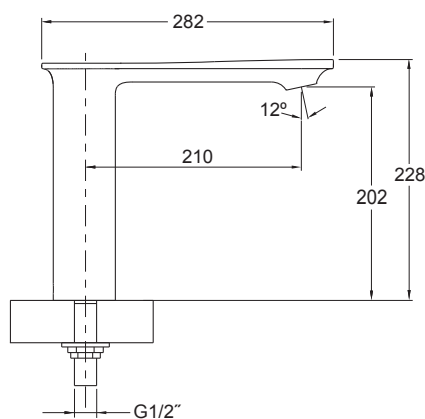
- Stance® Slim tapware

**Technical Details**

Front View



Side View

**Installation Notes:**

- G $\frac{1}{2}$ " male thread.
- Maximum bench thickness is 40mm.
- Optimum working pressure 300-500 kPa.
- Inline filters should be used to protect tapware from debris that may be present within the plumbing.