

**Product**

- Composed® single lever basin mixer - super tall

**Kohler Code**

73054T-7ND\*



NOTE: Polished Chrome version shown

**Included Components**

- Braided stainless steel hoses

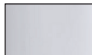
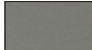
**Features**

- Polished Chrome or PVD Titanium finish
- Metal construction
- Ceramic disc cartridge
- Suitable for mains pressure
- KOHLER finishes resist tarnishing and corrosion



WELS RATING  
(5 Star 6.0 Litres / min)

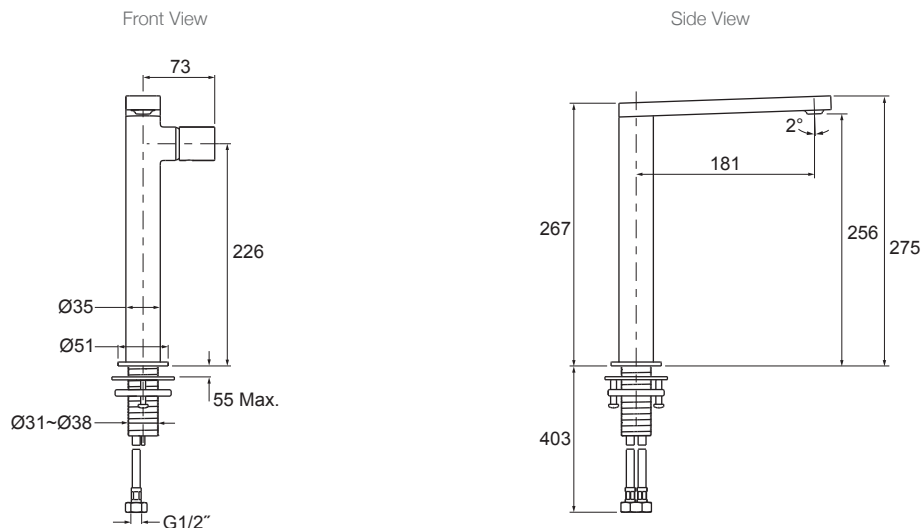
**Finish Options** (Colour swatches indicative only)

-  73054T-7ND-CP - Polished Chrome
-  73054T-7ND-TT - PVD Titanium

**Related Products**

- Composed accessories
- Composed tapware

**Technical Details**



G1/2" is equal to BSP1/2"

**Installation Notes:**

- Optimum working pressure 300-500 kPa.
- Maximum hydrostatic pressure 800 kPa (This pressure may be exceeded only under test conditions).
- Maximum temperature 80°C.
- Maximum bench thickness is 55mm.
- Where normal working pressure exceeds the maximum, pressure limiting valves should be installed.
- Inline filters should be used to protect tapware from debris that may be present within the plumbing.