
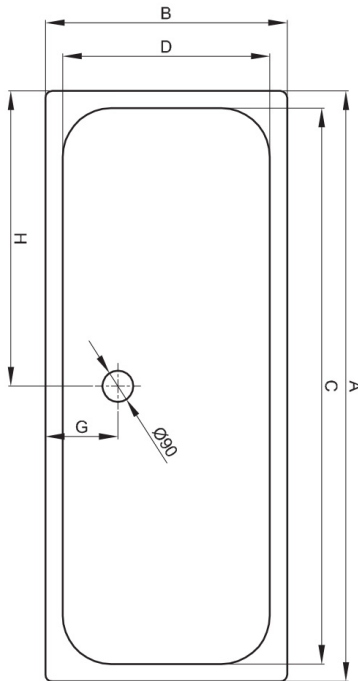


BETTE

BETTE RECTANGULAR 1700 SHOWER TRAY

Product Image							Technical Specification		
									
dimension	A	B	C	D	G	H	article no.	drain	
170 x 90 x 3,5 cm	1700	900	1600	800	210	850	5998	Ø 90	

Description
<p>Bette Rectangular 1700 Shower Tray</p> <p>B5998B</p>

Additional Information
<p>Available options:</p> <p>9WA003C 80 to 50mm Waste Set</p> <ul style="list-style-type: none"> • Includes Tiling Lip • Waste Not Included <p>Important Installation Note: Clearance required under shower tray to fit Bette or other shower waste will vary depending on installation – please see detailed installation instructions at www.argentaust.com.au or call the Argent Tech Hotline on 1800 356 717</p>

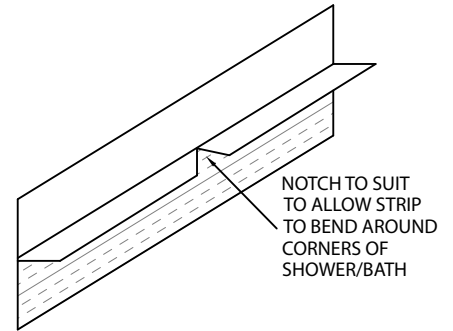


SHOWER TRAY / BATH INSTALLATION INSTRUCTIONS

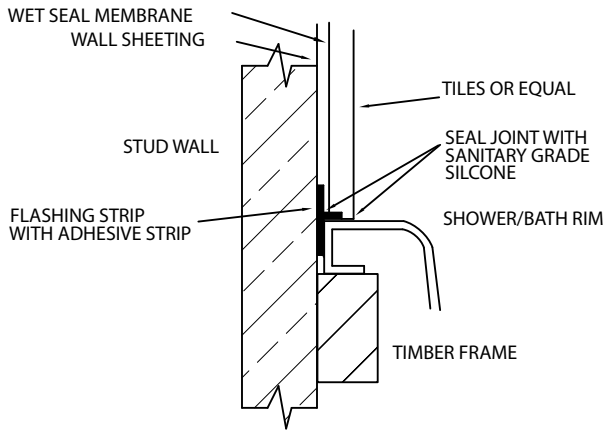
FOR INFORMATION ONLY NOT TO SCALE



FLASHING STRIP TO LENGTH WITH ADHESIVE STRIP

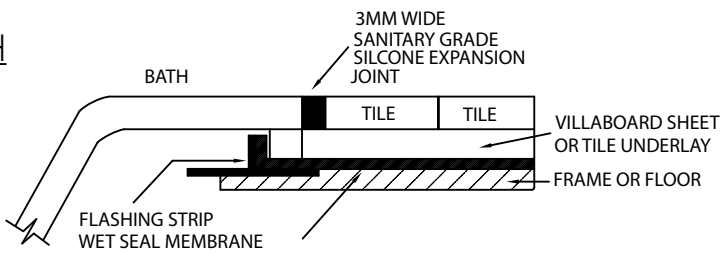


BATH / SHOWER TRAY



- 1 CUT FLASHING STRIP AND FOLD AROUND THE CORNERS OF THE BATH/ SHOWER TRAY
- 2 SEAL BETWEEN FLASHING STRIP AND BATH/SHOWER TRAY WITH A SANITARY SILICONE SEALANT
- 3 SEAL BETWEEN FLASHING STRIP AND WALL SHEETING WITH A SANITARY SILICONE SEALANT
- 4 SEAL BETWEEN WALL SHEET AND TILES WITH WATER PROOF MEMBRANE
- 5 SEAL JOINT BETWEEN WALL FINISH EG TILES AND TOP OF BATH/SHOWER WITH A SANITARY SILICONE SEALANT
- 6 RECOMMENDED SANITARY SILICONE SEALANT DOW CORNING OR EQUAL

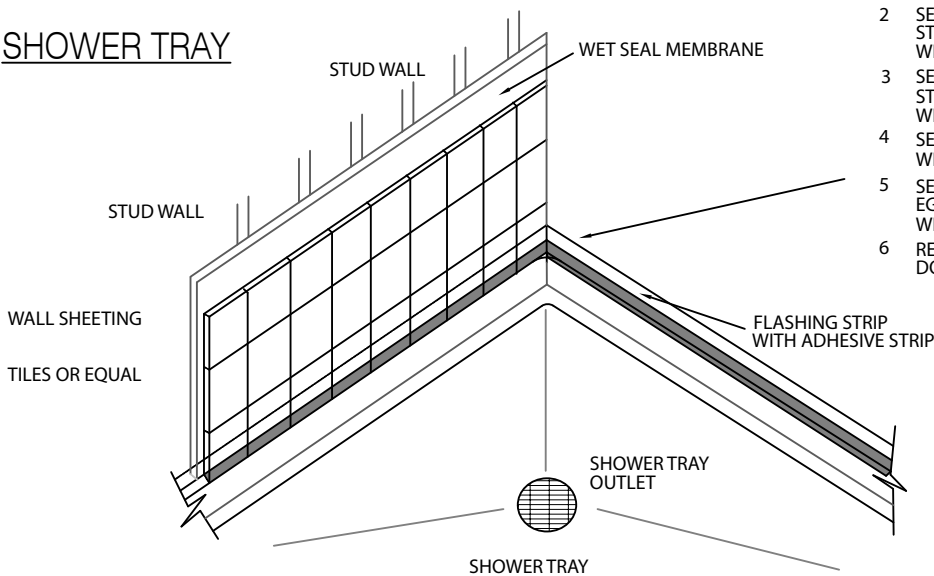
BATH



ISLAND OR FLUSH MOUNTING FOR BATH

- 1 PROVIDE FLASHING STRIP
- 2 NOTCH TILING STRIP AND FOLD TO SUIT CORNERS OF THE BATH
- 3 PROVIDE SUITABLE WET SEAL MEMBRANE BETWEEN THE FLOOR AND FLOOR FINISH
- 4 PROVIDE VILLABOARD OR EQUAL TO ACCEPT TILE FINISH
- 5 SEAL AROUND THE BATH AND VILLABOARD WITH SANITARY GRADE SILICONE
- 6 SEAL AROUND THE BATH AND TILES WITH SANITARY GRADE SILICONE

SHOWER TRAY

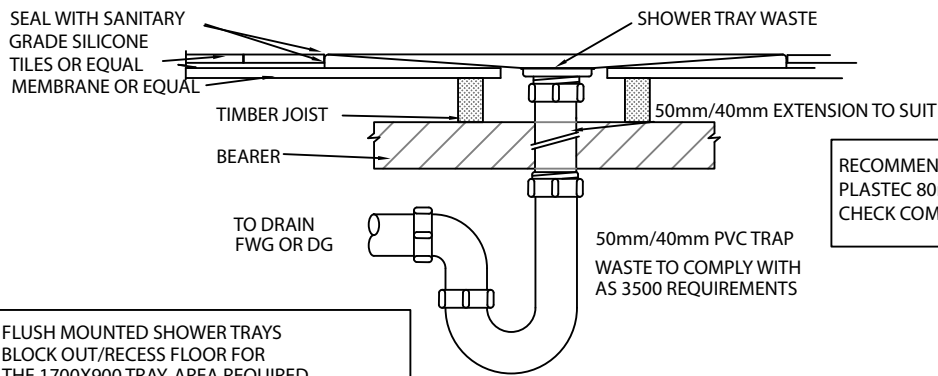


- 1 CUT FLASHING STRIP AND FOLD AROUND THE CORNERS OF THE BATH/ SHOWER TRAY
- 2 SEAL BETWEEN FLASHING STRIP AND BATH/SHOWER TRAY WITH A SANITARY SILICONE SEALANT
- 3 SEAL BETWEEN FLASHING STRIP AND WALL SHEETING WITH A SANITARY SILICONE SEALANT
- 4 SEAL BETWEEN WALL SHEET AND TILES WITH WATER PROOF MEMBRANE
- 5 SEAL JOINT BETWEEN WALL FINISH EG TILES AND TOP OF BATH/SHOWER WITH A SANITARY SILICONE SEALANT
- 6 RECOMMENDED SANITARY SILICONE SEALANT DOW CORNING OR EQUAL

WATER PROOFING TO COMPLY WITH BCA/BSA &/OR LOCAL AUTHORITY REQUIREMENTS

SHOWER TRAY WASTE INSTALLATION OPTIONS

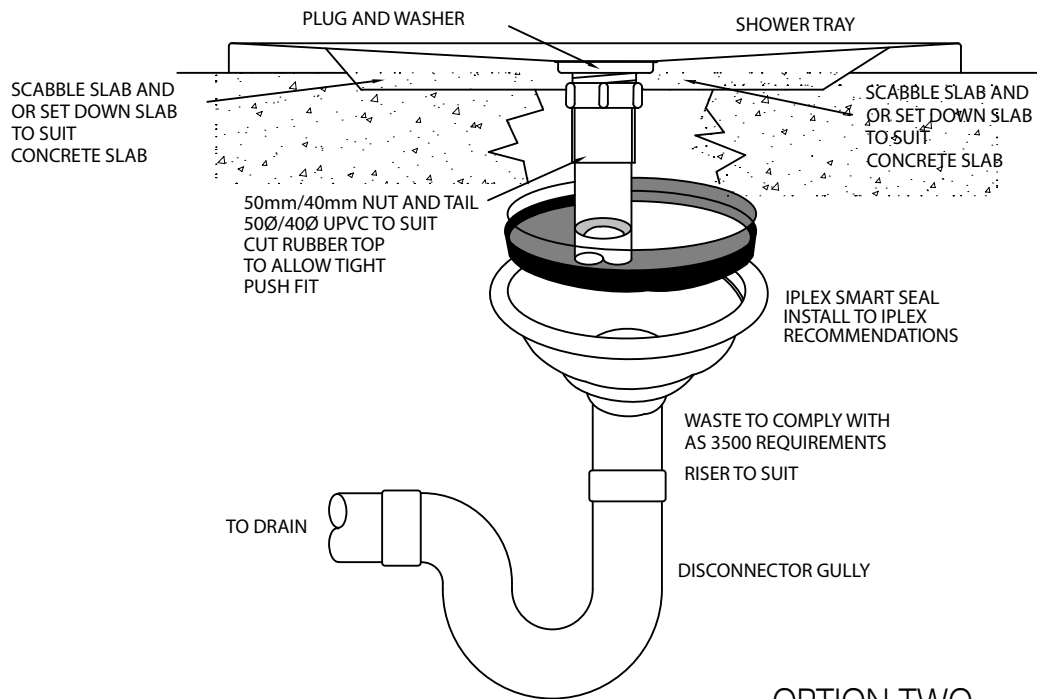
FOR INFORMATION ONLY NOT TO SCALE



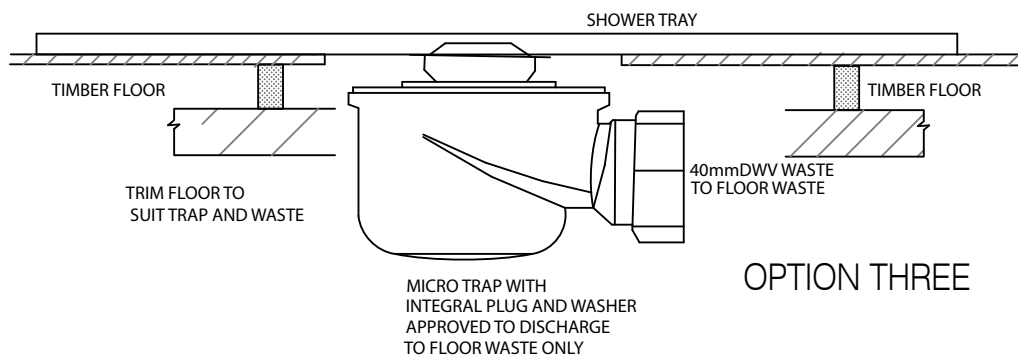
RECOMMENDED SHOWER TRAY WASTE
PLASTEC 80mm X 50mm ID# 11793 OR EQUAL
CHECK COMPLIANCE WITH LOCAL AUTHORITIES

FLUSH MOUNTED SHOWER TRAYS
BLOCK OUT/RECESS FLOOR FOR
THE 1700X900 TRAY, AREA REQUIRED
800x800x40MM IN DEPTH

OPTION ONE



OPTION TWO



OPTION THREE

Tiling Lip Installation Instructions

Australian Standard 2023/1995 Section 1.5.4 specifies, "A built-in bath shall be provided with a tiling flange or bead not less than 10mm in height."

Australia Standard AS 3470-1989 Section 3.6 Preformed shower bases, states, "Preformed shower bases shall be supported to prevent distortion or cracking, and shall be sufficiently recessed into the wall to allow water-resistant materials to pass down inside the perimeter rebate over the upstands of the shower base."

This high impact rigid PVC modified grade material will allow for the bath/shower tray to be flashed along the full length and ends to conform to the standard.

This material should be cut to the required lengths plus 50mm, and mitered at the corners allowing a 50mm overlap that must be folded and secured to the adjoining piece to form a continuous element. The edge of the bath/shower tray and also the area where the flashing material and the rim of the bath/shower tray meet should be filled with a mould resistant silicone bathroom sealant.

Approved wet seal membrane should be applied in-between the wall sheeting and the tiles.

