

WALL1650SRH



EVOLUTIONARY

FAVORED DESIGN ENHANCED IN A SPACE SAVING FORM. THIS MODERN STYLE BATHTUB ALLOWS ONE-SIDED WALL CONNECTION. PRETTIFY YOUR BATHROOM EVEN IF THERE IS ONLY MINIMUM SPACE.

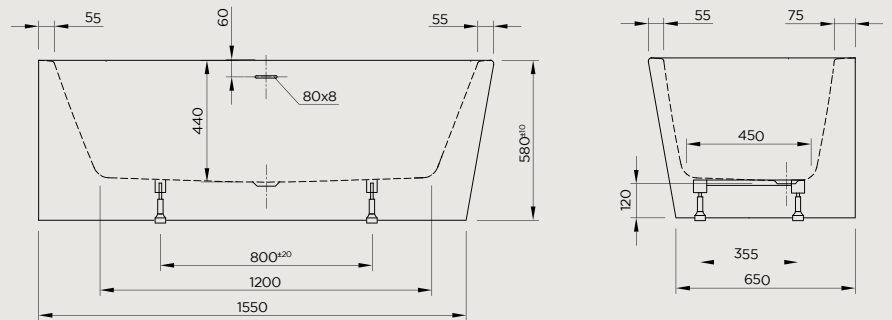
SPECS

MODEL CODE	WALL1650SRH	WALL1650SRHMATTWH
COLOUR	<input type="radio"/> Gloss white	<input type="radio"/> Matt white
DIMENSIONS	1,650 X 750 X 580 mm	
WEIGHT	39 kg	
VOLUME	200 litres	
BATH WASTE KIT		
GLOSS WHITE BATH	Factory fitted slot over flow system with click clack waste, in chrome finish	
MATT WHITE BATH	Factory fitted slot over flow system with click clack waste, in matt white finish	

SIDE VIEW



TECHNICAL DRAWING



TOP VIEW

