

ALTA

Single Lever Mixer Tap

BLANCO



Model Code

ALTA

Description

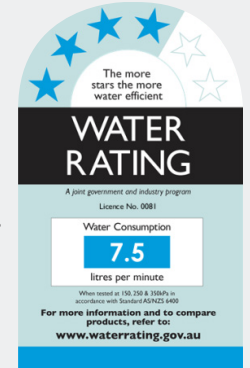
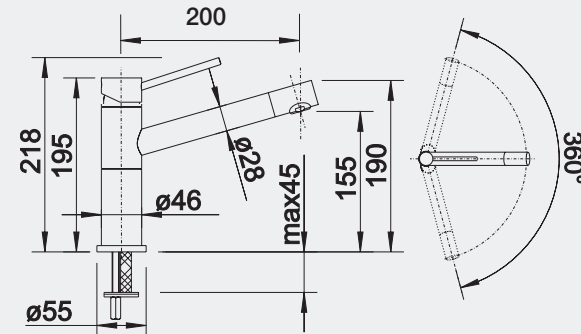
Single lever mixer tap

Warranty

10 year warranty



Specifications



Features

Benefits

European Design and Engineering

Elegant chrome finish that greatly impresses and which will suit all types of kitchen sinks, products and worktops. It is a durable design that is easily cleaned and maintenance free.

360° Swivel Spout

Allows better access to the sink for washing large items.

Swivel Ended Spout

The front part of the spout can be turned, making it easier to fill large bottles.

High Clearance Outlet

Giving greater ability to clean larger items in confined space.

Ceramic Disk Cartridge

Durable and long lasting ceramic disk technology.

Stabilising Plate

Increases the stability of the tap when fitted in stainless steel sinks.

Material:	Chrome finish - DR brass body
Recommended Pressure:	300KPa
	Suitable for main or balanced water pressure
Dimensions:	200 mm Spout length
	155 mm Spout Height
	218mm Tap Height
Mounting Hole;	Ø35 mm tap hole required
Standard Inclusions:	Australian standard flexible hose and fittings
Inclusions:	Stabilising plate to increase stability of the tap when fitted in stainless steel sinks
Warranty:	10 years

Note: Measurements are within 2-3mm of factory tolerance. It is advisable to check dimensions of physical product when measuring for installations and before doing any cut outs.

*Due to continual product development the information provided is not final and may be subject to change