

# PLATINUM FRONT LOAD WASHER

AFNE9BSS  
10KG



MADE IN AMERICA, BUILT TO LAST SINCE 1908



# PROVEN PERFORMANCE SINCE 1908.



From Australian mines and oil rigs to the US Army, Speed Queen has over a century of experience washing in the harshest environments around the world, earning a reputation for reliability and performance.

Now available the toughest front load washer in its class, you can get Speed Queen's uncompromising commercial quality performance at home.

For the perfect pairing, match with Speed Queen's high capacity electric or gas heated dryer.



FRONT LOADER WASHER AFNE9BSS 10KG (PLATINUM)

# EVERY DAY, EVERY CYCLE, SPEED QUEEN PERFORMS.



Manufactured by the world's number one commercial laundry company, every Speed Queen model is tested to its limits and beyond, and benchmarked against the competition to ensure it outperforms and outlasts the rest.

While the average life expectancy of a domestic washer is 11 years (based on eight loads per week<sup>1</sup>), Speed Queen machines are designed and tested to handle 25 loads per week. That's 1,300 cycles per year! This means washing eight loads per week you get a machine that can last 25 years of home use.



## DURABLE

Built to last up to 25 Years in the home or 10,400 cycles.  
Components include heavy-duty door hinge, heavy-duty variable induction drive system, metal trunnion, bearing and driveshaft, with heavy-duty seal and bearing assembly and aluminium pulley.

---

## TRUSTED

Over 100 years of experience manufacturing laundry equipment.

---

## QUALITY

Commercial grade industrial motor with out-of-balance logic and heavy-duty commercial shock absorbers for strength and durability.  
Stainless Steel inner & outer wash bowl.

---

## EFFICIENCY

Dynamic balancing, Incredible 440 G-force and 1,200rpm spin speed for optimum water extraction, quieter operation and a spray rinse for outstanding results.

---

## CONVENIENT

Cycles to suit your lifestyle, Quick Wash, Light, just 24 minutes.

---

**MATCHING PLATINUM FRONT CONTROL DRYER:  
ADEE9BSS (ELECTRIC) OR ADGE9BSS (GAS)**



FRONT LOADER WASHER AFNE9BSS 10KG (PLATINUM)

# THE TOUGHEST CHOICE

## APPEARANCE

FINISH	Stainless Steel
LOCATION OF CONTROLS	Front

## MATERIALS

OUTER WASH TUB	Stainless Steel
CABINET	Stainless Steel
WASH TUB	Stainless Steel
WASHER DOOR HINGE	Stainless Steel
INNOVATIVE DESIGN SERPENTINE BAFFLES	Yes

## MEASUREMENTS

DIMENSIONS (H X W X D)	1,027 x 683 x 704 mm
SHIPPING WEIGHT (APPROX)	122 kg
DRUM CAPACITY	10 kg/96.8 L
DOOR OPENING	180 Degrees

## POWER

ELECTRICAL REQUIREMENTS	240V / 50Hz AC / 1 Ph
BREAKER SIZE	10 Amp
MOTOR HORSEPOWER	1 HP

## OPERATION

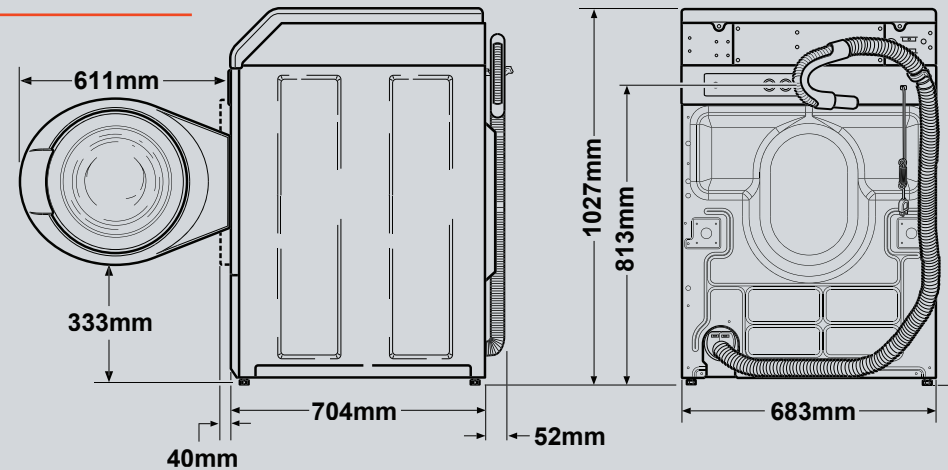
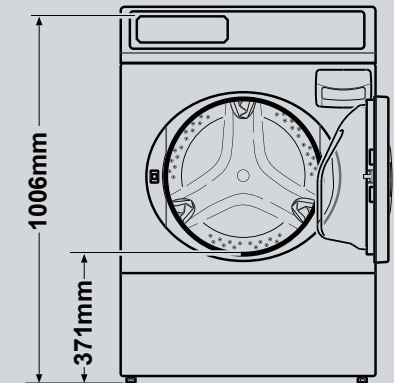
SPIN SPEED	1200 RPM
WATER EXTRACTION SPEED	440 G-force
WATER TEMPERATURE SELECTIONS	4
WASH CYCLES	10
END-OF-CYCLE BUZZER	Yes
CONTROL LOCK	Yes
SPIN SPEED SELECTIONS	4
SOIL LEVEL SELECTOR	4
VARIABLE SPEED INDUCTION MOTOR	Yes
4 COMPARTMENT SOLUTION DISPENSER	Yes
EXTRA OPTIONS	Pre-wash, Soak, Additional rinses, Delay Start

## WATER CONSUMPTION

HIGH EFFICIENCY CYCLE (AVERAGE)	126 L
---------------------------------	-------

## AGENCY APPROVALS

WELS	3 Star
E3	2.5 Star





# FRONT LOAD WARRANTY

**5 YEARS** ON ALL PARTS AND LABOUR\*

**LIFETIME** PARTS WARRANTY ON THE STAINLESS STEEL WASH TUB AND OUTER TUB AGAINST RUST AND CORROSION\*

\* See Speed Queen Warranty for details.

<sup>1</sup> Based on DOE cycle averages and replacement data supplied by Appliance Magazine.

For the most accurate information, the installation guide should be used for all design and construction purposes. Due to continuous product improvements, design and specifications are subject to change without notice. The quality management system of Alliance Laundry Systems' Ripon facility has been registered to ISO 9001:2000.



FRONT LOADER WASHER AFNE9BSS 10KG (PLATINUM)

**TO LEARN MORE ABOUT SPEED QUEEN'S  
CENTURY OF UNCOMPROMISING  
PERFORMANCE AND RELIABILITY,  
VISIT [SPEEDQUEEN.COM.AU](https://www.speedqueen.com.au) OR  
CALL 1300 WASHER (1300 927 437) TODAY.**



### **ACT, NSW**

F.L. Costello & Co Sydney  
Unit 8/2 Holker St, Newington, NSW 2127  
Telephone (02) 9748 2155  
[www.speedqueenlaundry.com.au](http://www.speedqueenlaundry.com.au)  
Email [admin@speedqueenlaundry.com.au](mailto:admin@speedqueenlaundry.com.au)

### **QLD, NT**

F L Costello & Co (Qld)  
2/18 Gravel Pit Road, Darra, QLD 4076  
Telephone (07) 3376 3869  
[www.speedqueenlaundry.com.au](http://www.speedqueenlaundry.com.au)  
Email [qld@speedqueenlaundry.com.au](mailto:qld@speedqueenlaundry.com.au)

### **VIC, SA, TAS**

Speed Queen Equipment Sales  
26 Theobald Street, Thornbury, VIC 3071  
Telephone (03) 9495 1300  
[www.speedqueensales.com.au](http://www.speedqueensales.com.au)  
Email [sales@speedqueensales.com.au](mailto:sales@speedqueensales.com.au)

### **WA**

F.L. Costello & Co Perth  
7/15 Walters Drive, Osborne Park, WA 6017  
Telephone (08) 9445 7744  
[www.speedqueenlaundry.com.au](http://www.speedqueenlaundry.com.au)  
Email [enquiry@speedqueenwa.com.au](mailto:enquiry@speedqueenwa.com.au)



**SPEEDQUEEN.COM.AU**