

N 70, Oven, Stainless steel  
B57CR22NOB



COOKING PASSION SINCE 1877



Built-in oven with SLIDE&HIDE® - unrestricted access to the oven interior.

- ✓ Slide&Hide® - the fully retracting oven door.
- ✓ CircoTherm® - Neff's outstanding hot-air system for simultaneous baking and roasting on up to 3 levels.
- ✓ The duo for perfect cleaning: Pyrolysis after heavy use - the oven interior cleans itself.
- ✓ EasyClean® - the environment-saving option for fast oven cleaning.
- ✓ ShiftControl - fast navigation through menus and simple operation with the TFT display.

Features

Technical Data

Color / Material Front : Stainless steel  
 Built-in / Free-standing : Built-in  
 Integrated Cleaning system : Hydrolytic, Pyrolytic  
 Required niche size for installation (HxWxD) : 585-595 x 560-568 x 550  
 Dimensions of the product (mm) : 595 x 596 x 548  
 Dimensions of the packed product (HxWxD) (mm) : 660 x 690 x 660  
 Control Panel Material : Stainless steel  
 Door Material : Glass  
 Net weight (kg) : 39.728  
 Usable volume of cavity (l) : 71  
 Cooking method : , 4D hot air, Bottom heat, Bread Baking Setting, Conventional heat, Dough proving setting, Full width grill, Half width grill, Hot Air-Eco, Hot air grilling, low temperature cooking, Pizza setting  
 First cavity material : Enamelled  
 Temperature control : electronic  
 Number of interior lights : 1  
 Approval certificates : CE, VDE  
 Length electrical supply cord (cm) : 120  
 EAN code : 4242004181897  
 Number of cavities (2010/30/EC) : 1  
 Energy efficiency class (2010/30/EC) : A+  
 Energy consumption per cycle conventional (2010/30/EC) : 0.87  
 Energy consumption per cycle forced air convection (2010/30/EC) : 0.69  
 Energy efficiency index (2010/30/EC) : 81.2  
 Connection Rating (W) : 3450  
 Current (A) : 16  
 Voltage (V) : 220-240  
 Frequency (Hz) : 60; 50  
 Plug type : no plug

Included accessories

2 x combination grid, 1 x universal pan

Optional accessories

- Z11SZ00X0 SeamlessCombination mounting kit
- Z11SZ80X0 SeamlessCombination 60 + 29cm
- Z11SZ90X0 SeamlessCombination 60 + 45cm
- Z11TC10X0 ComfortFlex Rail (1 level)
- Z11TC16X0 ComfortFlex Rail (1 level)
- Z12CB10A0 Baking tray, anthracite enamelled
- Z12CM10A0 Moussaka pan, anthracite enamelled
- Z12CU10A0 Multipurpose pan, anthracite enamelled
- Z12TF36X0 3 level telescopic rails, full ext,pyro
- Z1913X0 Baking Stone



# N 70, Oven, Stainless steel

B57CR22NOB

## Features

### Heating Functions

- Oven with 12 heating methods:
  - Hot Air
  - CircoTherm® Eco
  - Top/bottom heating
  - Top/bottom heating Eco
  - Circo-roasting
  - Full surface grill
  - Centre area grill
  - CircoTherm® Intensive
  - Bread Baking
  - Bottom heating
  - Low temperature cooking
  - Dough proving
- Temperature range 40 °C - 275 °C
- Cavity volume: 71 net usable litres

### Design

- Illuminated ShiftControl
- Anthracite enamel cavity with 4 shelf positions

### Cleaning

- Pyrolytic self cleaning
- EasyClean® Cleaning aid programm
- Full glass inner door - safer touch door

### Convenience

- 2.5" colour and text Display with ShiftControl
- Temperature proposal
  - Optical temperature control
  - Actual temperature display
  - Sabbath setting
- Additional functions:
  - Steam cooking function (system steamer accessory required)
- Slide&Hide® door, SoftOpen
- Electronic clock
- Rapid heating-up
- Halogen lighting
- Cooling fan
- Stainless-steel fan
- Info button
- Revolution handle

### Hook-in racks / rails

- Cavity with shelf support rails, Telescopic slide-out Accessory

### Accessories

- 2 x combination grid, 1 x universal pan

### Safety and Environment

- Individual adjustable child lock
  - Safety switch off
  - Residual heat indicator start button
  - Door contact switch
- Quadruple glazed CoolTouch door

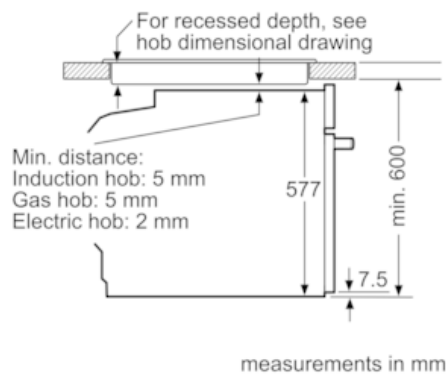
### Technical Info

- Length of mains cable: 120 cm
- Total connected load electric: 3.45 KW
- Appliance dimensions (HxWxD): 595 mm x 596 mm x 548 mm
- Installation dimensions (HxWxD): 585 mm - 595 mm x 560 mm - 568 mm x 550 mm
- Please reference the built-in dimensions provided in the installation drawing

N 70, Oven, Stainless steel  
B57CR22NOB

Dimensioned drawings

Installation with a hob.



If the appliance will be installed underneath a hob, the following worktop thicknesses (including substructure if necessary) must be taken into account.

Hob type	min. worktop thickness	
	fitted	flush
Induction hob	37 mm	38 mm
Full surface Induction hob	47 mm	48 mm
Gas hob	30 mm	38 mm
Electric hob	27 mm	30 mm

