

ICBOG54

FEATURES

- Six individually contained grill burners for versatile cooking
- Utilizes both direct and radiant heat for more thorough grilling
- Three-position warming rack for the exact temperature you want
- Available built-in only
- Two-position rotisserie handles foods big and small
- Infrared sear zone seals in juices and flavors
- Rigorously tested for decades of use
- Exceptional support from our Customer Care team
- Halogen lights for night-time grilling
- Double-wall hood front holds in heat
- Hood assist system makes opening and closing easy
- Electric hot surface ignition for reliable start ups
- Stainless steel burner grates

ACCESSORIES

- Canvas covers
- Griddle Plate
- Black control knob(s)

Accessories available through an authorized dealer.
For local dealer information, visit subzero-wolf.com/locator.



KNOB OPTIONS



GRILL SPECIFICATIONS

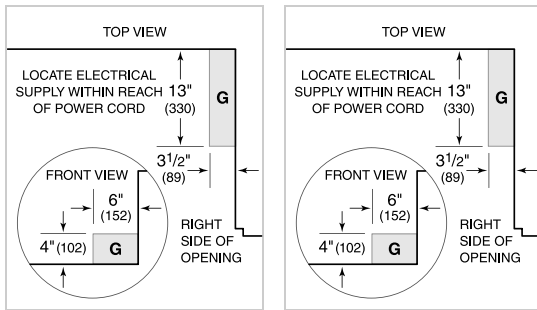
- 3 - 29 MJ Burners
- 2 - 15 MJ Rotisserie Burners
- 1 - 29 MJ Sear Burner

PRODUCT SPECIFICATIONS

Model	ICBOG54
Dimensions	1372mmW x 686mmH x 762mmD
Weight	159 kg
Electrical Supply	220-240 VAC; 50/60 Hz
Electrical Service	10 amp dedicated circuit
Gas Supply	19 mm minimum
Gas Inlet	13 mm

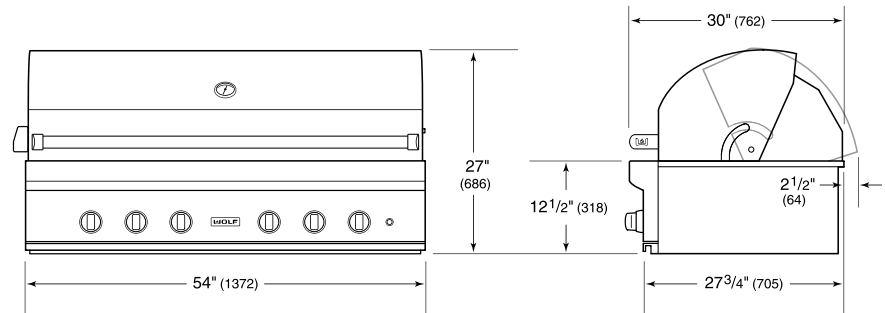
ELECTRICAL

GAS

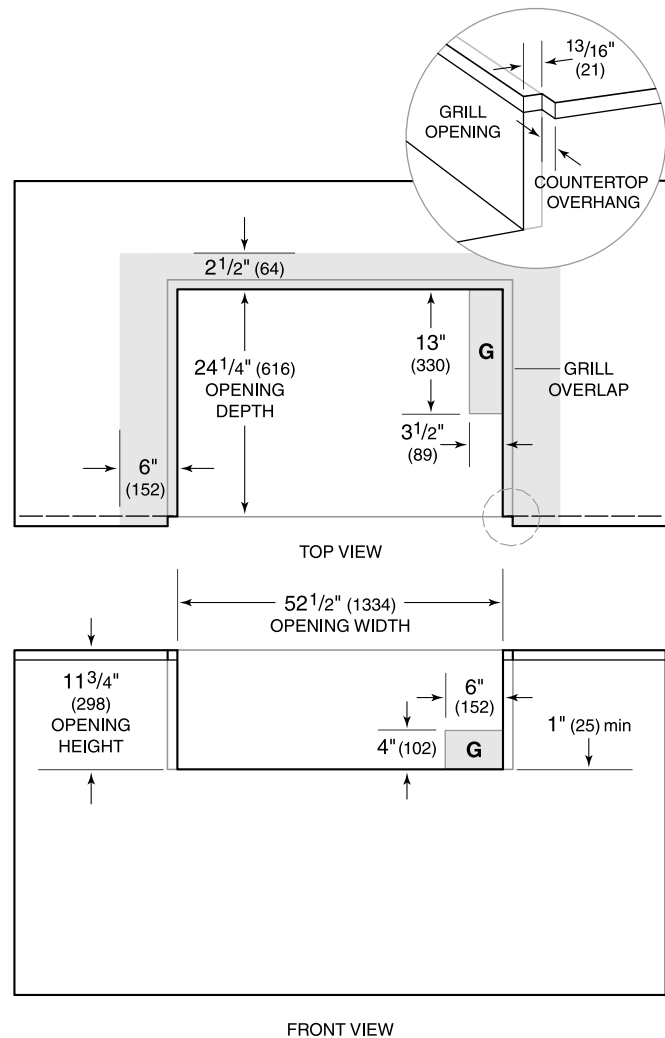


NOTE: Dimensions in parenthesis are in millimeters unless otherwise specified

DIMENSIONS



STANDARD INSTALLATION



NOTE: Shaded area above countertop indicates minimum clearance to combustible surfaces, combustible materials cannot be located within this area.

GUIDE ONLY.

THESE SPECIFICATIONS ARE A GUIDE ONLY. Not suitable for cabinetry, installation or services location. SUB-ZERO AND WOLF OFFER A CUSTOMISED DESIGN CHECK SERVICE to ensure your new appliances are installed perfectly. Please contact our Customer Care team for further information regarding our Design Check Service, or for detailed product specification and installation advice. Phone: 03 9600 2218 Email: enquiries@subzero.com Sub-Zero and Wolf Design Guides are also available via our website: www.subzero-wolf.com.au