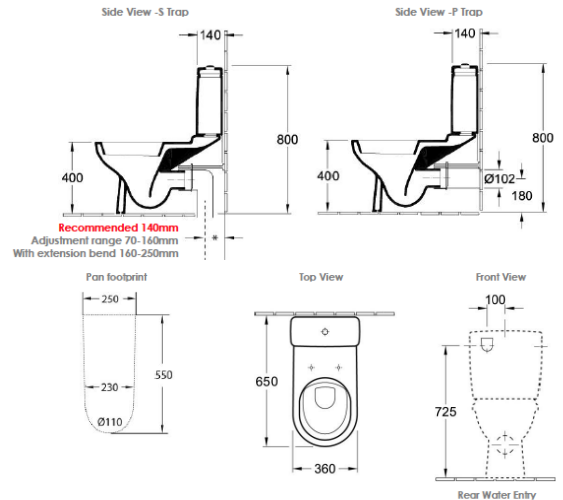




## O.NOVO BTW TOILET SUITE

Product Image	Technical Specification
---------------	-------------------------



<b>Water Entry:</b>	Rear water entry requires ½" BSP male thread extending 10mm past the finished wall			
<b>*S-Trap Set-out options</b>	<b>Distance from finished wall to centre of soil pipe</b>	<b>Vario Bend required</b>		<b>Installation Notes</b>
Recommended	140mm	50015P	Supplied standard with S-trap Suites	To be cut to required length on-site
Standard Adjustment Range	70-160mm	50015P	Supplied standard with S-trap Suites	To be cut to required length on-site
With extension bend	160-250mm	8702	Order separately with P-Trap Suite	To be cut to required length on-site - Requires installation into DWV pipe (adaptor supplied) or into a pan collar installed flush with the finished floor
<b>Flushing Options:</b>	4.5/3L toilets can be easily converted to 6/3L on-site where it is approved to do so; one-click conversion instructions are included inside the cistern			

### Description

O.novo BTW Toilet Suite with Rear Water Entry & Soft Closing Seat

<b>56580101S4DB</b>	S-Trap
<b>565801R1S4DB</b>	S-Trap with CeramicPlus
<b>56581001S4B</b>	P-Trap
<b>565810R1S4B</b>	P-Trap with CeramicPlus

### Additional Information

- 5 Year Warranty \*Conditions Apply

**Soft Closing**

Villeroy & Boch

**Ceramic Plus**

Villeroy & Boch

